



Chipsmall Limited consists of a professional team with an average of over 10 year of expertise in the distribution of electronic components. Based in Hongkong, we have already established firm and mutual-benefit business relationships with customers from,Europe,America and south Asia,supplying obsolete and hard-to-find components to meet their specific needs.

With the principle of “Quality Parts,Customers Priority,Honest Operation,and Considerate Service”,our business mainly focus on the distribution of electronic components. Line cards we deal with include Microchip,ALPS,ROHM,Xilinx,Pulse,ON,Everlight and Freescale. Main products comprise IC,Modules,Potentiometer,IC Socket,Relay,Connector.Our parts cover such applications as commercial,industrial, and automotives areas.

We are looking forward to setting up business relationship with you and hope to provide you with the best service and solution. Let us make a better world for our industry!



## Contact us

Tel: +86-755-8981 8866 Fax: +86-755-8427 6832

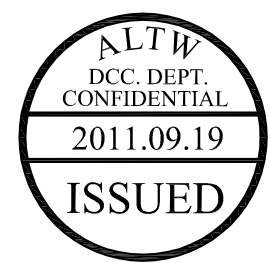
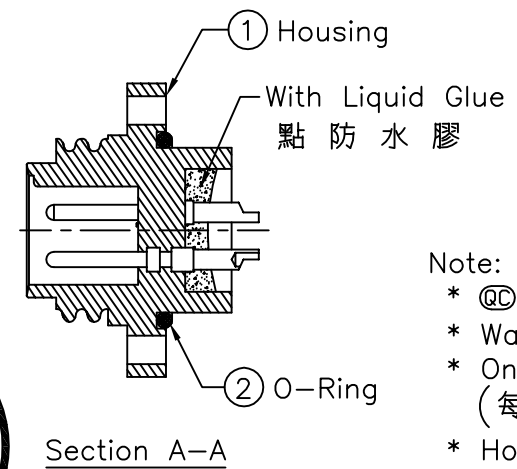
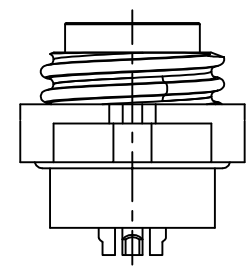
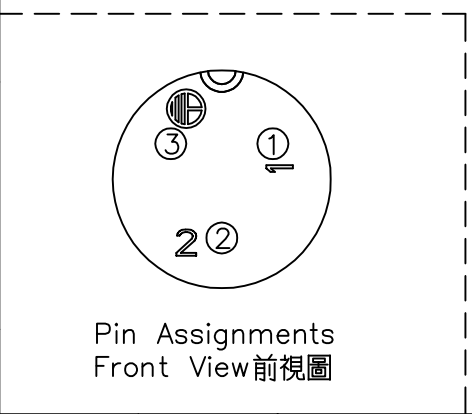
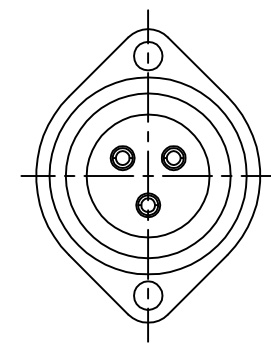
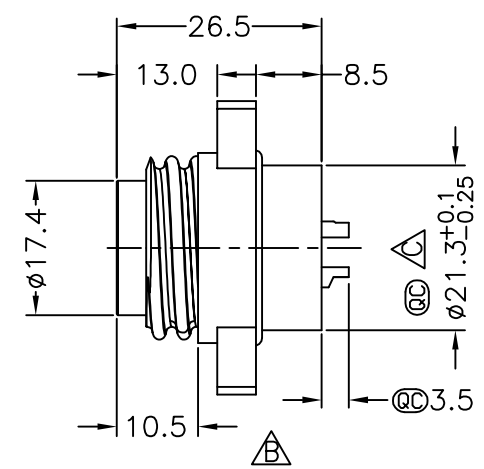
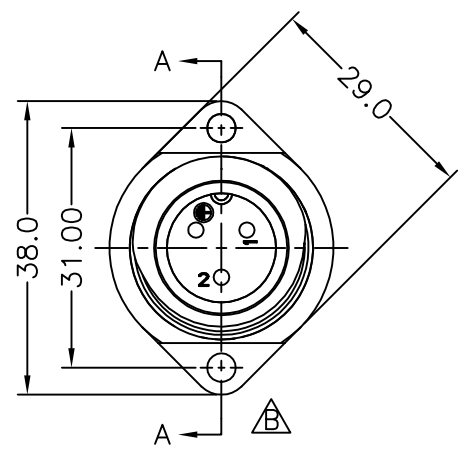
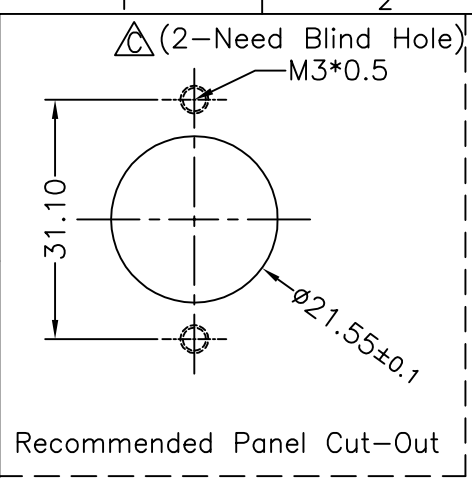
Email & Skype: info@chipsmall.com Web: www.chipsmall.com

Address: A1208, Overseas Decoration Building, #122 Zhenhua RD., Futian, Shenzhen, China



THIS DOCUMENT IS SUBJECT TO CHANGE WITHOUT NOTICE. IT IS CONFIDENTIAL AND A PROPERTY OF Amphenol LTW. DISCLOSURE TO THIRD PARTY HAS TO BE AUTHORIZED BY Amphenol LTW.

REV.	ECN NO.	DATE	SIGN	DESCRIPTION
B	LEN-750082	2006/11/23	Hu Min	Change Size
C	LEN1190166	2011/08/26	Tony	Modify Dimension & Note



- Note:
- \* @@Important Dimension.
  - \* Waterproof Rate : IP67
  - \* One Set in One LTW Sealed Bag (每一組裝, 放置於一個 LTW封口袋)
  - \* Housing:Nylon+GF,Black.
  - \* Male pin:Copper Alloy,Gold Plated
  - \* O-Ring:Silicone 60,Gray.
  - \* Liquid Glue:Clear.

UNIT:mm		TITLE Power,Panel Screw 3Pin M Conn M Pin	<b>Amphenol LTW</b>		ITEM NO PWF-03PMMS-SC7001	DRAWN BY Tony	DATE 2011/08/26
TOLERANCE .X ±0.25 .XX ±0.1 .XXX ±0.05 ANGLES ±1°	SCALE Free	SHEET 1 OF 1	<b>安費諾亮泰企業股份有限公司</b>		DWG NO PWF-03PMMS-SC7001	CHECKED BY Chang	DATE 2011/08/30
REV. C	SIZE A4	@C :Inspection Item			CUSTOMER ALTW	APPROVED BY LUKE	DATE 2011/08/30