



Chipsmall Limited consists of a professional team with an average of over 10 year of expertise in the distribution of electronic components. Based in Hongkong, we have already established firm and mutual-benefit business relationships with customers from,Europe,America and south Asia,supplying obsolete and hard-to-find components to meet their specific needs.

With the principle of “Quality Parts,Customers Priority,Honest Operation,and Considerate Service”,our business mainly focus on the distribution of electronic components. Line cards we deal with include Microchip,ALPS,ROHM,Xilinx,Pulse,ON,Everlight and Freescale. Main products comprise IC,Modules,Potentiometer,IC Socket,Relay,Connector.Our parts cover such applications as commercial,industrial, and automotives areas.

We are looking forward to setting up business relationship with you and hope to provide you with the best service and solution. Let us make a better world for our industry!



Contact us

Tel: +86-755-8981 8866 Fax: +86-755-8427 6832

Email & Skype: info@chipsmall.com Web: www.chipsmall.com

Address: A1208, Overseas Decoration Building, #122 Zhenhua RD., Futian, Shenzhen, China



Dialight

PWMR CIRCULAR LIGHT ENGINE MODULE PWMR/PWMRD



APPLICATION

- ▲ Spot lighting
- ▲ Accent lighting
- ▲ General illumination
- ▲ Interior use only
- ▲ Architectural lighting
- ▲ Machine vision
- ▲ Display cases

All applications require additional heatsink. For factory fitted heatsink see MR16 / MR16-LV datasheet.

ORDERING INFORMATION

PWMRD-C1-AA-BB	
Typical Colour (AA) Temperature	Options
CW = 5000K – 6350K	Blank = no onboard driver
NW = 3800K – 4100K	
WW = 2850K – 3250K	
Optic (BB)	D = with onboard driver
SP = 7 degree spot	
WD = 13 degree wide <i>All angles are half divergence</i>	

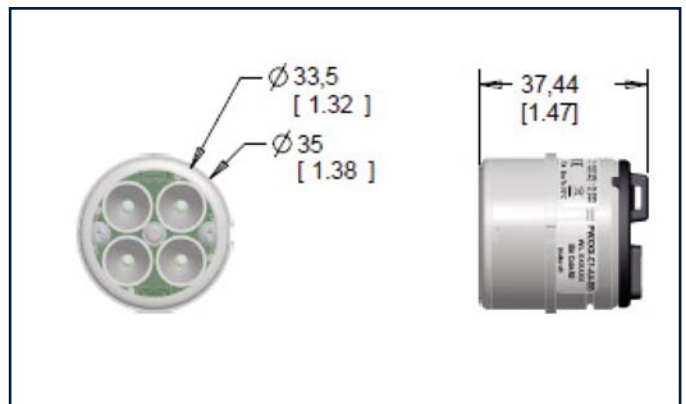
FEATURES / BENEFITS

- ▲ Utilizes 4 premium flux LUXEON® Rebel™ LEDs, 100+ lumens for cool white, 100+ lumens for neutral white and 50+ lumens for warm white
- ▲ Allows for custom heatsink or fixture design
- ▲ ETL recognized to UL standards (pending)
- ▲ Available in choice of colours & colour temperatures
- ▲ Quick connect terminal blocks for easy installation
- ▲ >70% lumen maintenance @ 50,000 hours at max operating temperature. Better at lower operating temps!

MATERIALS / FINISH

- ▲ **Casing** - ADC10 Aluminium Alloy
- ▲ **Finish** - Anodised Satin Silver
- ▲ **Connection** - Cage Clamp Connectors
- ▲ **Optics** - Dialight-Lumidrive Optics
- ▲ **Lens Cover** - Polycarbonate 143R
- ▲ **Rear Cover** - Polycarbonate 143R

MECHANICAL DIMENSIONS



Diameter x H
35.0mm x 37.5mm (1.38" x 1.48")
Maximum Cable Dia - 1.5mm² / 16 AWG

Dialight Europe Ltd

Exning Road • Newmarket • Suffolk, United Kingdom, CB8 0AX
Tel :+44 (0)1638 666541 • www.dialight.com



Dialight Corporation

1501 Route 34 South • Farmingdale, NJ 07727 USA
Tel: (1) 732-919-3119 • Fax: (1) 732-751-5778 • www.dialight.com



MDEXLUMPWMR_A

OPERATING CHARACTERISTICS

Model / Colour	Typical Total Lumen Output		Power Consumption		Drive Current / Operating Current	Input Voltage
	350mA / LV	700mA	350mA / LV	700mA	mA	
PWMR / CW	400	720	4.8W	9.6W	350 - 700	*13.5 -16VDC
PWMR / NW	400	720				
PWMR / WW	200	380				
PWMRD / CW	400	-	5.0W	-	**300mA	24VDC
PWMRD / NW	360	-				
PWMRD / WW	200	-				

Note: Lumen output based on manufacturers data

*Based on max Vf of 4.0V

**1.2A for initial switch on

OPERATING CONDITIONS

- ▲ Max case temp = 85°C @ 350mA
- ▲ PWMR requires constant current driver
PWMRD requires constant voltage driver
(See compatibility list)
- ▲ Max drive current 700mA (constant current version)
- ▲ Modules require additional heatsinking for lumen maintenance figures.
- ▲ IP20 rating

HEATSINK PERFORMANCE NOTE

Any custom designed heatsink must maintain a maximum case temperature of 85°C or less for the required working ambient temperature.

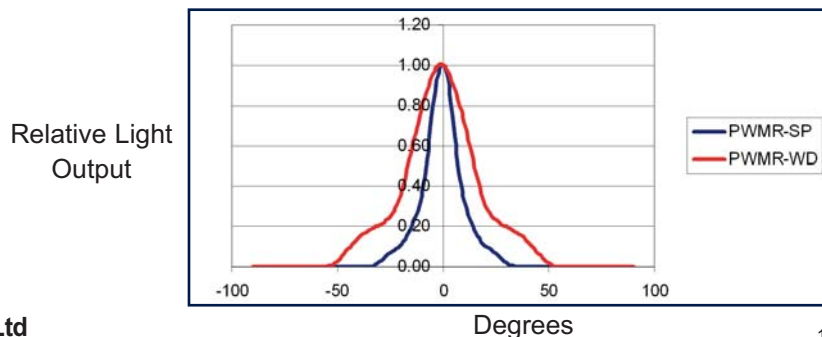
COMPATIBLE DRIVERS

Compatible Constant Current Dialight Lumidrive Drivers:-				Compatible Dialight Lumidrive Constant Voltage DC Drivers:-		
Driver	350mA	700mA	NO. OF UNITS	Driver	24V	NO. OF UNITS
MDU 4 (MDU4-SC-35)	✓	N/A	1	MULTIDRIVER (MLD8-C-35-70)	✓	1
MDU 9 (MDU9-SC-70)	✓	✓	1** / 2*	MVDU25-24-P	✓	4
VARIABLED (MDE16-C-VRL)	✓	✓	2** / 4*	MVDU100-24-P	✓	1-16
MULTIDRIVER (MLD8-C-35-70)	✓	✓	2			
MINIDIM 70 (MND70)	✓	✗	1** / 2*			

*at 350mA / **at 700mA

Check with Dialight website for updates on LED drivers

PHOTOMETRIC DATA



Dialight Europe Ltd

Exning Road • Newmarket • Suffolk, United Kingdom, CB8 0AX

Tel :+44 (0)1638 666541 • www.dialight.com



Dialight Corporation

1501 Route 34 South • Farmingdale, NJ 07727 USA

Tel: (1) 732-919-3119 • Fax: (1) 732-751-5778 • www.dialight.com



MDEXLUMPWMR_A

Datasheet subject to change without notice.

Please visit www.dialight.com for updates.