



Chipsmall Limited consists of a professional team with an average of over 10 year of expertise in the distribution of electronic components. Based in Hongkong, we have already established firm and mutual-benefit business relationships with customers from,Europe,America and south Asia,supplying obsolete and hard-to-find components to meet their specific needs.

With the principle of “Quality Parts,Customers Priority,Honest Operation,and Considerate Service”,our business mainly focus on the distribution of electronic components. Line cards we deal with include Microchip,ALPS,ROHM,Xilinx,Pulse,ON,Everlight and Freescale. Main products comprise IC,Modules,Potentiometer,IC Socket,Relay,Connector.Our parts cover such applications as commercial,industrial, and automotives areas.

We are looking forward to setting up business relationship with you and hope to provide you with the best service and solution. Let us make a better world for our industry!



Contact us

Tel: +86-755-8981 8866 Fax: +86-755-8427 6832

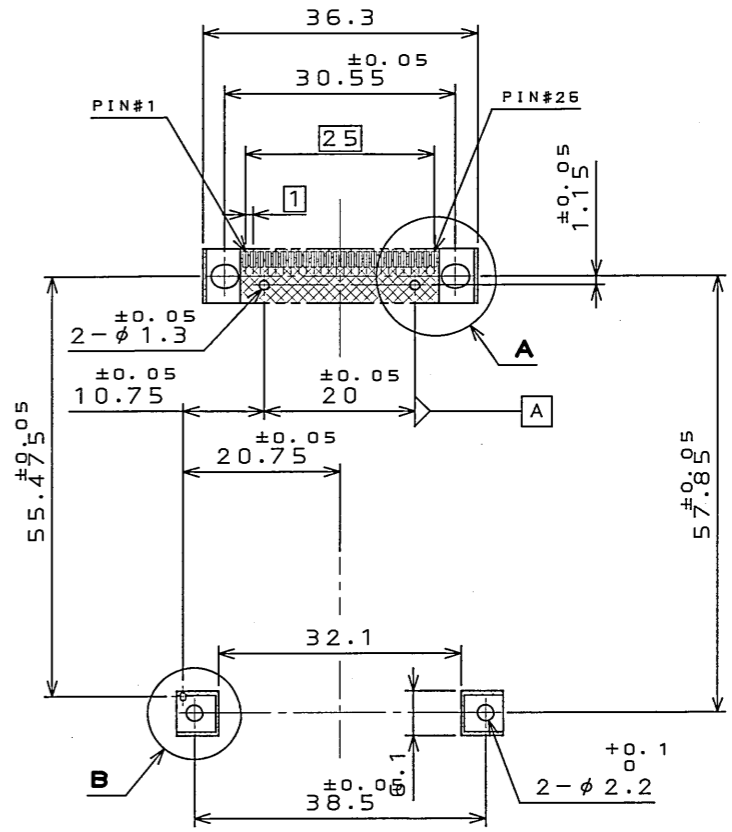
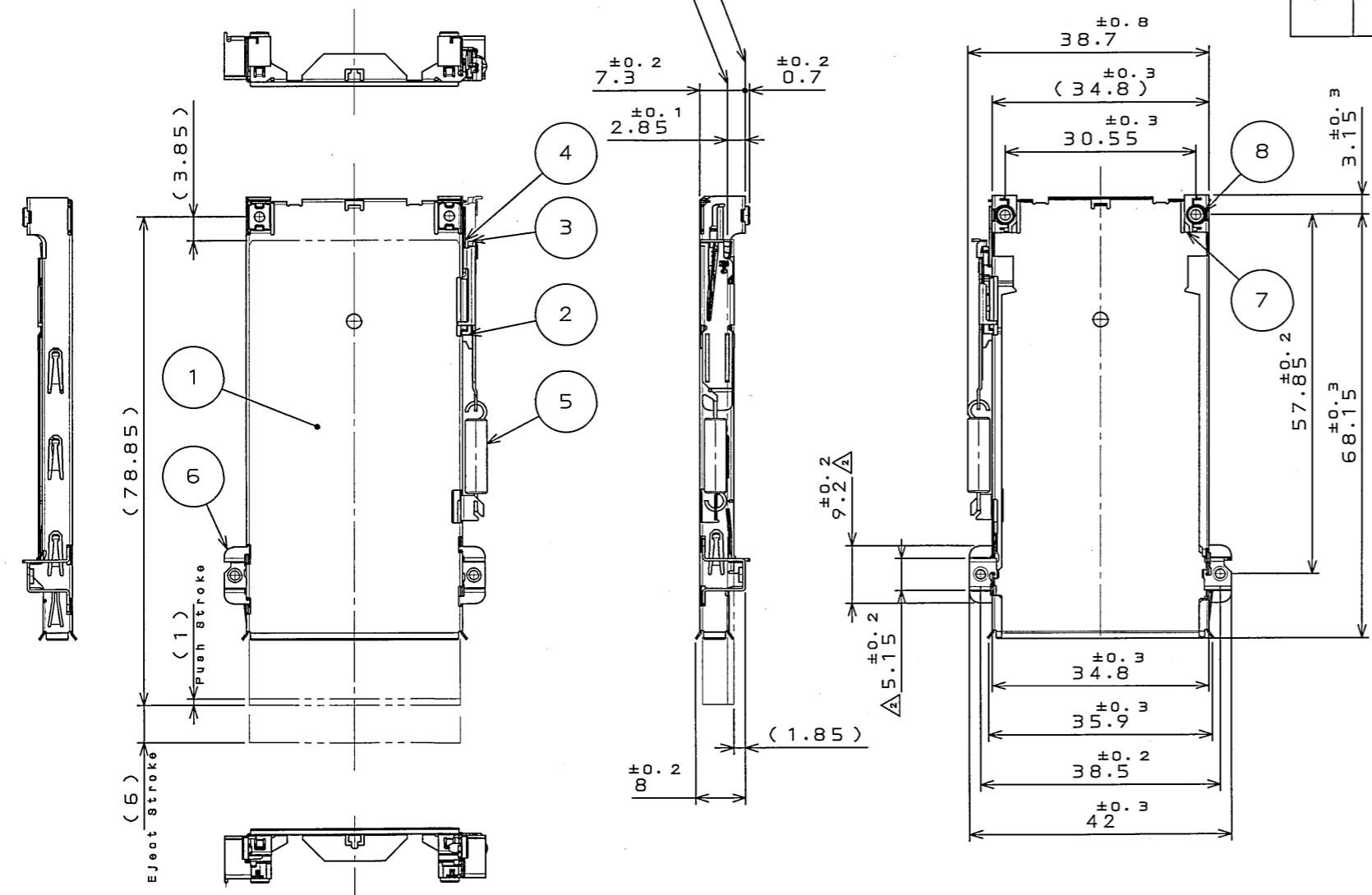
Email & Skype: info@chipsmall.com Web: www.chipsmall.com

Address: A1208, Overseas Decoration Building, #122 Zhenhua RD., Futian, Shenzhen, China



6Z12129
SJ102129
(ON DRAWING NO.)

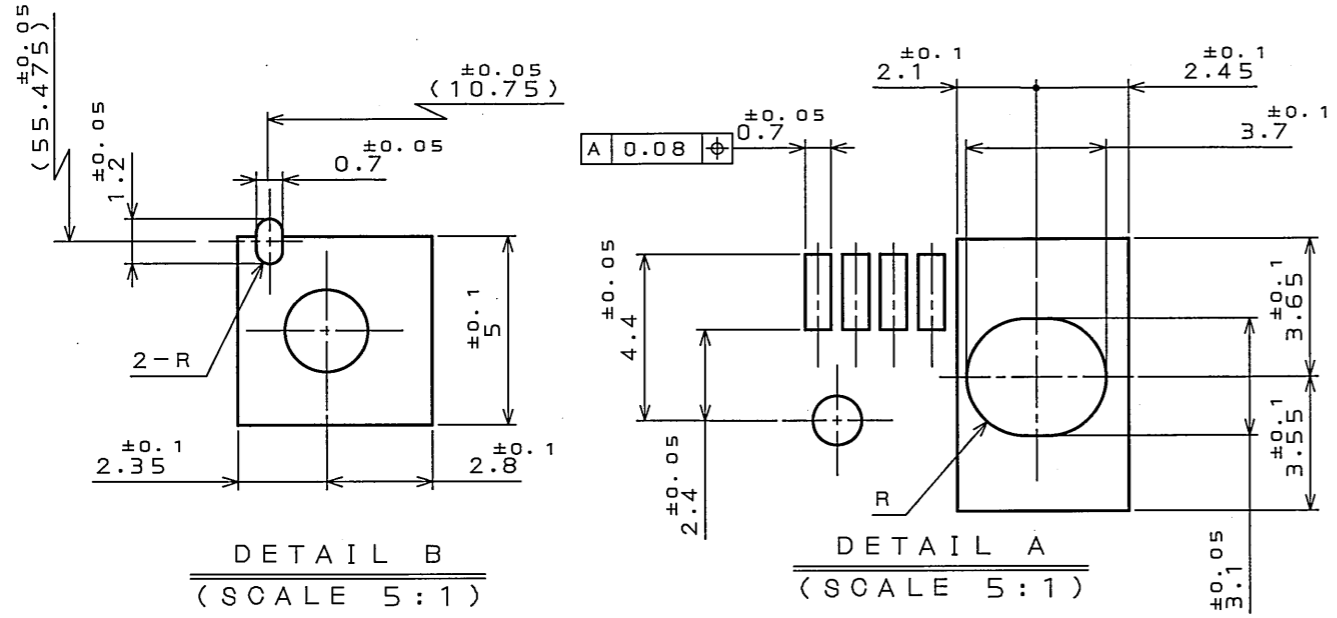
版数 REV.	年月日 DATE	DCN NO.	変更内容 DESCRIPTION	製図 DR.	担当 CHK.	査閲 APPD.	承認 APPD.
2	11.May.2005	056979	CHANGED PART		K.NAKAMURA	—	A.Kimura



APPLICABLE P.C.B. DIMENSION (REF.)
適合基板寸法(参考)

注1.本品はPX10BSB16(SJ100884)と組合せて使用します。
注2.取扱い説明書(JAHL-10227)を参照ください。
Note1.This product mates with PX10BSB16(SJ100884).
Note2.Please refer Instruction Manual(JAHL-10227).

符号 NO.	名称 DESCRIPTION	個数 QTY.	材料 MATERIAL	仕上 FINISH	備考 REMARKS
8	Boss	2	Aluminum		
7	Stopper	2	PBT		
6	Nutplate Δ	2	SUS		M2
5	Spring	1	SUS Δ		
4	Slider	1	SUS		
3	Cam follower	1	SUS		
2	Heart-Cam	1	PBT		
1	Frame	1	SUS		



仕様書 (SPECIFICATION) JACS-10227	第1版 (ORIGINAL DATE) 12.Oct.2004	尺度 (SCALE) 1:1	シリーズ (SERIES) PX11	日本航空電子工業株式会社 JAPAN AVIATION ELECTRONICS INDUSTRY, LTD.
製図 DR.	担当 CHK. K.NAKAMURA	名称 (TITLE) PX11FS16NH		
公差 (GENERAL TOLERANCE)	査閲 APPD.	質量 (MASS)		図面番号 (DRAWING NO.) SJ102129
寸法 (DIMENSION)	承認 APPD. A.KIMURA	質量 (MASS)		

DOF-0-212E(03.08)

