



Chipsmall Limited consists of a professional team with an average of over 10 year of expertise in the distribution of electronic components. Based in Hongkong, we have already established firm and mutual-benefit business relationships with customers from,Europe,America and south Asia,supplying obsolete and hard-to-find components to meet their specific needs.

With the principle of "Quality Parts,Customers Priority,Honest Operation,and Considerate Service",our business mainly focus on the distribution of electronic components. Line cards we deal with include Microchip,ALPS,ROHM,Xilinx,Pulse,ON,Everlight and Freescale. Main products comprise IC,Modules,Potentiometer,IC Socket,Relay,Connector.Our parts cover such applications as commercial,industrial, and automotives areas.

We are looking forward to setting up business relationship with you and hope to provide you with the best service and solution. Let us make a better world for our industry!



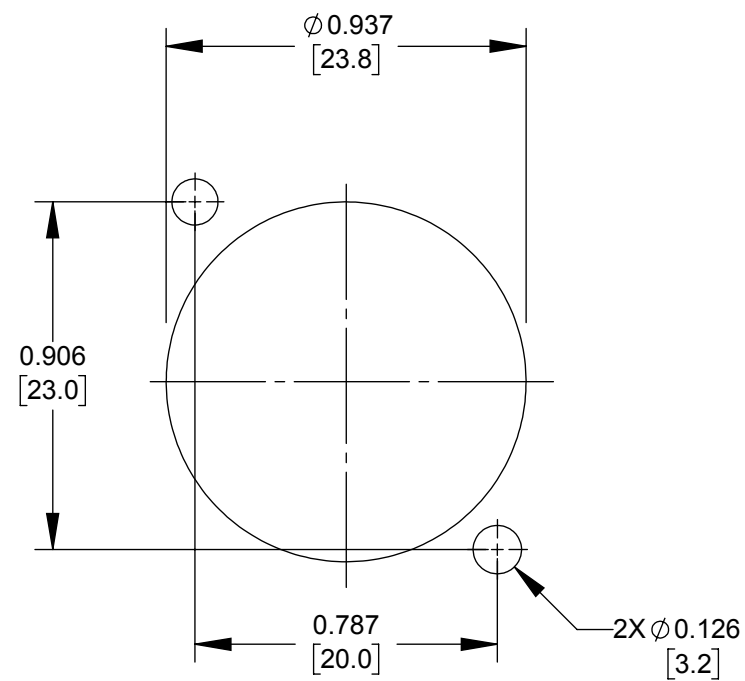
Contact us

Tel: +86-755-8981 8866 Fax: +86-755-8427 6832

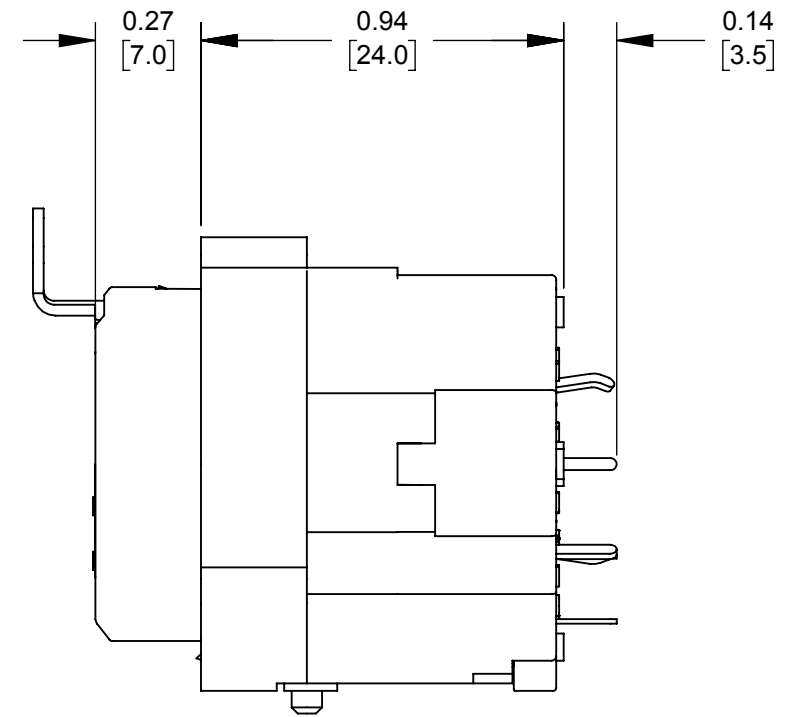
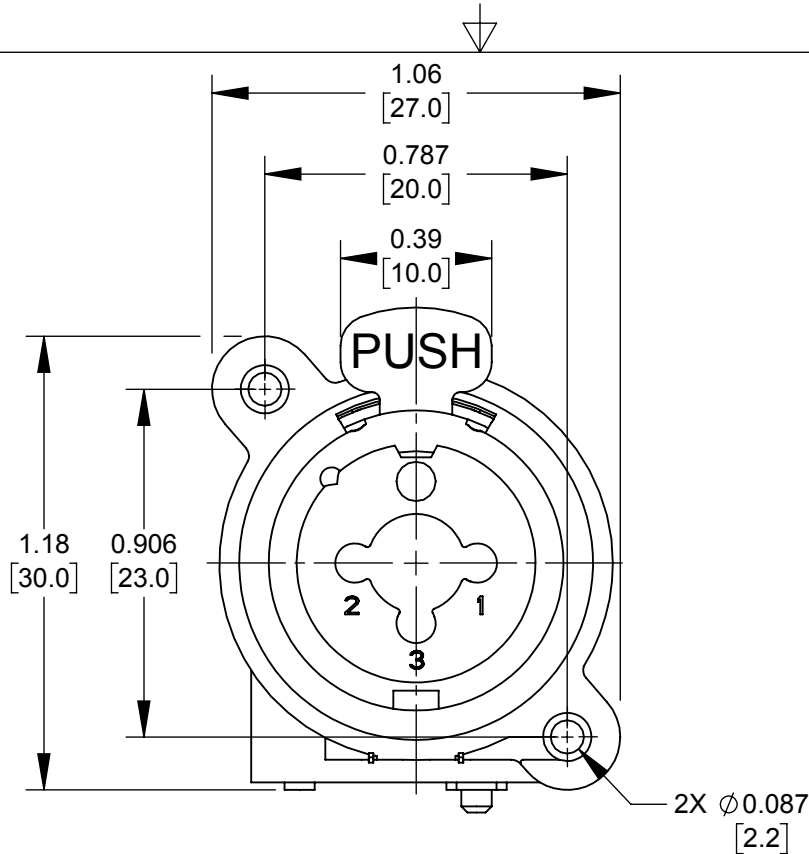
Email & Skype: info@chipsmall.com Web: www.chipsmall.com

Address: A1208, Overseas Decoration Building, #122 Zhenhua RD., Futian, Shenzhen, China



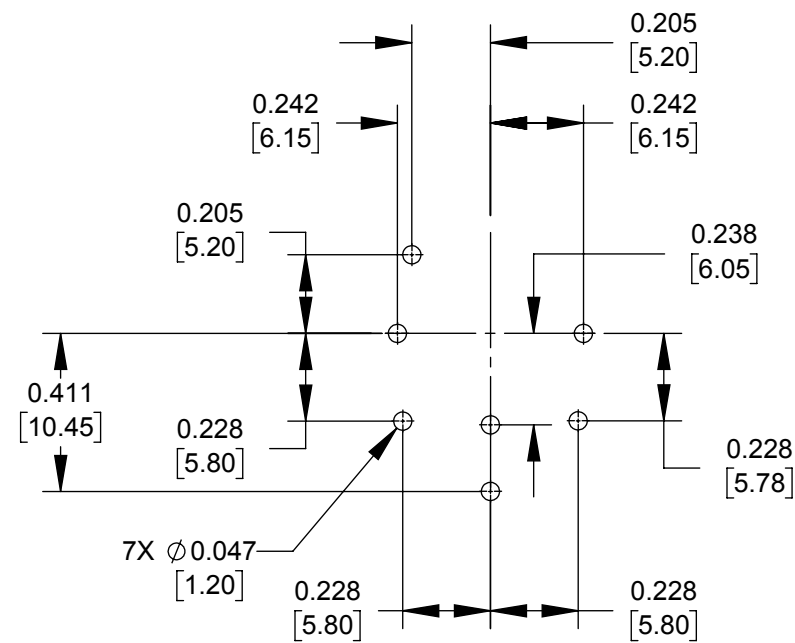


PANEL CUT OUT (FRONT SIDE)

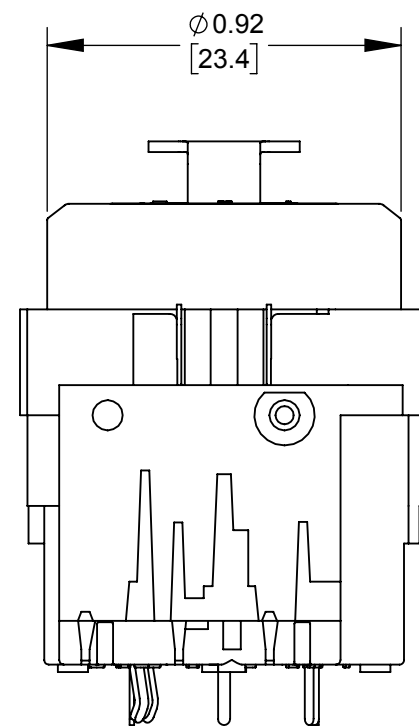


NOTES:

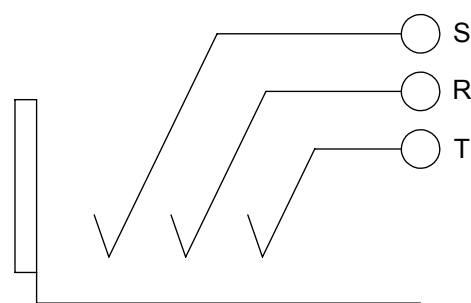
- MATERIALS:
 HOUSING - BLACK THERMOPLASTIC
 CONTACTS - COPPER ALLOY GOLD PLATED
 PUSH BUTTON/SPRING - COPPER ALLOY NICKEL PLATED
 GROUND SPRING - COPPER ALLOY SILVER PLATED
- OPERATING SPECS:
 OPERATING/STORAGE TEMP: -30°C TO 80°C
 RATED VOLTAGE/RATE CURRENT: 50V/7.5A
 INSULATION RESISTANCE: 1/4 JACK: 100MΩ, XLR: INTIAL 2GΩ, AFTER DAMP HEAT:>0.5GΩ
 CONTACT RESISTANCE: **1/4 JACK:** 50mΩ, **XLR:** 30mΩ
 DIELECTRIC STRENGTH: **1/4 JACK:** 0.5mA, AC 500V. **XLR:** 0.5mA, AC 500V
 LIFE: **1/4 JACK:** 2,000 CYCLES, **XLR:** 1000 CYCLES
- THIS PRODUCT IS RoHS COMPLIANT



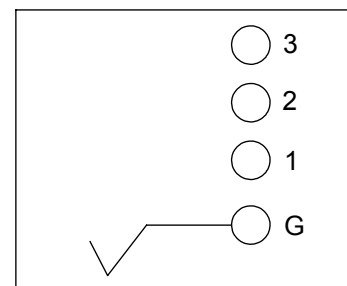
PCB-LAYOUT COMPONENT SIDE



JACK SCHEMATIC



XLR SCHEMATIC



REV	ECO NUMBER	DATE	BY	APVD
A	27996	2/8/18	TJK	TJK
REVISIONS				

UNLESS OTHERWISE SPECIFIED				
1. ALL DIMENSIONS IN INCHES [mm]				
- TWO PLACE DECIMALS ±0.02 [0.5]				
- THREE PLACE DECIMALS ±0.005 [0.13]				
DO NOT SCALE DRAWING				

THIS DRAWING DESCRIBES A DESIGN CONSIDERED PROPRIETARY IN NATURE, DEVELOPED AND MANUFACTURED BY SWITCHCRAFT INC. AND IS RELEASED ON A CONFIDENTIAL BASIS FOR IDENTIFICATION PURPOSES ONLY.										
SIZE	WIDTH	MULT	LBS/M	TEMPER						
FINISH SPEC No.					MATERIAL SPEC No.					
FIRST USED ON					SCALE 2:1					
DATE DRAWN	BY	CHKD	APVD							
1/8/17	AB	AB	TJK							
			1/8/17	2/16/18						
NAME 1/4" PLUG AND 3 PIN XLR, COMBO JACK, STRAIGHT PC, RoHS								PART No. PXCST		REV A

CUSTOMER DRAWING