



Chipsmall Limited consists of a professional team with an average of over 10 year of expertise in the distribution of electronic components. Based in Hongkong, we have already established firm and mutual-benefit business relationships with customers from,Europe,America and south Asia,supplying obsolete and hard-to-find components to meet their specific needs.

With the principle of “Quality Parts,Customers Priority,Honest Operation,and Considerate Service”,our business mainly focus on the distribution of electronic components. Line cards we deal with include Microchip,ALPS,ROHM,Xilinx,Pulse,ON,Everlight and Freescale. Main products comprise IC,Modules,Potentiometer,IC Socket,Relay,Connector.Our parts cover such applications as commercial,industrial, and automotives areas.

We are looking forward to setting up business relationship with you and hope to provide you with the best service and solution. Let us make a better world for our industry!



Contact us

Tel: +86-755-8981 8866 Fax: +86-755-8427 6832

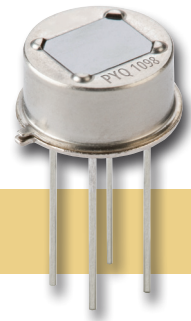
Email & Skype: info@chipsmall.com Web: www.chipsmall.com

Address: A1208, Overseas Decoration Building, #122 Zhenhua RD., Futian, Shenzhen, China



SMART PYROELECTRIC DETECTORS FOR SIMPLE MOTION SENSING

PYROELECTRIC DETECTORS FOR MOTION SENSING ■



PYQ 1098 – Four Element “Smart DigiPyro®”

Applications

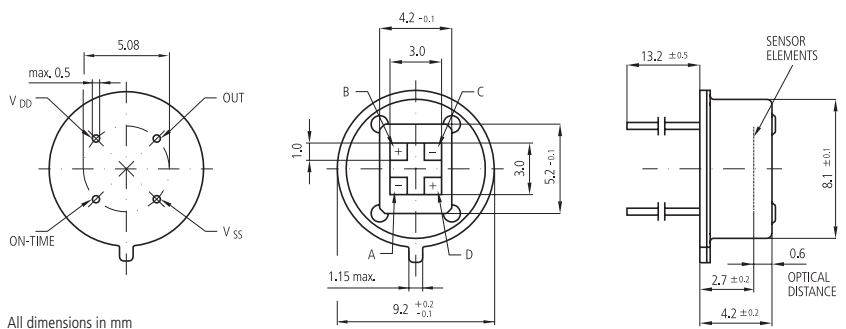
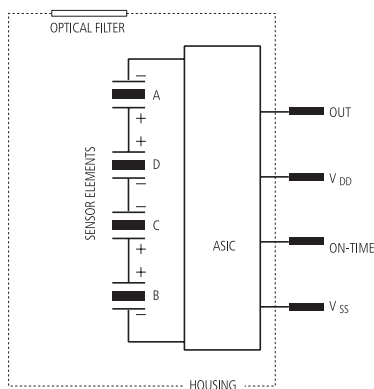
- Simple motion switches
- Auto light switch
- Wall switch

Features and Benefits

- TO-5 metal housing
- All electronics included

Product Description

The Smart DigiPyro® series offers a complete motion detector solution, with all electronic circuitry built into the detector housing. Only a power supply and power-switching components need to be added to make the entire motion switch, a timer is included. The series has versions which can include ambient light level and sensitivity adjustments.



All dimensions in mm

PYQ 1098 – Four Element “Smart DigiPyro®”

Parameter	Symbol	PYQ 1098	Unit	Remark
Responsivity, min.	R_{min}	3.3	kV/W	$f = 1 \text{ Hz}$
Responsivity, typ.	R	4.0	kV/W	$f = 1 \text{ Hz}$
Match, max.	M_{max}	10	%	
Noise, max.		80	μV_{pp}	0.4 ... 10 Hz / 20° C
Field of view, horizontal	FoV	115°		Unobstructed
Field of view, vertical	FoV	70°		Unobstructed
Operating voltage	V_{DD}	2.7 ... 3.3	V	
Supply current	I_{DDmax}	150	μA	$V_{DD} = 3.3\text{V}$
Digital Data				
ADC sensitivity		6 ... 7	$\mu\text{V}/\text{count}$	
Sensitivity threshold		120	μV_p	
On-time		2 ... 4096	s	
OEN (ambient light control)		-	V	
Output driving current		1	μA	
Filter, Signal Processing				
Digital filter, cut on		0.44	Hz	
Digital filter, cut off		7	Hz	