



Chipsmall Limited consists of a professional team with an average of over 10 year of expertise in the distribution of electronic components. Based in Hongkong, we have already established firm and mutual-benefit business relationships with customers from,Europe,America and south Asia,supplying obsolete and hard-to-find components to meet their specific needs.

With the principle of “Quality Parts,Customers Priority,Honest Operation,and Considerate Service”,our business mainly focus on the distribution of electronic components. Line cards we deal with include Microchip,ALPS,ROHM,Xilinx,Pulse,ON,Everlight and Freescale. Main products comprise IC,Modules,Potentiometer,IC Socket,Relay,Connector.Our parts cover such applications as commercial,industrial, and automotives areas.

We are looking forward to setting up business relationship with you and hope to provide you with the best service and solution. Let us make a better world for our industry!



## Contact us

Tel: +86-755-8981 8866 Fax: +86-755-8427 6832

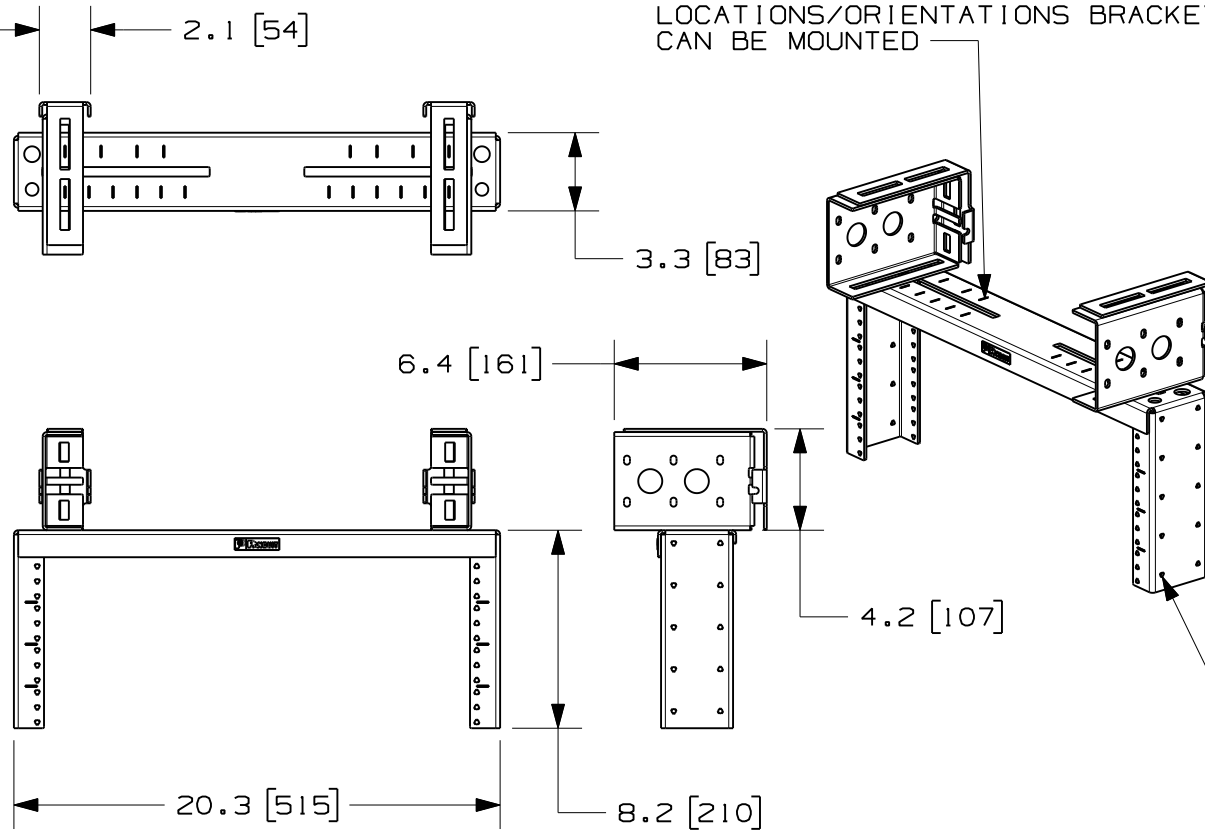
Email & Skype: info@chipsmall.com Web: www.chipsmall.com

Address: A1208, Overseas Decoration Building, #122 Zhenhua RD., Futian, Shenzhen, China



THIS COPY IS PROVIDED ON A RESTRICTED BASIS AND IS NOT TO BE USED IN ANY WAY DETRIMENTAL TO THE INTERESTS OF PANDUIT CORP.

MARKINGS CORRESPOND TO THE VARIOUS LOCATIONS/ORIENTATIONS BRACKETS CAN BE MOUNTED



PANDUIT PART NO.	WEIGHT
PZLRB4U	11.60 LBS/EACH 5.27 kgs/EACH

NOTES:

- SEE CURRENT CATALOG FOR ADDITIONAL PART NUMBER SUFFIXES TO INDICATE COLOR AND OR PACKAGE QUANTITY.
- SEE CATALOG FOR COMPLETE LIST OF PARTS APPLICABLE FOR USE WITH THIS PART.
- DIMENSIONS IN PARENTHESES ARE IN METRIC.
- PART INCLUDES:
  - 1- MAIN BRACKET
  - 2- RECTANGULAR BRACKETS
  - 2- L-SHAPED ATTACHMENT BRACKETS
  - 6- 3-8/16 HEX SERRATED FLANGE NUTS
  - 6- 3-8/16 CARRIAGE BOLTS
  - 4- #12-24 SCREWS (4 PACK)
- CABLE MANAGEMENT OPTIONS:
  - BEND RADIUS POSTS (PZBR4)
  - VERTICAL D-RINGS (CMVDR2)

HOLES FOR ATTACHING CABLE MANAGEMENT PRODUCTS (SEE NOTE 5)

MODEL FILENAME	V10521AP/00
CAD FILENAME/LAYERS	V10521AP_DC/00A

**PANDUIT** CORP. TINLEY PARK, ILLINOIS

PANZONE OVERHEAD DISTRIBUTION RACK (PZLRB4U) CUSTOMER DRAWING

UNLESS OTHERWISE SPECIFIED, DIMENSIONAL TOLERANCES ARE:	UNLESS OTHERWISE SPECIFIED, ALL DIMENSIONS ARE GIVEN IN INCHES, THIRD ANGLE PROJECTION.
INCHES X.X +/- 0.03 X.XX +/- 0.015 X.XXX +/- 0.005	[METRIC - MILLIMETER] X. +/- 0.8 X.X +/- 0.4 X.XX +/- 0.13 ANGLE +/- 1°

OOA	6-6-11	PM	SRK	RELEASED TO PRODUCTION	V10521AP-DC														
REV	DATE	BY	CHK	DESCRIPTION	ECN	R	CUST	SUP	OTH	CHK'D									

DRAWN BY	PM	MAT'L:	N/A	SCALE	1:8
DATE	6-6-11			DRAWING NO.	V10521AP-DC
CHK'D	SRK			DWG SIZE	A