



Chipsmall Limited consists of a professional team with an average of over 10 year of expertise in the distribution of electronic components. Based in Hongkong, we have already established firm and mutual-benefit business relationships with customers from,Europe,America and south Asia,supplying obsolete and hard-to-find components to meet their specific needs.

With the principle of "Quality Parts,Customers Priority,Honest Operation,and Considerate Service",our business mainly focus on the distribution of electronic components. Line cards we deal with include Microchip,ALPS,ROHM,Xilinx,Pulse,ON,Everlight and Freescale. Main products comprise IC,Modules,Potentiometer,IC Socket,Relay,Connector.Our parts cover such applications as commercial,industrial, and automotives areas.

We are looking forward to setting up business relationship with you and hope to provide you with the best service and solution. Let us make a better world for our industry!



Contact us

Tel: +86-755-8981 8866 Fax: +86-755-8427 6832

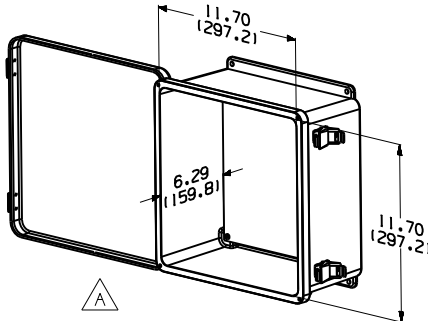
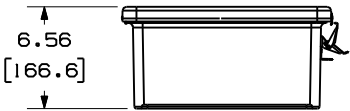
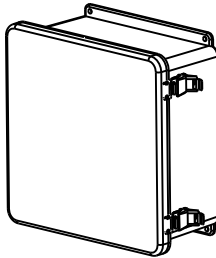
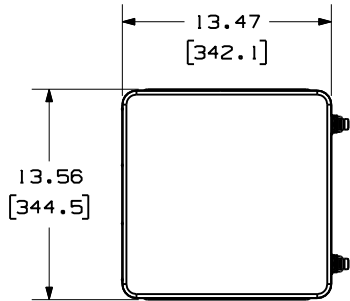
Email & Skype: info@chipsmall.com Web: www.chipsmall.com

Address: A1208, Overseas Decoration Building, #122 Zhenhua RD., Futian, Shenzhen, China



THIS COPY IS PROVIDED ON A RESTRICTED BASIS AND IS NOT TO BE USED IN ANY WAY DETRIMENTAL TO THE INTERESTS OF PANDUIT CORP.

PANDUIT P/N	WEIGHT
PZNWE12 PZNWE12S	4.8 LB/EACH PC (2177.2 g/EACH PC)



NOTES:

- SEE CURRENT CATALOG FOR ADDITIONAL PART NUMBER SUFFIXES TO INDICATE COLOR AND OR PACKAGE QUANTITY.
- SEE CATALOG FOR COMPLETE LIST OF PARTS APPLICABLE FOR USE WITH THIS PART.
- DIMENSIONS IN PARENTHESES ARE IN METRIC.
- PART INCLUDES:
 - 1- ENCLOSURE (FIBERGLASS)
 - 1- ALUMINUM MOUNTING PLATE - 10.88" X 10.88"
 - 1- MOUNT TEMPLATE
 - 1- NEMA CONNECTIVITY / HARDWARE KIT CONTAINING:
 - 1- CAT TX 6 PLUS JACK (PZNWE12)
 - 1- CAT TX 6 PLUS SHIELDED JACK (PZNWE12S)
 - 1- 2 POSITION SURFACE MOUNT BOX (CBXJ2WH-A)
 - 1- 2FT TX6 PLUS PATCH CORD (PZNWE12)
 - 1- 1M STP TX6 PLUS PATCH CORD (PZNWE12S)
 - 2- CABLE TIE MOUNTS (ABMM-A-C)
 - 4- PAN-TY (PLT1.5-C)
 - 1- SILICONE SEAL PACK
 - 6- #10 SELF TAPPING SCREW
 - 2 -#6 FLAT HEAD SCREW

DRAWING FILENAME	V10396AA_DC_00B.prt (1)	SIZE	A
------------------	-------------------------	------	---

PANZONE™ NEMA 4X / IP66 RATED
WIFI ENCLOSURE CUSTOMER DRAWING

<p>PANDUIT™ CORP. TINLEY PARK, ILL 60477</p>	I.I. NUMBER	N/A	
	PRODUCT SPEC	N/A	
<p>THIRD ANGLE PROJECTION</p>	WORK INSTRUCTION	N/A	
	SCALE	NONE	
<p>ALL DIMENSIONS ARE GIVEN IN INCHES, UNLESS OTHERWISE SPECIFIED.</p> <p>DIMENSIONAL TOLERANCES ARE: (.X) ± .XXX (.XXX) ± .010(.3) (.XX) ± .031(.8) ANGLES ±</p>	PART NO.	PZNWE12 PZNWE12S	
<p>DRAWN BY: RYB</p> <p>DATE: 11/14/06</p> <p>CHECKED BY: BAS</p>	MATERIAL:	FIBERGLASS	
		DRAWING NO.	10396-05

REV	DATE	BY	CHK	DESCRIPTION	ECN	R	CUST	SUP	OTH
01	1/16/07	RYB		A. ADDED INTERNAL VIEW & DIMS	10396-05				
00	11/14/06	RYB	BAS	RELEASED TO PRODUCTION	10396-05	BAS	BAS	BAS	BAS