



Chipsmall Limited consists of a professional team with an average of over 10 year of expertise in the distribution of electronic components. Based in Hongkong, we have already established firm and mutual-benefit business relationships with customers from,Europe,America and south Asia,supplying obsolete and hard-to-find components to meet their specific needs.

With the principle of "Quality Parts,Customers Priority,Honest Operation,and Considerate Service",our business mainly focus on the distribution of electronic components. Line cards we deal with include Microchip,ALPS,ROHM,Xilinx,Pulse,ON,Everlight and Freescale. Main products comprise IC,Modules,Potentiometer,IC Socket,Relay,Connector.Our parts cover such applications as commercial,industrial, and automotives areas.

We are looking forward to setting up business relationship with you and hope to provide you with the best service and solution. Let us make a better world for our industry!



Contact us

Tel: +86-755-8981 8866 Fax: +86-755-8427 6832

Email & Skype: info@chipsmall.com Web: www.chipsmall.com

Address: A1208, Overseas Decoration Building, #122 Zhenhua RD., Futian, Shenzhen, China





actual size

SMD Quartz Crystal · JXS22-WA

for wireless applications · 2.5 x 2.0 mm

- perfect reference crystal for wireless applications
- for IoT using BlueTooth, ZigBee, NFC and more
- high frequency stability and low ESR
- metal lid allows EMI shielding



General Data

type	JXS22-WA
special frequencies for wireless applications	14 standard frequencies shown in ESR list (for other frequencies refer to general JXS22 datasheet)
frequency tolerance at 25 °C	± 10ppm *
load capacitance C_L	8pF / 10pF / 12 pF *
shunt capacitance C_0	< 3 pF
storage temperature	-40 °C ~ +105 °C
drive level max.	100 µW (10 µW recommended)
aging	< ± 1 ppm first year

* for different specs please ask for availability

ESR (series resistance R_s)

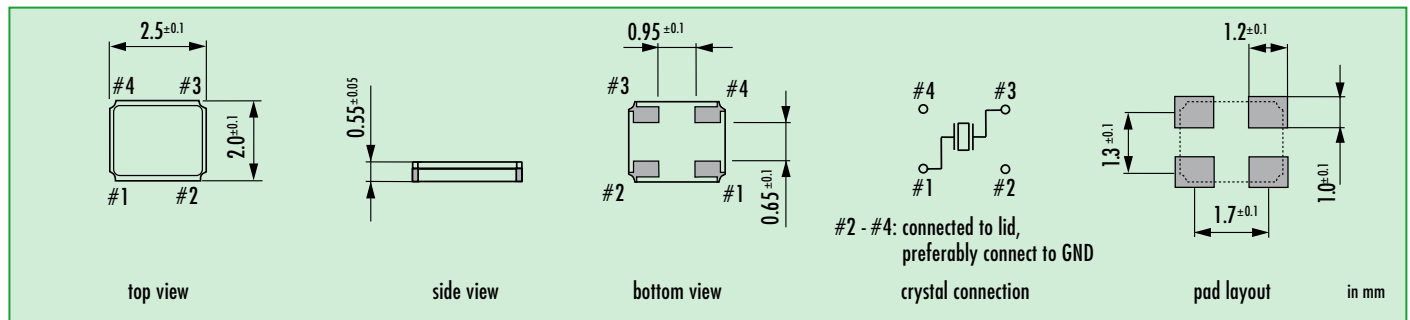
frequency in MHz	vibration mode	ESR max. in Ω	ESR typ. in Ω
16.0	fund. - AT	80	50
19.20	fund. - AT	70	40
20.0	fund. - AT	60	35
24.0	fund. - AT	50	25
25.0	fund. - AT	50	25
26.0	fund. - AT	50	20
27.120	fund. - AT	50	20
30.0	fund. - AT	50	20
32.0	fund. - AT	40	20
37.40	fund. - AT	40	20
38.40	fund. - AT	40	20
40.0	fund. - AT	40	20
48.0	fund. - AT	40	20
52.0	fund. - AT	40	20

Frequency Stability vs. Temperature

		± 10 ppm	± 13 ppm	± 15 ppm	± 20 ppm	± 25 ppm	± 30 ppm
-20 °C ~ +70 °C	STD.	●		○	○	○	○
-30 °C ~ +85 °C	T(-30/+85)		○	○	○	○	○
-40 °C ~ +85 °C	T1		D	●	○	○	○
-40 °C ~ +105 °C	T2					D	●

● standard ○ available D ask if available

Dimensions



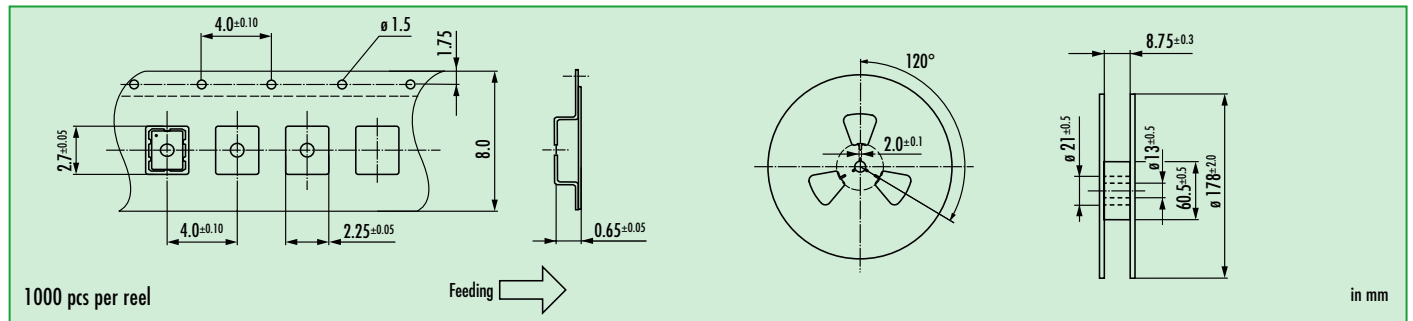
Order Information

Q	frequency	type	load capacitance	tolerance at 25 °C	stability vs. temp. range	option 1	option 2
Quartz	see frequencies in ESR list	JXS22	8 / 10 / 12 pF	10 = ± 10ppm std.	10 = ± 10 ppm 13 = ± 13 ppm 15 = ± 15 ppm 20 = ± 20 ppm 25 = ± 25 ppm 30 = ± 30 ppm	blank = -20 °C ~ +70 °C T(-30/+85) = -30 °C ~ +85 °C T1 = -40 °C ~ +85 °C T2 = -40 °C ~ +105 °C FU = for fundamental frequencies ≥ 20 MHz	WA = for wireless application

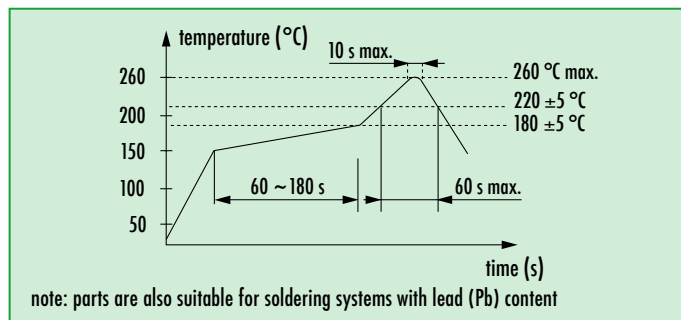
Example: Q 26.0-JXS22-12-10/15-T1-FU-WA-LF (Suffix LF = RoHS compliant / Pb free pins or pads)

SMD Quartz Crystal · JXS22-WA

Taping Specification



Reflow Soldering Profile



Load Capacitance Codes

8 pF: k	14 pF: x	22 pF: g	series: s
9 pF: n	15 pF: j	24 pF: d	T: 3rd OT
10 pF: h	16 pF: b	25 pF: r	
11 pF: l	17 pF: t	27 pF: w	
12 pF: a	18 pF: f	30 pF: .	
13 pF: v	20 pF: c		

example 20.0 MHz / 12 pF: 20a00

Marking

frequency with load capacitance code
company code / date code / internal code

date code: year/month

example: 6A = 2016 January

Jan.	Febr.	Mar.	Apr.	May	June
A	B	C	D	E	F
July	Aug.	Sept.	Oct.	Nov.	Dec.
G	H	J	K	L	M