



Chipsmall Limited consists of a professional team with an average of over 10 year of expertise in the distribution of electronic components. Based in Hongkong, we have already established firm and mutual-benefit business relationships with customers from,Europe,America and south Asia,supplying obsolete and hard-to-find components to meet their specific needs.

With the principle of “Quality Parts,Customers Priority,Honest Operation,and Considerate Service”,our business mainly focus on the distribution of electronic components. Line cards we deal with include Microchip,ALPS,ROHM,Xilinx,Pulse,ON,Everlight and Freescale. Main products comprise IC,Modules,Potentiometer,IC Socket,Relay,Connector.Our parts cover such applications as commercial,industrial, and automotives areas.

We are looking forward to setting up business relationship with you and hope to provide you with the best service and solution. Let us make a better world for our industry!



Contact us

Tel: +86-755-8981 8866 Fax: +86-755-8427 6832

Email & Skype: info@chipsmall.com Web: www.chipsmall.com

Address: A1208, Overseas Decoration Building, #122 Zhenhua RD., Futian, Shenzhen, China

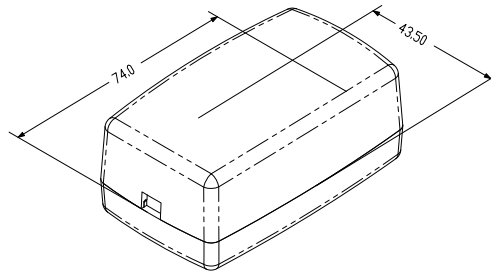
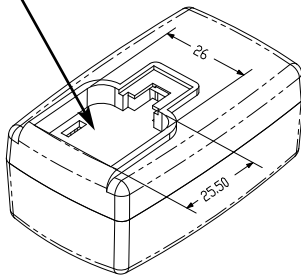


PROPRIETARY INFORMATION:
 PROPRIETARY OF GLOBTEK, INC. ANY REPRODUCTION, DISCLOSURE OR USE OF THIS DRAWING, IN WHOLE OR IN PART, IS HEREBY PROHIBITED EXCEPT AS SPECIFIED IN WRITING BY GLOBTEK, INC.

REVISION			
REV	DESCRIPTION	DATE	APPROVED
A	INITIAL RELEASE, RFS.6841, DMR	08/11/05	DMR
B	ADD PACKING, ROHS, RFS. 11825, MS	08/22/07	HM
C	ADD CARTON PACKING DETAIL, RFS. 12511, JS	11/26/07	HM
D	ADD MECHANICAL DRAWING, RFS. 13904, HM	06/17/08	HM
E	REVISE DESCRIPTION, I/P CONNECTOR, RFS.18364, SO	03/31/10	HM
F	REVISE DIMENSIONAL DRAWING, PAGE 1, RFS.24786, BS	05/14/13	HM



STANDARD OPTION SHIPS WITHOUT AC PINS INSTALLED

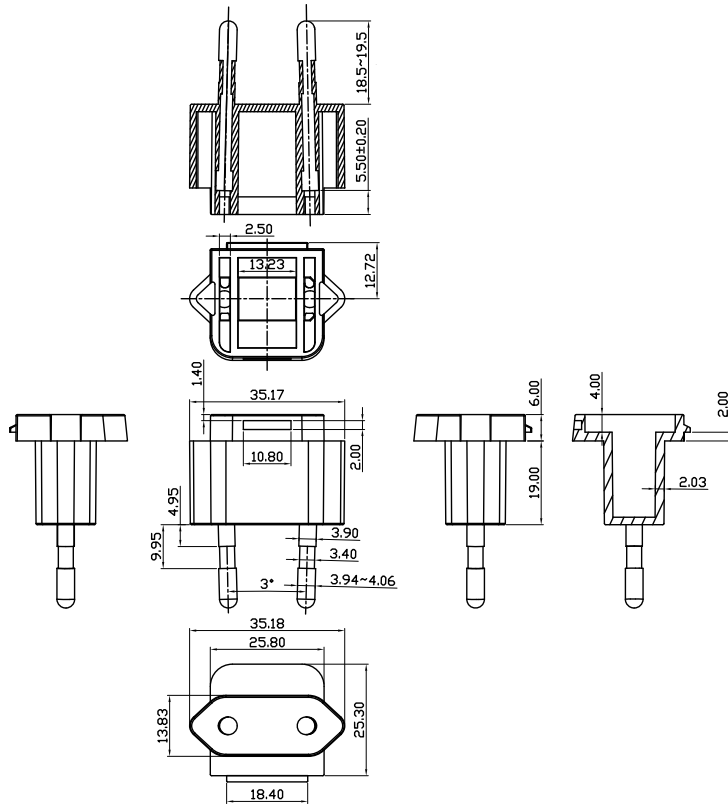


1. MATERIAL


HIGH IMPACT PLASTIC, 94V0 POLYCARBONATE, NON-VENTED, COLOR BLACK

2. INPUT CONNECTOR:

EUROPEAN CONFIGURATION CEE 7/16: EUROPLUG 2 PINS, CLASS II



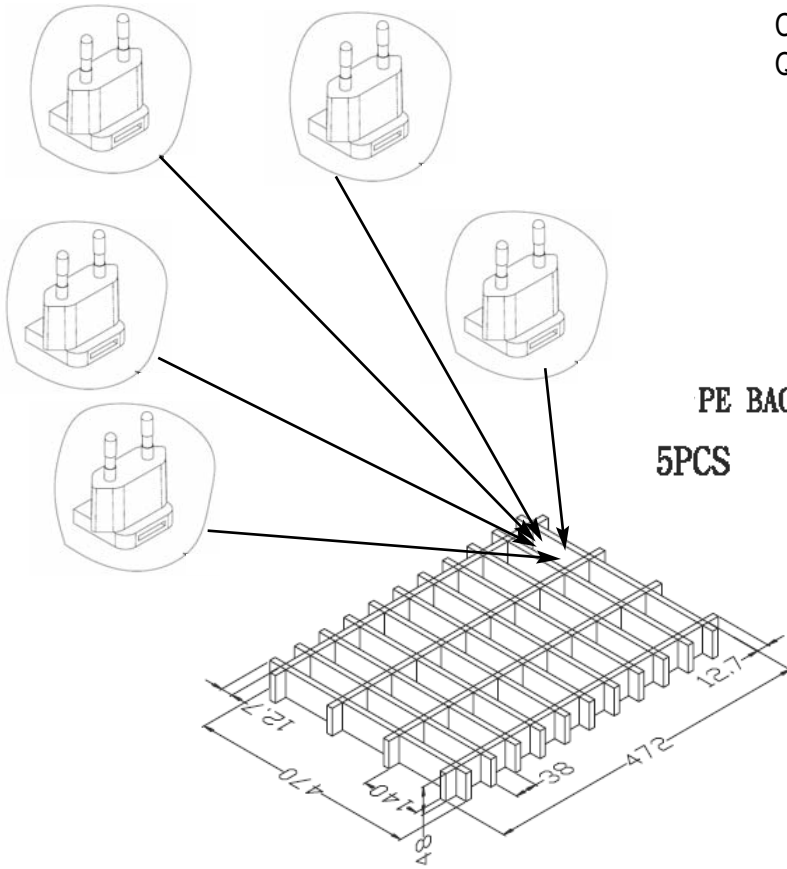
P/N: Q-EU(R)
 EUROPE
 SOUTH AMERICA

Foot Note: Globtek Inc. will not be liable for the safety and performance of these power supplies if unauthorized access and repair occurs. End user should consult applicable UL, CSA or EN standards for proper installation instructions	DASH NO.	PART NO	REV.	DESCRIPTION	NOTES
	TABULATION BLOCK				
Limitation of Use: Globtek product are not authorized for use as mission critical components in life support, hazardous environment, nuclear or aircraft applications without prior written approval from the CEO of Globtek Inc.	INIT.BY: DMR	DATE: 08/11/05	TOLERANCES: DECIMALS ANGULAR .xx +/- 0.1 .xxx +/- .005 MILLIMETERS ANGULAR .xx +/- 0.3 .xxx +/- .013		 186 Veterans Dr. Northvale, NJ 07647 Tel. 201-784-1000 Fax 201.784.0111 www.globtek.com
	DRAWN: NF	DATE: 08/11/05	FSCN No.: G, N	SIZE A	
	APRVD : DMR	DATE: 08/11/05	SCALE: NONE	MODEL NO: N/A	REV. F
				PART NO: Q-EU(R)	SHEET 1 OF 4

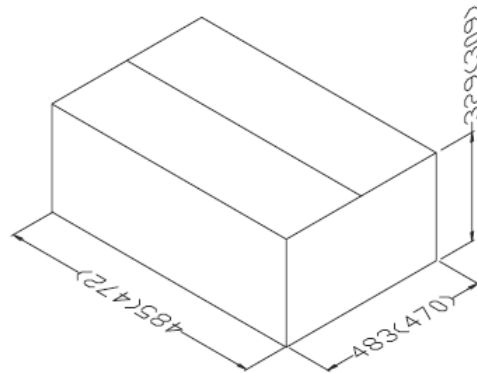
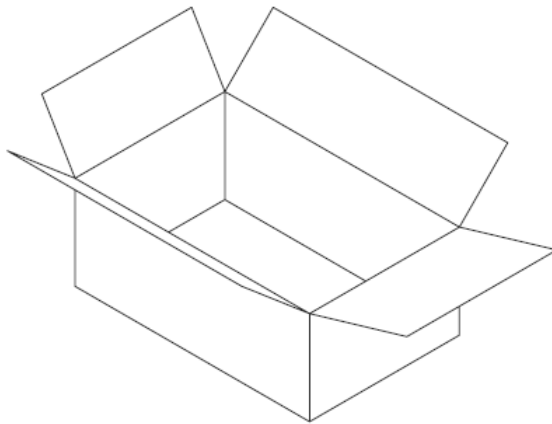
PROPRIETARY INFORMATION:
 PROPRIETARY OF GLOBTEK, INC. ANY REPRODUCTION, DISCLOSURE OR
 USE OF THIS DRAWING, IN WHOLE OR IN PART, IS HEREBY
 PROHIBITED EXCEPT AS SPECIFIED IN WRITING BY GLOBTEK, INC.


3. PACKING:

CARTON SIZE: 485 x 483 x 329
 Q'TY: 900 pcs (150 x 6)



PE BAG(SIZE:80X200)
 5PCS



 GlobTek, Inc. www.globtek.com	186 Veterans Dr. Northvale, NJ 07647 Tel. 201-784-1000 Fax 201.784.0111	
	DWG TITLE: EUROPE INTERCHANGEABLE INPUT BLADES	
MODEL NO: N/A	REV. F	
PART NO: Q-EU(R)	SHEET 2 OF 4	

