



Chipsmall Limited consists of a professional team with an average of over 10 year of expertise in the distribution of electronic components. Based in Hongkong, we have already established firm and mutual-benefit business relationships with customers from,Europe,America and south Asia,supplying obsolete and hard-to-find components to meet their specific needs.

With the principle of “Quality Parts,Customers Priority,Honest Operation,and Considerate Service”,our business mainly focus on the distribution of electronic components. Line cards we deal with include Microchip,ALPS,ROHM,Xilinx,Pulse,ON,Everlight and Freescale. Main products comprise IC,Modules,Potentiometer,IC Socket,Relay,Connector.Our parts cover such applications as commercial,industrial, and automotives areas.

We are looking forward to setting up business relationship with you and hope to provide you with the best service and solution. Let us make a better world for our industry!



## Contact us

Tel: +86-755-8981 8866 Fax: +86-755-8427 6832

Email & Skype: info@chipsmall.com Web: www.chipsmall.com

Address: A1208, Overseas Decoration Building, #122 Zhenhua RD., Futian, Shenzhen, China

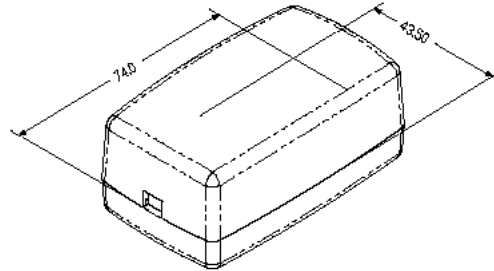
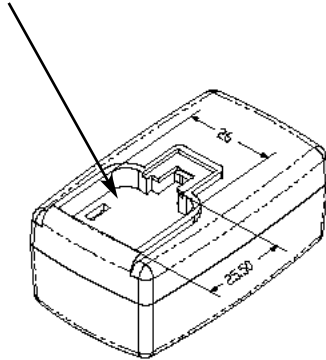


**PROPRIETARY INFORMATION:**  
 PROPRIETARY OF GLOBTEK, INC. ANY REPRODUCTION, DISCLOSURE OR USE OF THIS DRAWING, IN WHOLE OR IN PART, IS HEREBY PROHIBITED EXCEPT AS SPECIFIED IN WRITING BY GLOBTEK, INC.

REVISION			
REV	DESCRIPTION	DATE	APPROVED
A	INITIAL RELEASE, RFS.4530, DMR	09/29/04	DMR
B	ADD PAGE 2, UPDATE PACKING, RFS.6026, DMR	04/20/05	DMR
C	REVISE PACKING, RFS. 8014, DMR	02/23/06	DMR
D	ADD CH. ROHS, RFS. 13287, EM	03/31/08	HM
E	REVISE DESCRIPTION, I/P CONNECTORS, RFS. 18360, EM	03/30/10	HM
F	ADD CARTON WEIGHT, RFS. 23883, EM	12/10/12	HM
G	CHANGE CARTON WEIGHT FROM 6kgs TO 7kgs, RFS. 24268, SO	02/25/13	HM



STANDARD OPTION SHIPS WITHOUT AC PINS INSTALLED

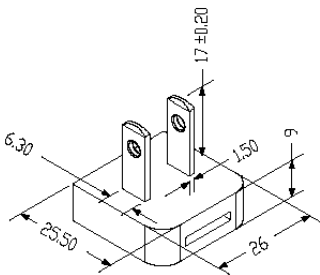


**1. MATERIAL**

HIGH IMPACT PLASTIC, 94V0 POLYCARBONATE, NON-VENTED, COLOR BLACK

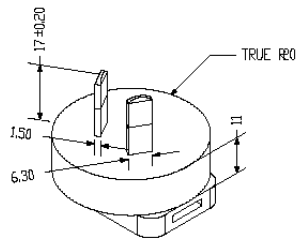
INPUT CONNECTORS OPTIONS Pins are included with Power Supply		Input connector Q-Kit (R)
1	CLASS II MODEL, NEMA 1-15P AC POWER PLUG WITH 2 PRONGS, Q-NA (R)	X
2	AUSTRALIAN AS3112 CONFIGURATION: SAA 2 PINS CLASS II, Q-SAA (R)	X
3	UK BS1363 CONFIGURATION: UK 2 PINS CLASS II, Q-UK (R)	X
4	EUROPEAN CEE 7/16 CONFIGURATION: EUROPLUG 2 PINS, CLASS II, Q-EU (R)	X

1



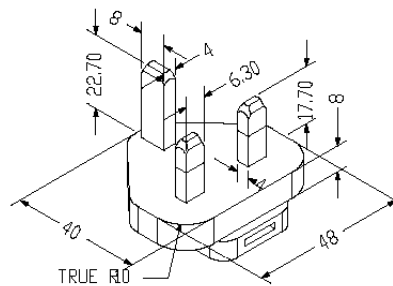
P/N: Q-NA(R)  
 NORTH AMERICA  
 JAPAN

2



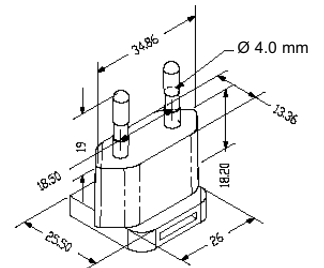
P/N: Q-SAA(R)  
 AUSTRALIA

3



P/N: Q-UK(R)  
 UNITED KINGDOM  
 HONG KONG  
 SINGAPORE

4



P/N: Q-EU(R)  
 EUROPE  
 SOUTH AMERICA

Foot Note:  
 Globtek Inc. will not be liable for the safety and performance of these power supplies if unauthorized access and repair occurs. End user should consult applicable UL, CSA or EN standards for proper installation instructions

Limitation of Use:  
 Globtek product are not authorized for use as mission critical components in life support, hazardous environment, nuclear or aircraft applications without prior written approval from the CEO of Globtek Inc.

DASH NO.	PART NO	REV.	DESCRIPTION	NOTES
<b>TABULATION BLOCK</b>				
		<b>TOLERANCES:</b> DECIMALS    ANGULAR .xx +/- 0.1    +/- 1° .xxx +/- .005		<b>GlobTek, Inc.</b> www.globtek.com 186 Veterans Dr. Northvale, NJ 07647 Tel. 201-784-1000 Fax 201.784.0111
INIT.BY: FS	DATE: 0712/04	<b>MILLIMETERS    ANGULAR</b> .xx +/- 0.3    +/- 1° .xxx +/- .013		
DRAWN: NF	DATE: 07/12/04	FSCN No.: G, N	SIZE A	DWG TITLE: Q-KIT 4 INTERCHANGEABLE INPUT BLADES
APRVD : DMR	DATE: 07/12/04	SCALE: NONE	MODEL NO: N/A	REV. G
			PART NO: Q-KIT(R)	SHEET 1 OF 2

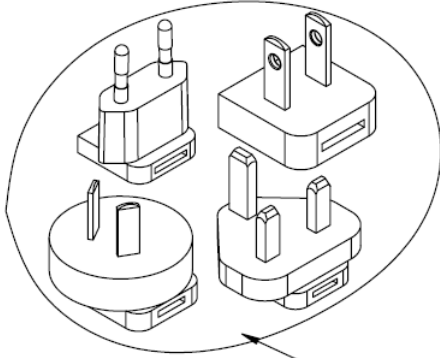
**PROPRIETARY INFORMATION:**

PROPRIETARY OF GLOBTEK, INC. ANY REPRODUCTION, DISCLOSURE OR USE OF THIS DRAWING, IN WHOLE OR IN PART, IS HEREBY PROHIBITED EXCEPT AS SPECIFIED IN WRITING BY GLOBTEK, INC.

**3. PACKING**

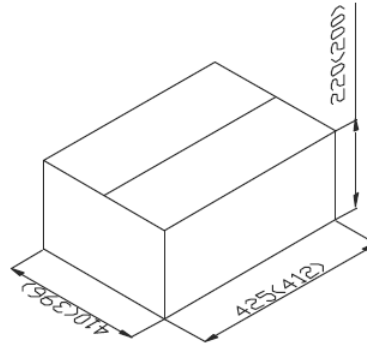
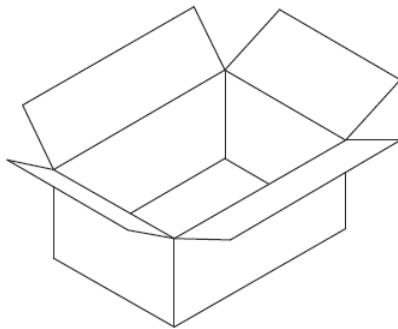
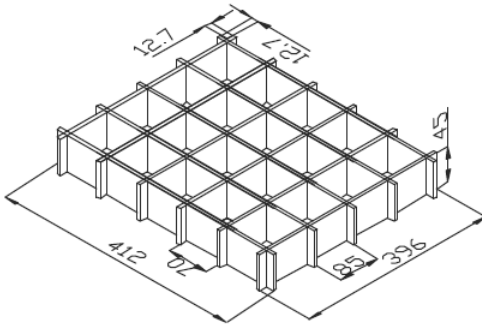
**KIT INCLUDING:**

Q-NA(R), Q-SAA(R), Q-UK(R), Q-EU(R),  
1 PIECE EACH: Q-KIT(R)



POLYBAG: 0.045\*110\*200

CARTON SIZE: 425 x 410 x 220 mm  
Q-TY:80 PCS (20x4)  
CARTON WEIGHT: 7.0 kgs



**GlobTek, Inc.**  
www.globtek.com

186 Veterans Dr. Northvale, NJ 07647  
Tel. 201-784-1000 Fax 201.784.0111

DWG TITLE: Q-KIT 4 INTERCHANGEABLE INPUT BLADES

MODEL NO: N/A

REV.  
G

PART NO: Q-KIT(R)

SHEET 2 OF 2