



Chipsmall Limited consists of a professional team with an average of over 10 year of expertise in the distribution of electronic components. Based in Hongkong, we have already established firm and mutual-benefit business relationships with customers from,Europe,America and south Asia,supplying obsolete and hard-to-find components to meet their specific needs.

With the principle of "Quality Parts,Customers Priority,Honest Operation,and Considerate Service",our business mainly focus on the distribution of electronic components. Line cards we deal with include Microchip,ALPS,ROHM,Xilinx,Pulse,ON,Everlight and Freescale. Main products comprise IC,Modules,Potentiometer,IC Socket,Relay,Connector.Our parts cover such applications as commercial,industrial, and automotives areas.

We are looking forward to setting up business relationship with you and hope to provide you with the best service and solution. Let us make a better world for our industry!



Contact us

Tel: +86-755-8981 8866 Fax: +86-755-8427 6832

Email & Skype: info@chipsmall.com Web: www.chipsmall.com

Address: A1208, Overseas Decoration Building, #122 Zhenhua RD., Futian, Shenzhen, China

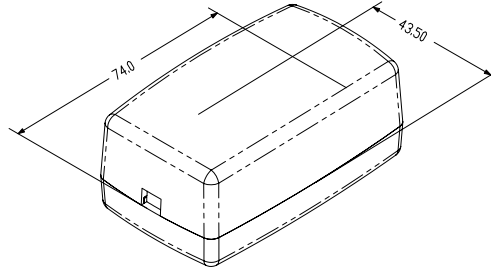
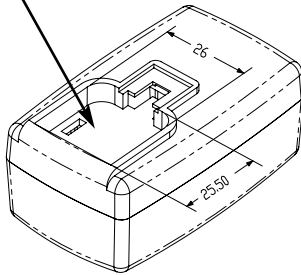


PROPRIETARY INFORMATION:
 PROPRIETARY OF GLOBTEK, INC. ANY REPRODUCTION, DISCLOSURE OR USE OF THIS DRAWING, IN WHOLE OR IN PART, IS HEREBY PROHIBITED EXCEPT AS SPECIFIED IN WRITING BY GLOBTEK, INC.

| REVISION | | | |
|----------|------------------------------------|----------|----------|
| REV | DESCRIPTION | DATE | APPROVED |
| A | INITIAL RELEASE, RFS. 6844, DMR | 08/11/05 | DMR |
| B | ADD PACKING, RFS. 8833, SO | 07/10/06 | HM |
| C | DELETE 'CHINA', RFS. 15902, RN | 03/26/09 | HM |
| D | REVISE PACKAGING, RFS. 15936, MS | 04/01/09 | HM |
| E | REVISE DESCRIPTION, RFS. 18361, SO | 03/30/10 | HM |



STANDARD OPTION SHIPS WITHOUT AC PINS INSTALLED

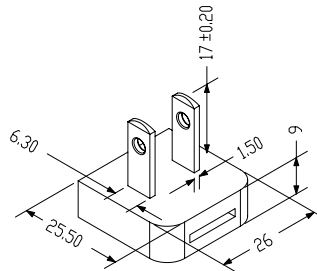


1. MATERIAL

HIGH IMPACT PLASTIC, 94V0 POLYCARBONATE, NON-VENTED, COLOR BLACK

2. INPUT CONNECTOR:

CLASS II MODEL NEMA 1-15P AC POWER RECEPTACLE WITH 2 PRONGS



P/N: Q-NA(R)
 NORTH AMERICA
 JAPAN

Foot Note:
 Globtek Inc. will not be liable for the safety and performance of these power supplies if unauthorized access and repair occurs. End user should consult applicable UL, CSA or EN standards for proper installation instructions

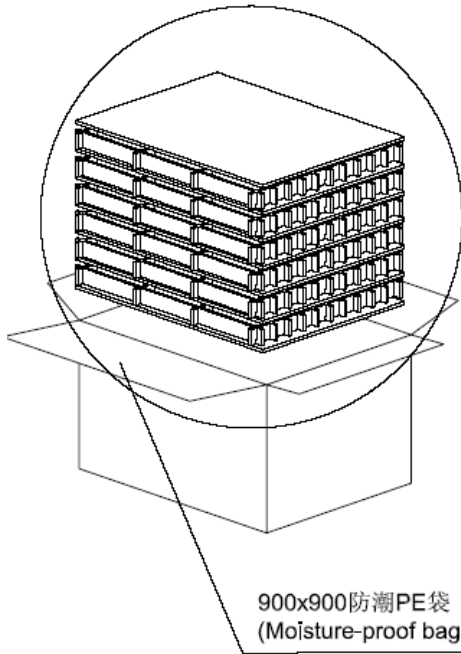
Limitation of Use:
 Globtek product are not authorized for use as mission critical components in life support, hazardous environment, nuclear or aircraft applications without prior written approval from the CEO of Globtek Inc.

| DASH NO. | PART NO | REV. | DESCRIPTION | NOTES |
|-------------------------|----------------|---|------------------|--|
| TABULATION BLOCK | | | | |
| | | TOLERANCES: DECIMALS ANGULAR .xx +/- 0.1 +/- 1' .xxx +/- .005 | | 186 Veterans Dr. Northvale, NJ 07647 Tel. 201-784-1000 Fax 201.784.0111 www.globtek.com |
| | | MILLIMETERS ANGULAR .xx +/- 0.3 +/- 1' .xxx +/- .013 | | |
| INIT.BY: DMR | DATE: 08/11/05 | DWG TITLE: NORTH AMERICA INTERCHANGEABLE INPUT BLADES | | |
| DRAWN: NF | DATE: 08/11/05 | FSCN No.: G, N | SIZE A | MODEL NO: N/A |
| APRVD : DMR | DATE: 08/11/05 | SCALE: NONE | PART NO: Q-NA(R) | REV. E |
| | | | | SHEET 1 OF 2 |

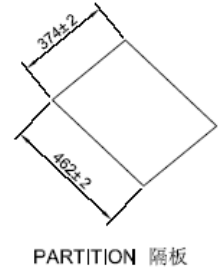
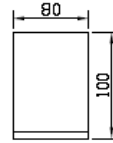
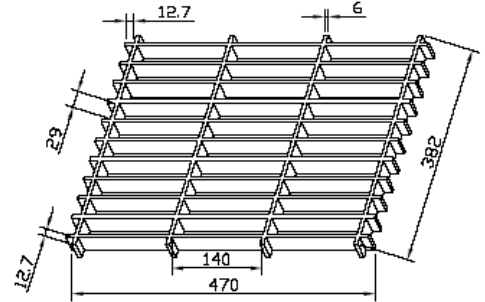
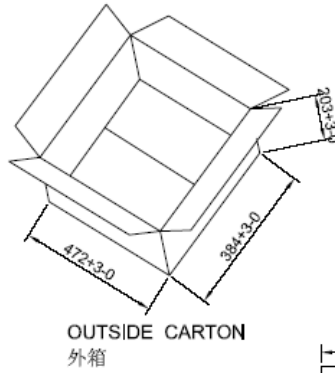
PROPRIETARY INFORMATION:

PROPRIETARY OF GLOBTEK, INC. ANY REPRODUCTION, DISCLOSURE OR USE OF THIS DRAWING, IN WHOLE OR IN PART, IS HEREBY PROHIBITED EXCEPT AS SPECIFIED IN WRITING BY GLOBTEK, INC.

3. PACKING:



900 PCS/CARTON
(150PCS*6)



GlobTek, Inc.
www.globtek.com

186 Veterans Dr. Northvale, NJ 07647
Tel. 201-784-1000 Fax 201.784.0111

DWG TITLE: NORTH AMERICA INTERERCHANGEABLE INPUT BLADES

MODEL NO: N/A

REV.
E

PART NO: Q-NA(R)

SHEET 2 OF 2