



Chipsmall Limited consists of a professional team with an average of over 10 year of expertise in the distribution of electronic components. Based in Hongkong, we have already established firm and mutual-benefit business relationships with customers from,Europe,America and south Asia,supplying obsolete and hard-to-find components to meet their specific needs.

With the principle of “Quality Parts,Customers Priority,Honest Operation,and Considerate Service”,our business mainly focus on the distribution of electronic components. Line cards we deal with include Microchip,ALPS,ROHM,Xilinx,Pulse,ON,Everlight and Freescale. Main products comprise IC,Modules,Potentiometer,IC Socket,Relay,Connector.Our parts cover such applications as commercial,industrial, and automotives areas.

We are looking forward to setting up business relationship with you and hope to provide you with the best service and solution. Let us make a better world for our industry!



Contact us

Tel: +86-755-8981 8866 Fax: +86-755-8427 6832

Email & Skype: info@chipsmall.com Web: www.chipsmall.com

Address: A1208, Overseas Decoration Building, #122 Zhenhua RD., Futian, Shenzhen, China

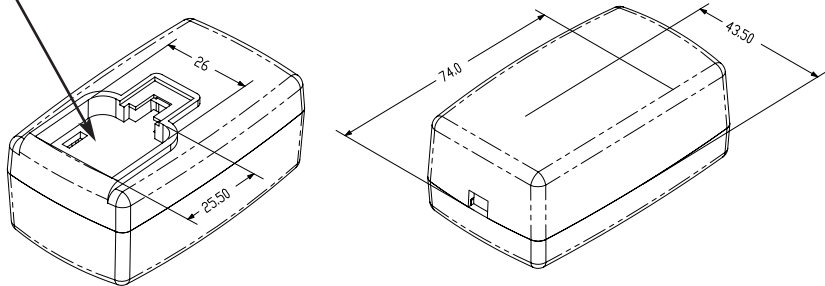


PROPRIETARY INFORMATION:
 PROPRIETARY OF GLOBTEK, INC. ANY REPRODUCTION, DISCLOSURE OR USE OF THIS DRAWING, IN WHOLE OR IN PART, IS HEREBY PROHIBITED EXCEPT AS SPECIFIED IN WRITING BY GLOBTEK, INC.

REVISION			
REV	DESCRIPTION	DATE	APPROVED
A	INITIAL RELEASE, RFS.6843, DMR	08/11/05	DMR
B	ADD PACKING, ROHS, RFS. 11824, MS	08/22/07	HM
C	ADD CARTON SIZE PACKING, RFS. 12512, JS	11/26/07	HM
D	ADD UNIT BAG LABEL, RFS. 17385, EM	11/02/09	HM
E	REVISE DESCRIPTION, RFS. 18362, SO	03/30/10	HM
F	REMOVE UNIT BAG LABEL, RFS.23052, EM	06/06/12	HM
G	UPDATE BLADE CONFIGURATION, RFS.26340, NF	05/27/16	HM



STANDARD OPTION SHIPS WITHOUT AC PINS INSTALLED

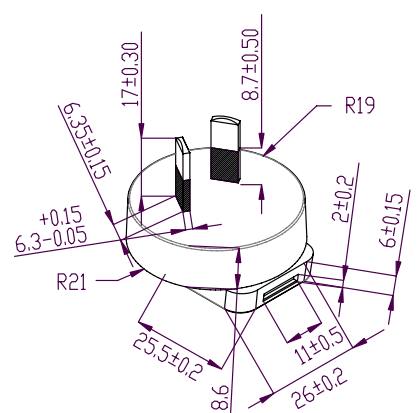
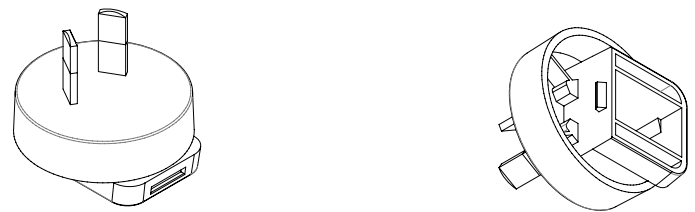


1. MATERIAL

HIGH IMPACT PLASTIC, 94V0 POLYCARBONATE, NON-VENTED, COLOR BLACK

2. INPUT CONNECTOR:

AUSTRALIAN AS 3112 CONFIGURATION: SAA 2 PINS CLASS II WITH BLADE INSULATION



P/N: Q-SAA(R)
 AUSTRALIA

RELEASED
 By N.Frost at 10:55 am, May 27, 2016

Foot Note:
 Globtek Inc. will not be liable for the safety and performance of these power supplies if unauthorized access and repair occurs. End user should consult applicable UL, CSA or EN standards for proper installation instructions

Limitation of Use:
 Globtek product are not authorized for use as mission critical components in life support, hazardous environment, nuclear or aircraft applications without prior written approval from the CEO of Globtek Inc.

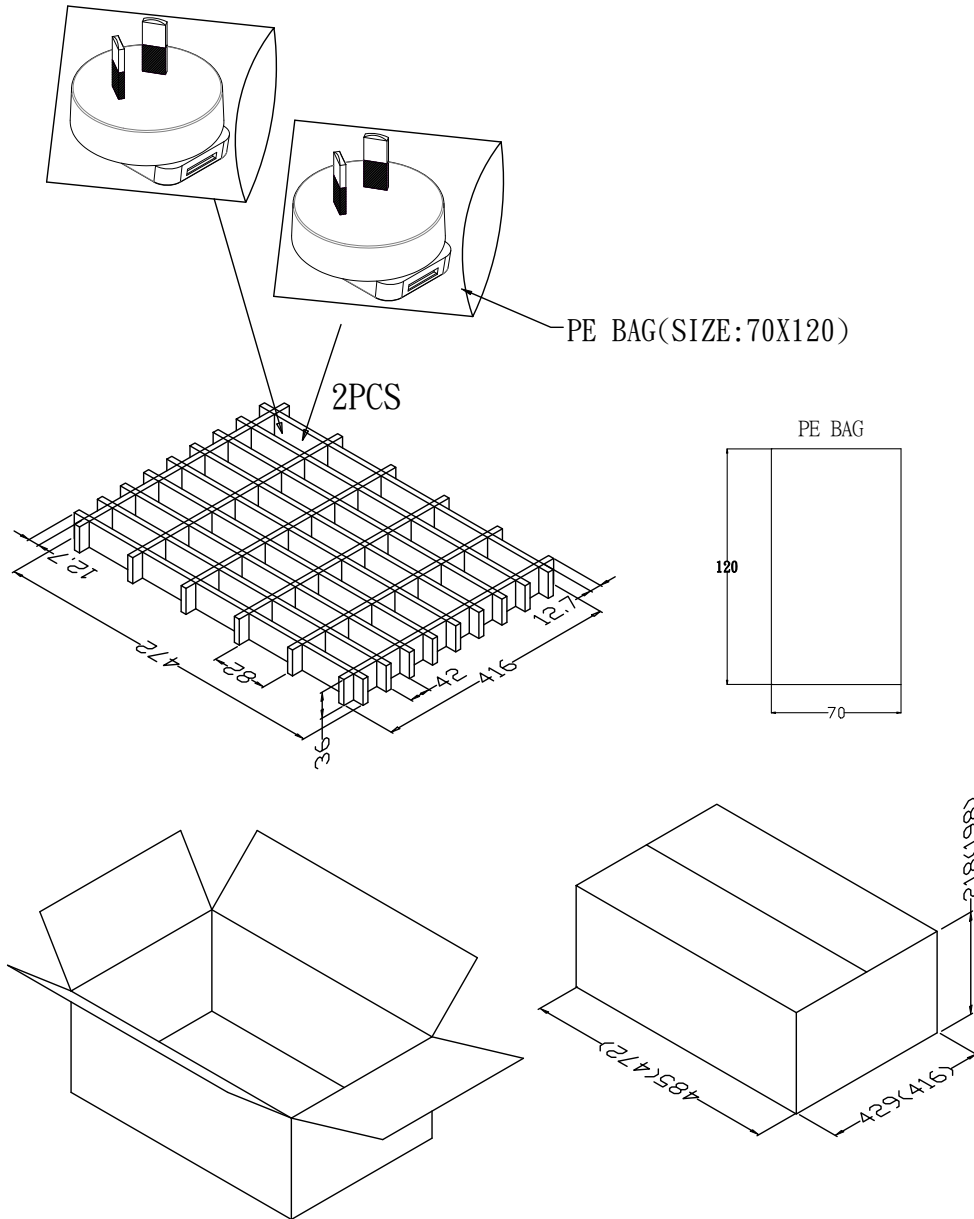
DASH NO.	PART NO	REV.	DESCRIPTION		NOTES
TABULATION BLOCK					
		TOLERANCES: DECIMALS ANGULAR .xx +/- 0.1 +/- 1° .xxx +/- .005		186 Veterans Dr. Northvale, NJ 07647 Tel. 201-784-1000 Fax 201.784.0111 www.globtek.com	
INIT.BY: DMR		DATE: 08/11/05			
DRAWN: NF		DATE: 08/11/05		MODEL NO: N/A	
APRVD : DMR		DATE: 08/11/05		PART NO: Q-SAA(R)	
		MILLIMETERS ANGULAR .xx +/- 0.3 +/- 1° .xxx +/- .013		REV. G	
		FSCN No.: G, N		SHEET 1 OF 2	
		SCALE: NONE			

PROPRIETARY INFORMATION:
 PROPRIETARY OF GLOBTEK, INC. ANY REPRODUCTION, DISCLOSURE OR
 USE OF THIS DRAWING, IN WHOLE OR IN PART, IS HEREBY
 PROHIBITED EXCEPT AS SPECIFIED IN WRITING BY GLOBTEK, INC.

3. PACKING:

CARTON SIZE: 485 x 429 x 218

Q'TY: 400 pcs (80 x 5)



 GlobTek, Inc. www.globtek.com		186 Veterans Dr. Northvale, NJ 07647 Tel. 201-784-1000 Fax 201.784.0111	
DWG TITLE: AUSTRALIAN INTERCHANGEABLE INPUT BLADES			
MODEL NO: N/A			REV. G
PART NO: Q-SAA(R)			SHEET 2 OF 2