



Chipsmall Limited consists of a professional team with an average of over 10 year of expertise in the distribution of electronic components. Based in Hongkong, we have already established firm and mutual-benefit business relationships with customers from,Europe,America and south Asia,supplying obsolete and hard-to-find components to meet their specific needs.

With the principle of “Quality Parts,Customers Priority,Honest Operation,and Considerate Service”,our business mainly focus on the distribution of electronic components. Line cards we deal with include Microchip,ALPS,ROHM,Xilinx,Pulse,ON,Everlight and Freescale. Main products comprise IC,Modules,Potentiometer,IC Socket,Relay,Connector.Our parts cover such applications as commercial,industrial, and automotives areas.

We are looking forward to setting up business relationship with you and hope to provide you with the best service and solution. Let us make a better world for our industry!



## Contact us

Tel: +86-755-8981 8866 Fax: +86-755-8427 6832

Email & Skype: info@chipsmall.com Web: www.chipsmall.com

Address: A1208, Overseas Decoration Building, #122 Zhenhua RD., Futian, Shenzhen, China



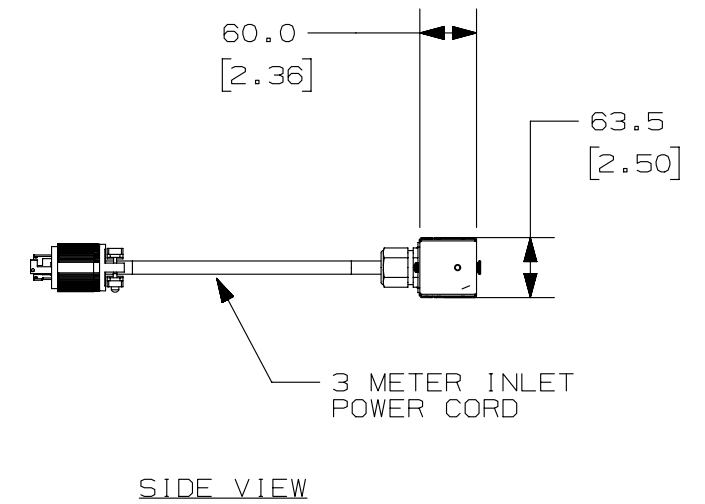
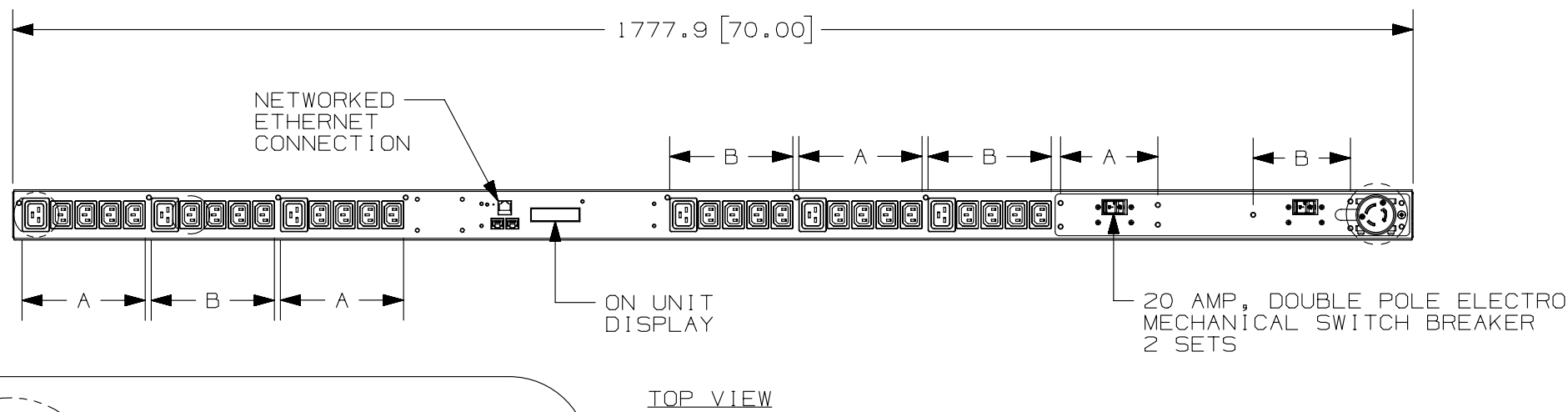
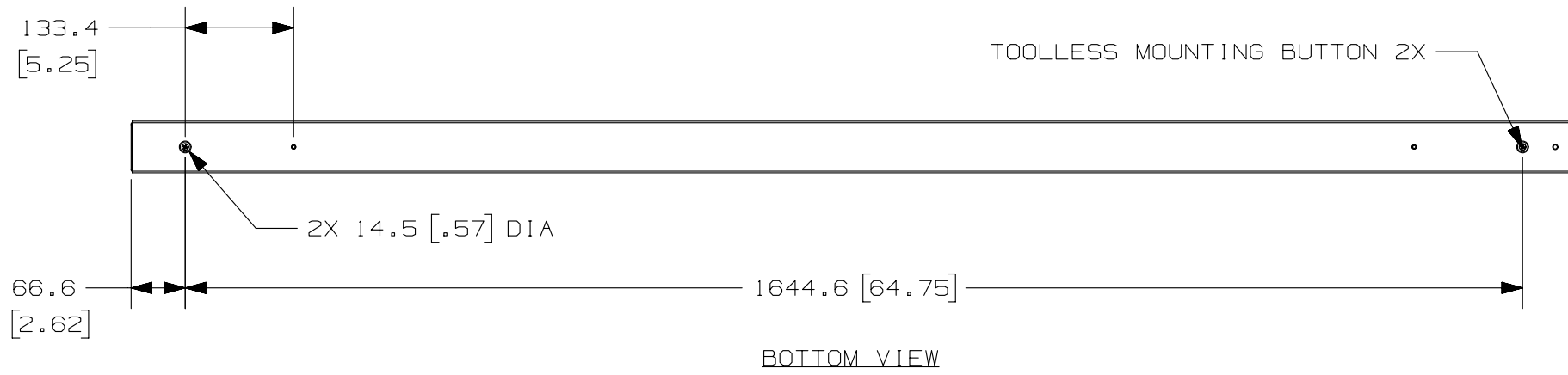
PANDUIT P/N	WEIGHT
Q1N2B1L2N30AHA0	9.23 kg (20.41lb)

NOTES:

1. IDENTIFICATION: VERTICAL, MIXED (24) C-13 & (6) C-19, NETWORKED 208V / 30A / SINGLE-PHASE PDU

PART NO. Q1N2B1L2N30AHA0 COLOR BLACK

- ACCESSORY COMPONENTS: (1) QUICK-START GUIDE
- PRIMARY DIMENSIONS ARE IN MILLIMETERS, SECONDARY DIMENSIONS IN [INCHES].
- CIRCUIT LEVEL POWER (AMPS, VOLTS, kWh, kVA, POWER FACTOR, FREQUENCY) MONITORING AND ENVIRONMENTAL SENSOR DATA CAN BE ACCESSED VIA ON-UNIT DISPLAY.
- RoHS COMPLIANT.
- VISIT OUR ON-LINE CATALOG AT WWW.PANDUIT.COM FOR A CURRENT LIST OF PRODUCTS APPLICABLE FOR USE WITH THIS PART.
- MAXIMUM AVAILABLE INPUT POWER = 4.9 kW
- INSTALLATION SHALL COMPLY WITH ALL APPLICABLE NATIONAL, STATE, AND LOCAL CODES.



PLUG  
30 AMP, 250V  
TWIST-LOCK  
NEMA L6-30P

TWENTY-FOUR (24)  
RECEPTACLES  
15 AMP, 250V  
STRAIGHT BLADE  
IEC 60320/C13

SIX (6)  
RECEPTACLES  
20 AMP, 230V  
STRAIGHT BLADE  
IEC 60320/C19

02A	5-14-14	PIP	MRWA	EDM	RELEASED TO PRODUCTION	12V091SR-DC
REV	DATE	BY	CHK	APR	DESCRIPTION	ECN

WE ASK THAT YOU CHECK FULLY THE DIMENSIONS, NOTES, AND SIGN THE CLIENT SIGNATURE BOX.

THE JOB WILL NOT PROGRESS WITHOUT SIGNED APPROVAL. PLEASE DO NOT DELAY IN RETURNING PROOF AS IT WILL AFFECT DELIVERY.

SIGN \_\_\_\_\_

DATE \_\_\_\_\_

PRINT \_\_\_\_\_

TITLE  
**Q1N2B1L2N30AHA0**  
CUSTOMER DRAWING

ITEM REVISION NAME  
12V091SR/02.PRT

DATASET FILE NAME  
12V091SR\_DC/02A.PRT

UNLESS OTHERWISE SPECIFIED, DIMENSIONAL TOLERANCES ARE:

INCHES	METRIC - MILLIMETER	ANGLE
X.X +/- 0.03	X.X +/- 0.8	+/- 1°
X.XX +/- 0.018	X.X +/- 0.46	
X.XXX +/- 0.007	X.XX +/- 0.18	

MATERIAL/COLOR:  
N/A

DRAWING NUMBER:  
12V091SR-DC

THIRD ANGLE PROJECTION

DRAWN BY: PIP DATE: 5-14-14 CHK: MRWA SCALE: NONE

SHT 1 OF 1 SIZE: B