



Chipsmall Limited consists of a professional team with an average of over 10 year of expertise in the distribution of electronic components. Based in Hongkong, we have already established firm and mutual-benefit business relationships with customers from,Europe,America and south Asia,supplying obsolete and hard-to-find components to meet their specific needs.

With the principle of “Quality Parts,Customers Priority,Honest Operation,and Considerate Service”,our business mainly focus on the distribution of electronic components. Line cards we deal with include Microchip,ALPS,ROHM,Xilinx,Pulse,ON,Everlight and Freescale. Main products comprise IC,Modules,Potentiometer,IC Socket,Relay,Connector.Our parts cover such applications as commercial,industrial, and automotives areas.

We are looking forward to setting up business relationship with you and hope to provide you with the best service and solution. Let us make a better world for our industry!



Contact us

Tel: +86-755-8981 8866 Fax: +86-755-8427 6832

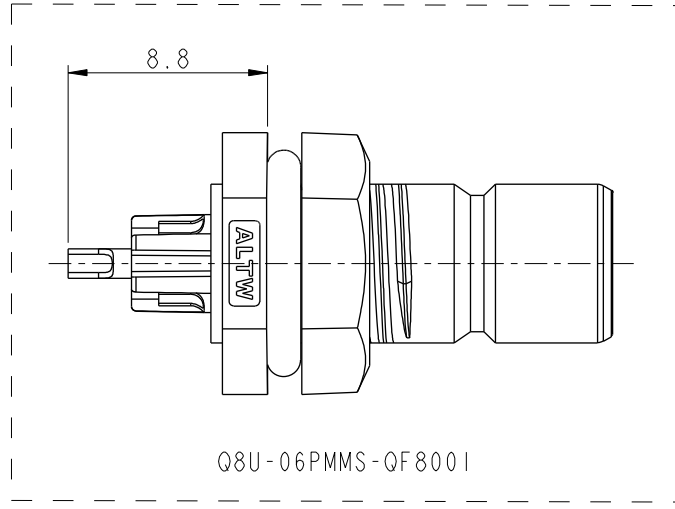
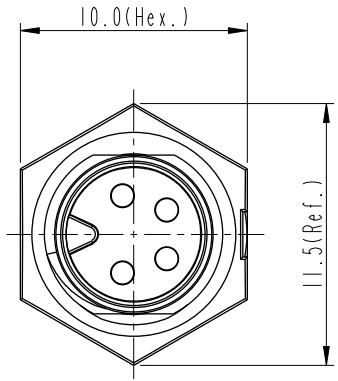
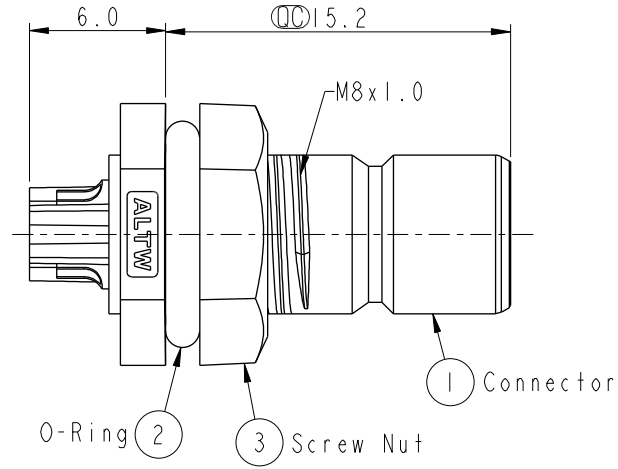
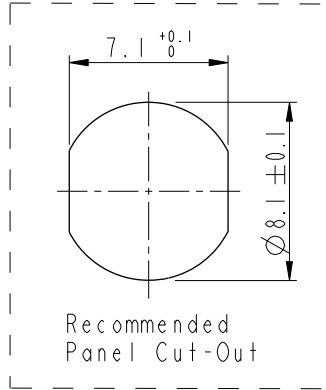
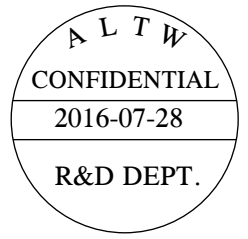
Email & Skype: info@chipsmall.com Web: www.chipsmall.com

Address: A1208, Overseas Decoration Building, #122 Zhenhua RD., Futian, Shenzhen, China



THIS DOCUMENT IS SUBJECT TO CHANGE WITHOUT NOTICE. IT IS CONFIDENTIAL AND A PROPERTY OF Amphenol LTW. DISCLOSURE TO THIRD PARTY HAS TO BE AUTHORIZED BY Amphenol LTW.

REV.	ECN NO.	DATE	SIGN	DESCRIPTION
A	Initial Release	2016/06/30	Aric Ko	Rev. A
B	LEN1680170	2016/07/28	Aric Ko	Modify Drawing.



Material Specification:

- * Connector: Thermoplastic
- * Contacts: Copper Alloy, Gold Plated.
- * O-Ring: Rubber
- * UL Rated: UL 94V-0, fl
- * Wire Range: 24AWG(2A), 20AWG(5A)
- * RoHS Compliant

Electrical Specification:

- * Contact Resistance: 10mΩ Max.
- * Insulation Resistance: 100MΩ Min.
- * Dielectric Withstand Voltage: 1,000V Plus 2 Times the Rated Voltage.

Mechanical Specification:

- * Durability: 2,000 Cycles
- * Torque Force for Nut: 6~8 kgf-cm
- * Panel Thickness: 0.8~2.0mm

Environmental Specification:

- * Waterproof Rating: IP68(Mated, 1M/24 Hours)
- * Temperature Range: -40°C to 105°C
- * Salt Spray: Mated, 500 Hours.
- * Safety Compliance: UL 2238(Outdoor Use, UL 50e)

UNIT:mm		
TOLERANCE	.X ±0.25	
.XX	±0.1	
.XXX	±0.05	
ANGLES	±1°	

TITLE	SIZE 8, RECEPTACLE(FRONT) HS-LOK, M CONN M PIN		
SCALE	3:1	SIZE	A4
		SHEET	1 OF 2
REV.	B	WC-REV.	A.6
		CC	Inspection item

Amphenol LTW
安費諾亮泰企業股份有限公司

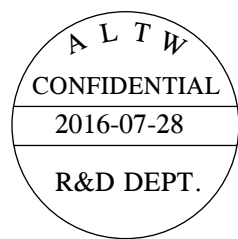
ITEM NO	DRAWN BY	DATE
	Aric Ko	2016-07-28
DWG NO	CHECKED BY	DATE
Q8XX-0XPMS-QF8001	Victor Hung	2016-07-28
CUSTOMER	APPROVED BY	DATE
ALTW	Kevin Hu	2016-07-28

THIS DOCUMENT IS SUBJECT TO CHANGE WITHOUT NOTICE. IT IS CONFIDENTIAL AND A PROPERTY OF Amphenol LTW. DISCLOSURE TO THIRD PARTY HAS TO BE AUTHORIZED BY Amphenol LTW.



	5A, 300Vac/Vdc 2 Contacts(02) Wire Color Identification: 1.White, 2.Black
	5A, 300Vac/Vdc 3 Contacts(03) Wire Color Identification: 1.White, 2.Black, 3.Green
	5A, 300Vac/Vdc 4 Contacts(04) Wire Color Identification: 1.White, 2.Black, 3.Red, 4.Blue
	2A, 100Vdc 5 Contacts(05) Wire Color Identification: 1.White, 2.Black, 3.Red, 4.Blue, 5.Green
	2A, 100Vdc 6 Contacts(06) Wire Color Identification: 1.White, 2.Black, 3.Red, 4.Blue, 5.Green, 6.Brown
	5A, 300Vac + 2A, 100Vdc 2+3 Contacts(05) Wire Color Identification: 1.White, 2.Black, 3.Red, 4.Blue, 5.Green

Pin Assignments, Front View



Ordering Information:

Q8XX-0XPMS-QF8001
 D: 5A Number of Contacts
 U: 2A 02
 DU: 5A+2A :
 06

Mating Connector:

Overmolded with Cable: Q8XX-0XAFFM-QL8AXX

UNIT:mm		TITLE SIZE 8, RECEPTACLE(FRONT) HS-LOK, M CONN M PIN
TOLERANCE .X ±0.25 .XX ±0.1 .XXX ±0.05 ANGLES ±1°	SCALE 1:1 REV. B	SIZE A4 SHEET 2 OF 2 WC-REV. A.1 QC: Inspection item

Amphenol LTW
 安費諾亮泰企業股份有限公司

ITEM NO	DRAWN BY Aric Ko	DATE 2016-07-28
DWG NO Q8XX-0XPMS-QF8001	CHECKED BY Victor Hung	DATE 2016-07-28
CUSTOMER ALTW	APPROVED BY Kevin Hu	DATE 2016-07-28