



Chipsmall Limited consists of a professional team with an average of over 10 year of expertise in the distribution of electronic components. Based in Hongkong, we have already established firm and mutual-benefit business relationships with customers from,Europe,America and south Asia,supplying obsolete and hard-to-find components to meet their specific needs.

With the principle of “Quality Parts,Customers Priority,Honest Operation,and Considerate Service”,our business mainly focus on the distribution of electronic components. Line cards we deal with include Microchip,ALPS,ROHM,Xilinx,Pulse,ON,Everlight and Freescale. Main products comprise IC,Modules,Potentiometer,IC Socket,Relay,Connector.Our parts cover such applications as commercial,industrial, and automotives areas.

We are looking forward to setting up business relationship with you and hope to provide you with the best service and solution. Let us make a better world for our industry!



## Contact us

Tel: +86-755-8981 8866 Fax: +86-755-8427 6832

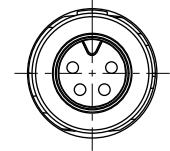
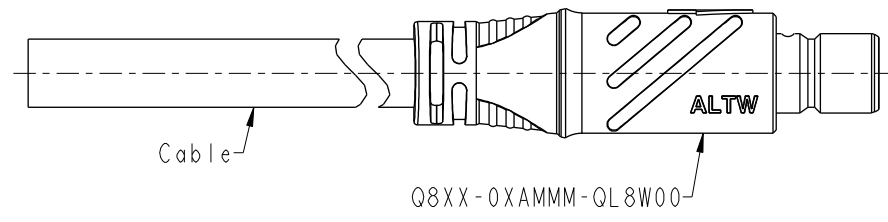
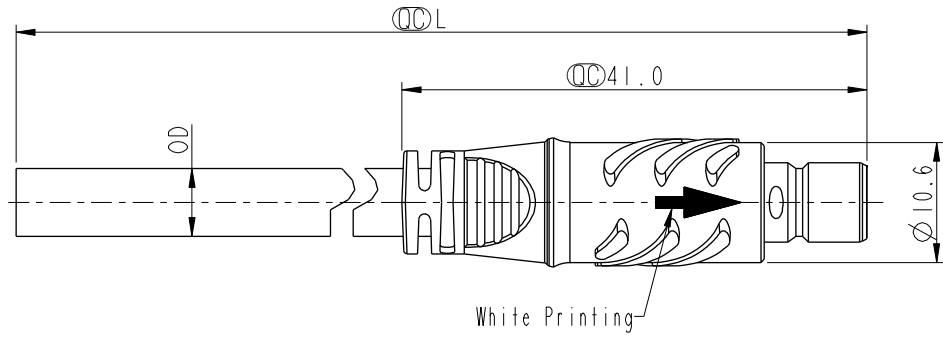
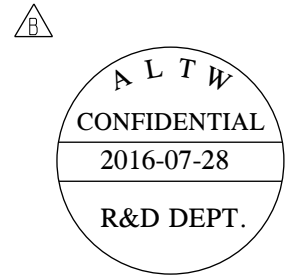
Email & Skype: info@chipsmall.com Web: www.chipsmall.com

Address: A1208, Overseas Decoration Building, #122 Zhenhua RD., Futian, Shenzhen, China



THIS DOCUMENT IS SUBJECT TO CHANGE WITHOUT NOTICE. IT IS CONFIDENTIAL AND A PROPERTY OF AMPHENOL LTW. DISCLOSURE TO THIRD PARTY HAS TO BE AUTHORIZED BY AMPHENOL LTW.

REV.	ECN NO.	DATE	SIGN	DESCRIPTION
A	Initial Release	2016/06/30	Aric Ko	Rev. A
B	LEN1680169	2016/07/28	Aric Ko	Modify Drawing.



**Material Specification:**

- \* Connector: Thermoplastic
- \* Contacts: Copper Alloy, Gold Plated.
- \* UL Rated: UL 94V-0, fl
- \* Cable: UL Style, 24AWG(2A), 20AWG(5A), Sun Res., PVC Jacket, Black.
- \* RoHS Compliant

**Electrical Specification:**

- \* Contact Resistance: 10mΩ Max. (Without Cable)
- \* Insulation Resistance: 100MΩ Min.
- \* Dielectric Withstand Voltage: 1,000V Plus 2 Times the Rated Voltage.

**Mechanical Specification:**

- \* Durability: 2,000 Cycles
- \* Tensile Strength: 10 kgf

**Environmental Specification:**

- \* Waterproof Rating: IP68(Mated, 1M/24 Hours)
- \* Temperature Range: -40° C to 105° C
- \* Salt Spray: Mated, 500 Hours.
- \* Safety Compliance: UL 2238(Outdoor Use, UL 50e)

**Cable Length Tolerance:**

- 01M: ±40mm
- 02M~06M: ±60mm
- 06M~10M: ±100mm
- 11M~30M: ±200mm
- 31M~99M: ±500mm



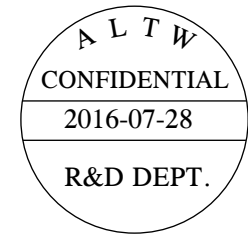
UNIT:mm		
TOLERANCE		
±0.5 mm		

TITLE SIZE 8, OVERMOLDED WITH CABLE HS-LOK, M CONN M PIN			
SCALE 3:2	SIZE A4	SHEET 1 OF 2	
REV. B	WC-REV. A.6	QC: Inspection item	

**Amphenol LTW**  
安費諾亮泰企業股份有限公司

ITEM NO	DRAWN BY Aric Ko	DATE 2016-07-29
DWG NO Q8XX-0XAMMM-QL8AXX	CHECKED BY Victor Hung	DATE 2016-07-29
CUSTOMER ALTW	APPROVED BY Kevin Hu	DATE 2016-07-29

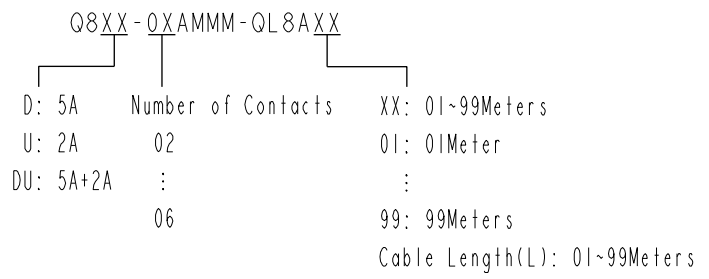
THIS DOCUMENT IS SUBJECT TO CHANGE WITHOUT NOTICE. IT IS CONFIDENTIAL AND A PROPERTY OF Amphenol LTW. DISCLOSURE TO THIRD PARTY HAS TO BE AUTHORIZED BY Amphenol LTW.



	5A, 300Vac/Vdc 2 Contacts(02) Cable OD 5.2mm; Wire Color Identification: 1.White, 2.Black
	5A, 300Vac/Vdc 3 Contacts(03) Cable OD 5.5mm; Wire Color Identification: 1.White, 2.Black, 3.Green
	5A, 300Vac/Vdc 4 Contacts(04) Cable OD 6.0mm; Wire Color Identification: 1.White, 2.Black, 3.Red, 4.Blue
	2A, 100Vdc 5 Contacts(05) Cable OD 5.5mm; Wire Color Identification: 1.White, 2.Black, 3.Red, 4.Blue, 5.Green
	2A, 100Vdc 6 Contacts(06) Cable OD 5.8mm; Wire Color Identification: 1.White, 2.Black, 3.Red, 4.Blue, 5.Green, 6.Brown
	5A, 300Vac + 2A, 100Vdc 2+3 Contacts(05) Cable OD 6.0mm; Wire Color Identification: 1.White, 2.Black, 3.Red, 4.Blue, 5.Green

Pin Assignments, Front View

Ordering Information:



Mating Connector:

Overmolded with Cable: Q8XX-0XAFFM-QL8AXX

UNIT:mm TOLERANCE ±0.5 mm	TITLE SIZE 8, OVERMOLDED WITH CABLE HS-LOK, M CONN M PIN	
	SCALE 3:2	SIZE A4
	REV. B	SHEET 2 OF 2
	WC-REV. A.6	QC: Inspection item

**Amphenol LTW**  
安費諾亮泰企業股份有限公司

ITEM NO	DRAWN BY Aric Ko	DATE 2016-07-29
DWG NO Q8XX-0XAMMM-QL8AXX	CHECKED BY Victor Hung	DATE 2016-07-29
CUSTOMER ALTW	APPROVED BY Kevin Hu	DATE 2016-07-29