



Chipsmall Limited consists of a professional team with an average of over 10 year of expertise in the distribution of electronic components. Based in Hongkong, we have already established firm and mutual-benefit business relationships with customers from,Europe,America and south Asia,supplying obsolete and hard-to-find components to meet their specific needs.

With the principle of “Quality Parts,Customers Priority,Honest Operation,and Considerate Service”,our business mainly focus on the distribution of electronic components. Line cards we deal with include Microchip,ALPS,ROHM,Xilinx,Pulse,ON,Everlight and Freescale. Main products comprise IC,Modules,Potentiometer,IC Socket,Relay,Connector.Our parts cover such applications as commercial,industrial, and automotives areas.

We are looking forward to setting up business relationship with you and hope to provide you with the best service and solution. Let us make a better world for our industry!



Contact us

Tel: +86-755-8981 8866 Fax: +86-755-8427 6832

Email & Skype: info@chipsmall.com Web: www.chipsmall.com

Address: A1208, Overseas Decoration Building, #122 Zhenhua RD., Futian, Shenzhen, China



Features

- Complete RF Transmitter
- Transmit Range Up To 50m
- CMOS / TTL Input
- No Adjustable Components
- Very Stable Operating Frequency
- Low Current Consumption (Typ 11mA)
- Wide Operating Voltage (1.5-5v)
- ASK Modulation
- Available as 315 or 433 MHz



Applications

- Wireless Security Systems
- Car Alarms
- Remote Gate Controls
- Remote Sensing
- Data Capture
- Sensor Reporting

Description

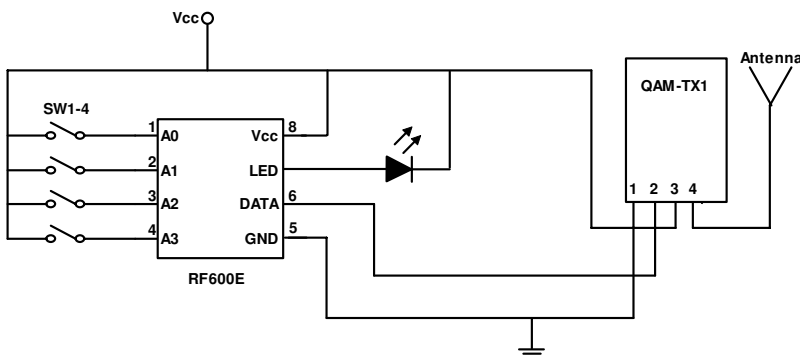
The Quasar UK AM hybrid transmitter module provides a complete RF transmitter which can be used to transmit data at up to 3KHz from any standard CMOS/TTL source.

The module is very simple to operate and offers low current consumption (typ. 11mA). Data can be supplied directly from a microprocessor or encoding device, thus keeping the component count down and ensuring a low hardware cost.

The modules are compatible with the Quasar UK Ltd. range of AM receivers to provide a complete solution.

Typical Application

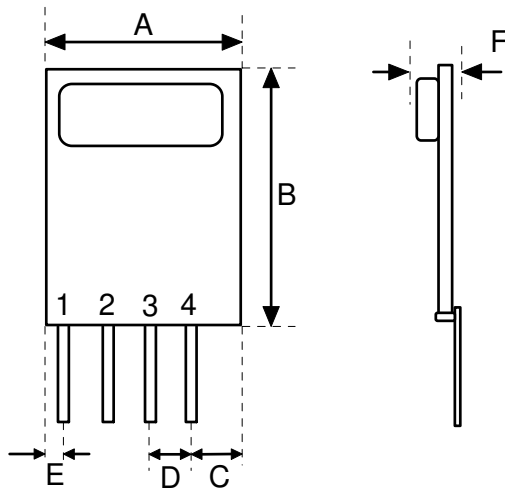
For further information on this circuit please refer to the RF Solutions datasheet DS600



Part Numbers

| Part Number | Description |
|-------------|-------------------------------|
| QAM-TX1-433 | AM Transmitter Module, 433MHz |
| QAM-TX1-315 | AM Transmitter Module, 315MHz |

Technical Specifications



Notes

Pins on 0.1" pitch

Pin Dims :0.25 x 0.50mm

Dimensions

| Pin | Measurements (mm) |
|-----|-------------------|
| A | 13 |
| B | 19 |
| C | 3 |
| D | 2.54 |
| E | 1 |
| F | 5.5 |

Pin Descriptions

| Pin | Name | Description |
|-----|------|------------------|
| 1 | GND | Ground |
| 2 | IN | Data input |
| 3 | Vcc | Supply Voltage |
| 4 | ANT | External Antenna |

Electrical Characteristics

Ambient temp = 25°C unless otherwise stated.

| Characteristic | Min. | Typ. | Max. | Dimensions |
|---|------|--------------|-------|------------|
| Supply Voltage | 1.5 | 3 | 5 | Vdc |
| Supply Current (Vcc=5V IN=1kHz) | 2.9 | 11 | 22 | mA |
| Working Frequency | | 315 / 433.92 | | MHz |
| Time from Power on to data transmission | | 20 | | Ms |
| Data Rate | 200 | | 3,000 | Hz |
| Operating Temperature | -20 | | +60 | °C |

www.quasaruk.co.uk

Information contained in this document is believed to be accurate, however no representation or warranty is given and no liability is assumed by Quasar (UK) Ltd. with respect to the accuracy of such information. Use of products as critical components in life support systems is not authorised except with express written approval from Quasar (UK) Ltd.