



Chipsmall Limited consists of a professional team with an average of over 10 year of expertise in the distribution of electronic components. Based in Hongkong, we have already established firm and mutual-benefit business relationships with customers from,Europe,America and south Asia,supplying obsolete and hard-to-find components to meet their specific needs.

With the principle of “Quality Parts,Customers Priority,Honest Operation,and Considerate Service”,our business mainly focus on the distribution of electronic components. Line cards we deal with include Microchip,ALPS,ROHM,Xilinx,Pulse,ON,Everlight and Freescale. Main products comprise IC,Modules,Potentiometer,IC Socket,Relay,Connector.Our parts cover such applications as commercial,industrial, and automotives areas.

We are looking forward to setting up business relationship with you and hope to provide you with the best service and solution. Let us make a better world for our industry!



Contact us

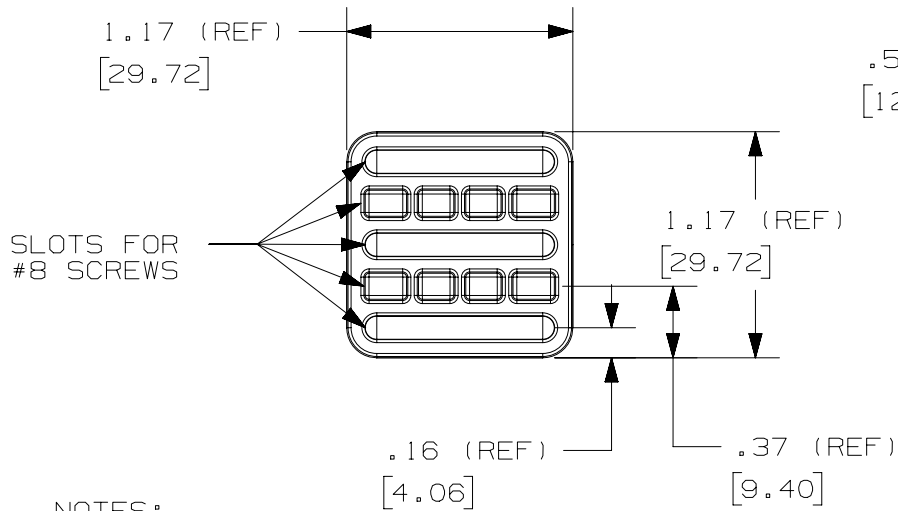
Tel: +86-755-8981 8866 Fax: +86-755-8427 6832

Email & Skype: info@chipsmall.com Web: www.chipsmall.com

Address: A1208, Overseas Decoration Building, #122 Zhenhua RD., Futian, Shenzhen, China



THIS COPY IS PROVIDED ON A RESTRICTED BASIS AND IS NOT TO BE USED IN ANY WAY DETRIMENTAL TO THE INTERESTS OF PANDUIT CORP.

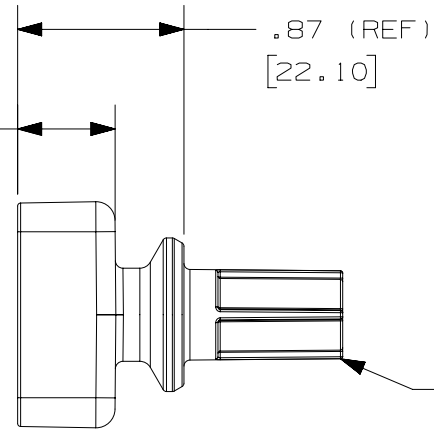


SLOTS FOR #8 SCREWS

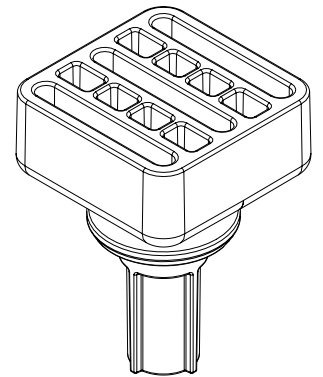
NOTES:

1. DIMENSIONS IN BRACKETS [] ARE METRIC [mm].
3. PRODUCT DESIGNED TO BE INSERTED INTO PANDUIT PART: QB-MOUNT.
4. PRODUCT IS DESIGNED TO SUPPORT A MAXIMUM STATIC LOAD OF 5 LBS.
5. PRODUCT IS RATED FOR ENVIRONMENTAL CONDITIONS OF 40-100°F IN ALL HUMIDITY RANGES.
6. REFER TO PANDUIT CATALOG FOR LIST OF COMPATIBLE ACCESSORIES.
7. COMPATIBLE WITH FOLLOWING SCREWS: QB-S8-500-C, QB-S8-750-C.

.51 (REF)
[12.95]



SPLINE INTERLOCKS WITH QB-MOUNT.



00	06-09-15	ANF	DJW	MSAD	DRAWING RELEASED	GAECN03011
REV	DATE	BY	CHK	APR	DESCRIPTION	ECN

TITLE QUICK-BUILD MOUNTING BASE; 1.20" X 1.20"; ACCEPTS #8 SCREWS; 25 PER PACKAGE QB-BASE120 CUSTOMER DRAWING						
ITEM REVISION NAME 14L203DM/02						
DATASET FILE NAME 14L203DM-DC						
UNLESS OTHERWISE SPECIFIED, DIMENSIONAL TOLERANCES ARE: IN [mm] .x ± .1 [.254] .xxx ± .005 [.127] .xx ± .01 [.25] ANGLES ± 5 °					MATERIAL: NYLON	
THIRD ANGLE PROJECTION					DRAWING NUMBER: 14L203DM-DC	
DRAWN BY ANF	DATE 6/9/15	CHK DJW	SCALE 1:1	SHT 1 OF 1		SIZE A