



Chipsmall Limited consists of a professional team with an average of over 10 year of expertise in the distribution of electronic components. Based in Hongkong, we have already established firm and mutual-benefit business relationships with customers from,Europe,America and south Asia,supplying obsolete and hard-to-find components to meet their specific needs.

With the principle of "Quality Parts,Customers Priority,Honest Operation,and Considerate Service",our business mainly focus on the distribution of electronic components. Line cards we deal with include Microchip,ALPS,ROHM,Xilinx,Pulse,ON,Everlight and Freescale. Main products comprise IC,Modules,Potentiometer,IC Socket,Relay,Connector.Our parts cover such applications as commercial,industrial, and automotives areas.

We are looking forward to setting up business relationship with you and hope to provide you with the best service and solution. Let us make a better world for our industry!



Contact us

Tel: +86-755-8981 8866 Fax: +86-755-8427 6832

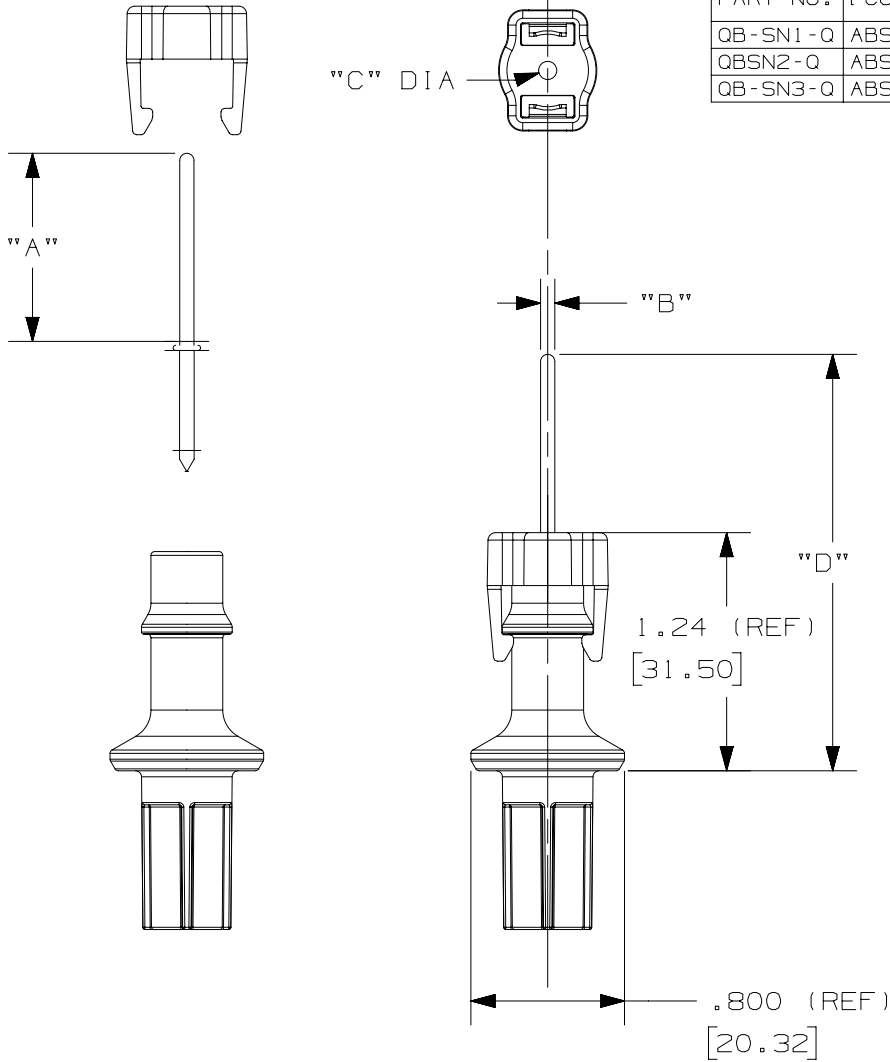
Email & Skype: info@chipsmall.com Web: www.chipsmall.com

Address: A1208, Overseas Decoration Building, #122 Zhenhua RD., Futian, Shenzhen, China



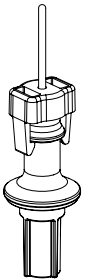
THIS COPY IS PROVIDED ON A RESTRICTED BASIS AND IS NOT TO BE USED IN ANY WAY DETRIMENTAL TO THE INTERESTS OF PANDUIT CORP.

PANDUIT PART NO.	MATERIAL [COLOR]	NAIL PART NO.	"A" NAIL LENGTH FROM FLANGE (REF)	"B" NAIL DIAM. (REF)	"C" HOLE DIAM. (REF)	"D" OVERALL HEIGHT (REF)
QB-SN1-Q	ABS [WHITE]	HBN1-T	1.0 [25.4]	0.074 [1.88]	.079 [2.007]	2.168 [55.07]
QBSN2-Q	ABS [BLACK]	HBN2-T	2.0 [50.8]	.090 [2.286]	.094 [2.388]	3.168 [80.47]
QB-SN3-Q	ABS [GRAY]	HBN3-T	3.0 [76.2]	.121 [3.073]	.128 [2.351]	4.168 [105.87]



NOTES:

1. DIMENSIONS IN BRACKETS [] ARE METRIC [mm]
2. PRODUCT IS DESIGNED TO BE INSERTED INTO PANDUIT PART: QB-MOUNT.
3. PRODUCT DESIGNED TO SUPPORT A MAXIMUM STATIC LOAD OF 5 LBS.
4. PRODUCT IS RATED FOR ENVIRONMENTAL CONDITIONS OF 40-100°F IN ALL HUMIDITY RANGES.
5. NAILS SOLD SEPARATELY.



SCALE 1:2

TITLE
QUICK-BUILD SINGLE NAIL BASE FOR USE WITH HBN1-T, HBN2-T, HBN3-T; 25 PER PACKAGE (QB-SN1-Q, QB-SN2-Q, QB-SN3-Q)

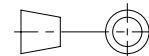
CUSTOMER DRAWING

ITEM REVISION NAME
14L203AS/01
 DATASET FILE NAME
14L203AS-DC



UNLESS OTHERWISE SPECIFIED,
 DIMENSIONAL TOLERANCES ARE: IN [mm]
 .x ± .1 [2.54] .xxx ± .005 [.127]
 .xx ± .01 [.25] ANGLES ± 5 °

MATERIAL:
SEE NOTES



THIRD ANGLE
 PROJECTION

DRAWING NUMBER:
14L203AS-DC

00	6-10-15	ANF	DJW	MSAD	DRAWING RELEASED	GAECN03013
REV	DATE	BY	CHK	APR	DESCRIPTION	ECN

DRAWN BY ANF	DATE 06-10-2015	CHK DJW	SCALE 1:1	SHT 1 OF 1	SIZE A
-----------------	--------------------	------------	--------------	------------	-----------