



Chipsmall Limited consists of a professional team with an average of over 10 year of expertise in the distribution of electronic components. Based in Hongkong, we have already established firm and mutual-benefit business relationships with customers from,Europe,America and south Asia,supplying obsolete and hard-to-find components to meet their specific needs.

With the principle of “Quality Parts,Customers Priority,Honest Operation,and Considerate Service”,our business mainly focus on the distribution of electronic components. Line cards we deal with include Microchip,ALPS,ROHM,Xilinx,Pulse,ON,Everlight and Freescale. Main products comprise IC,Modules,Potentiometer,IC Socket,Relay,Connector.Our parts cover such applications as commercial,industrial, and automotives areas.

We are looking forward to setting up business relationship with you and hope to provide you with the best service and solution. Let us make a better world for our industry!



Contact us

Tel: +86-755-8981 8866 Fax: +86-755-8427 6832

Email & Skype: info@chipsmall.com Web: www.chipsmall.com

Address: A1208, Overseas Decoration Building, #122 Zhenhua RD., Futian, Shenzhen, China



QT-Brightek SMD Display Series

0.40" Single Digit Alphanumeric Display

Part No.: QBASS40YGZ

Z= 1: Common Cathode

Z = 0: Common Anode

Tablet of Contents:

Introduction	3
Electrical / Optical Characteristic (T=25 °C)	4
Pin Configuration	5
Characteristic Curves.....	6
Soldering Profile.....	7
Packing	8
Ordering Information	9
Revision History	10
Disclaimer	10

Electrical / Optical Characteristic (T=25 °C)

Product		Color	I _F (mA)	V _F (V)			λ _D (nm)			I _V (mcd)
CC	CA			Min.	Typ.	Max.	Min.	Typ.	Max.	Typ.
QBASS40YG1	QBASS40YG0	Yellow Green	20	--	2.0	2.6	--	570	--	3

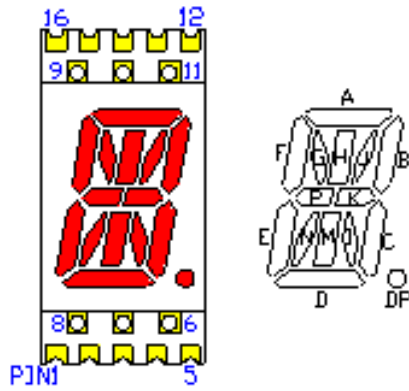
Absolute Maximum Rating

Material	P _d (mW)	Derating liner from 25 °C per dice (mA/ °C)	I _F (mA)	I* _{PF} (mA)	V _R (V)	T _{OP} (°C)	T _{ST} (°C)
GaP	70	0.28	25	90	5	-40 to + 105	-40 to +105

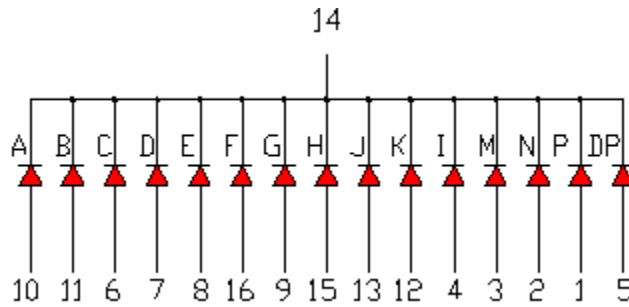
*Duty 1/10 @ 1kHz

** IR Reflow for no more than 5 sec @ 260 °C

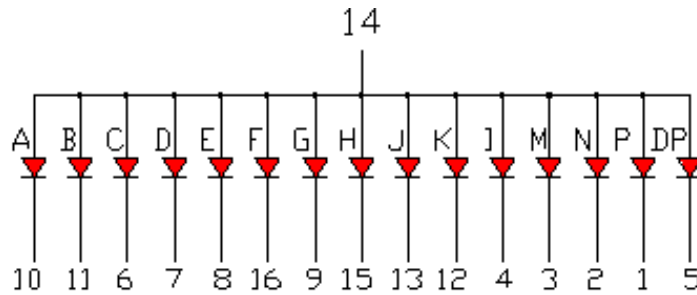
Pin Configuration



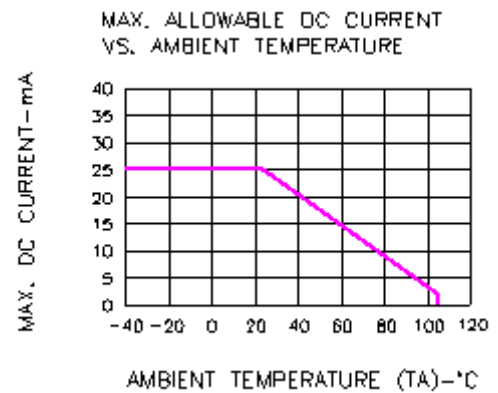
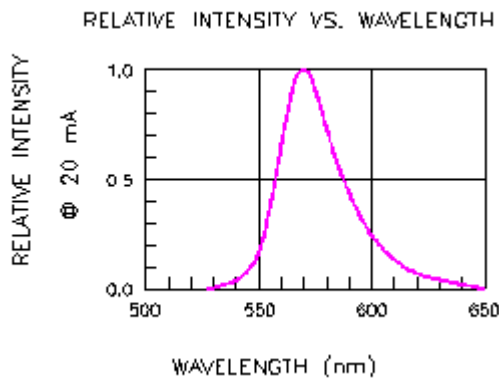
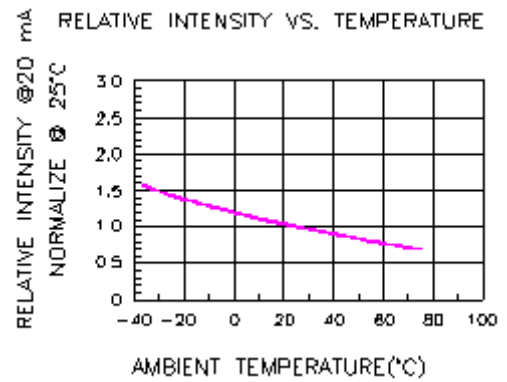
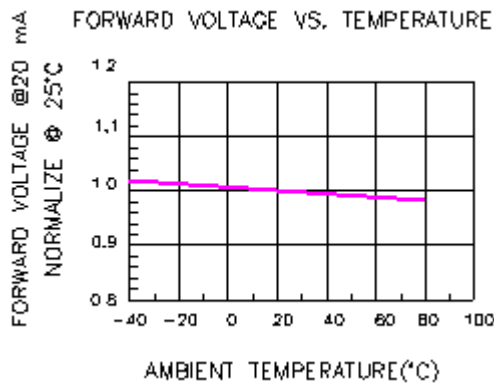
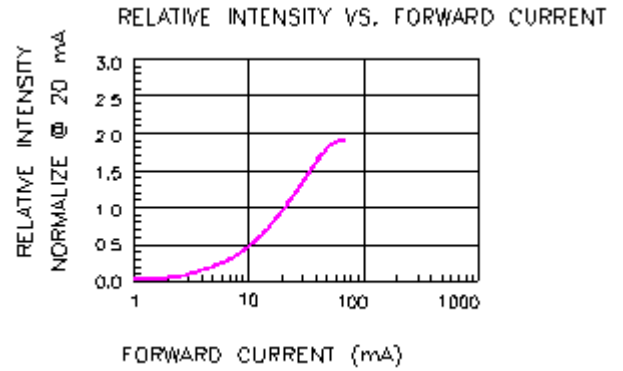
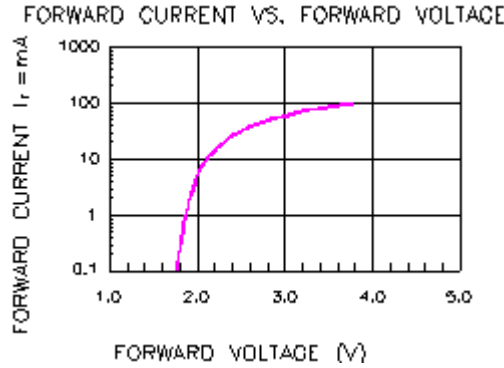
CC



CA



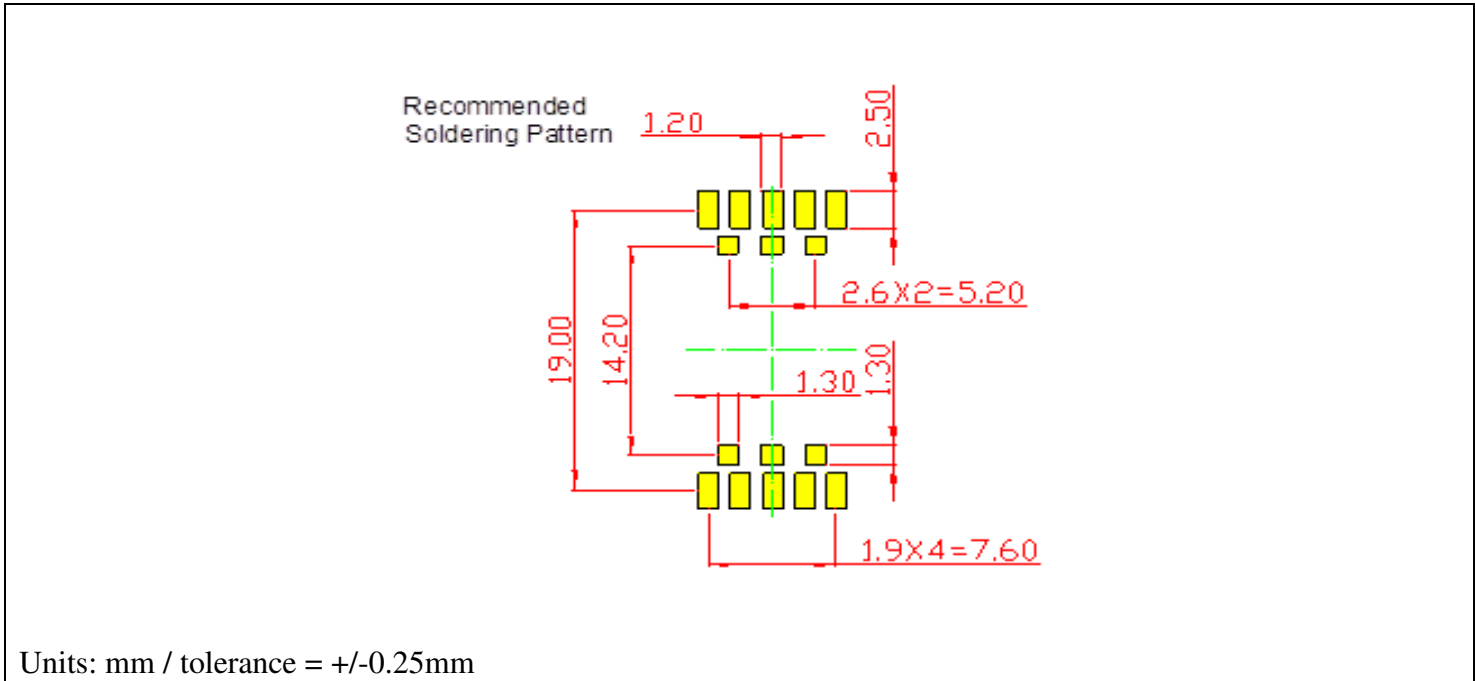
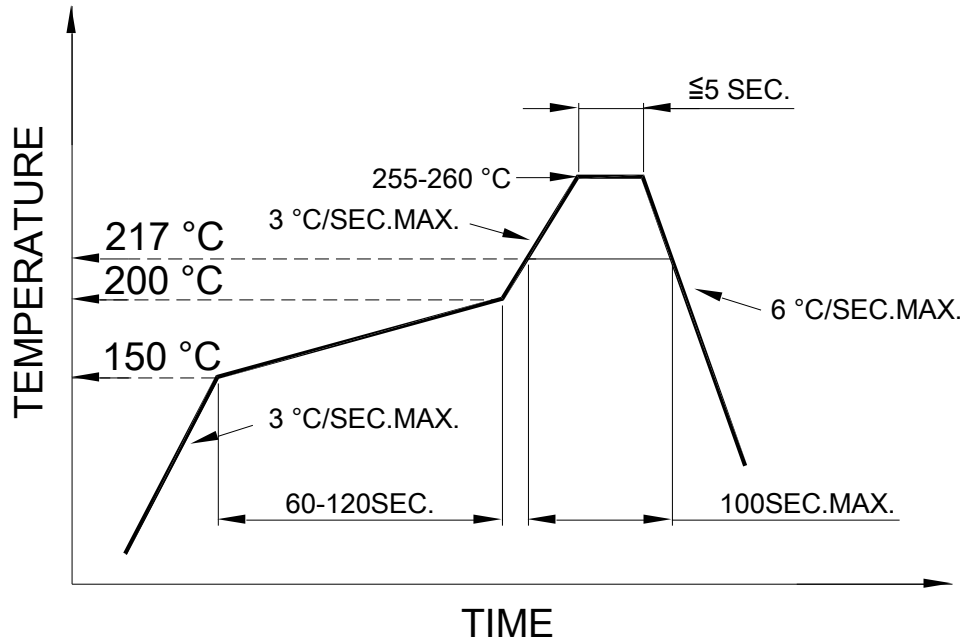
Characteristic Curves



Soldering Profile

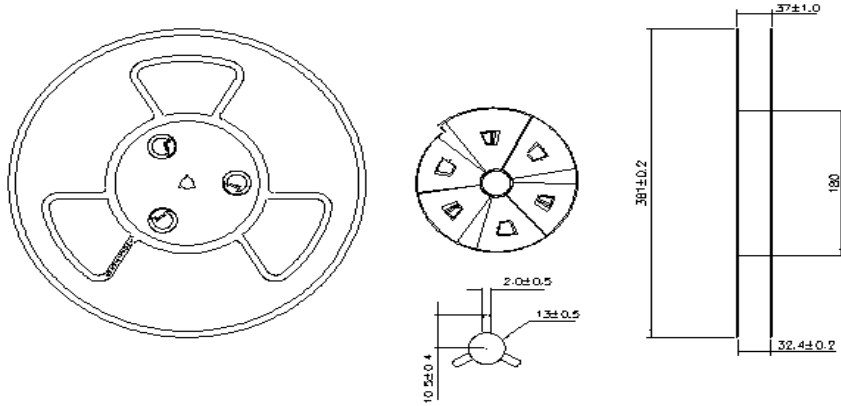
SMT Soldering Profile

Pb free reflow soldering Profile



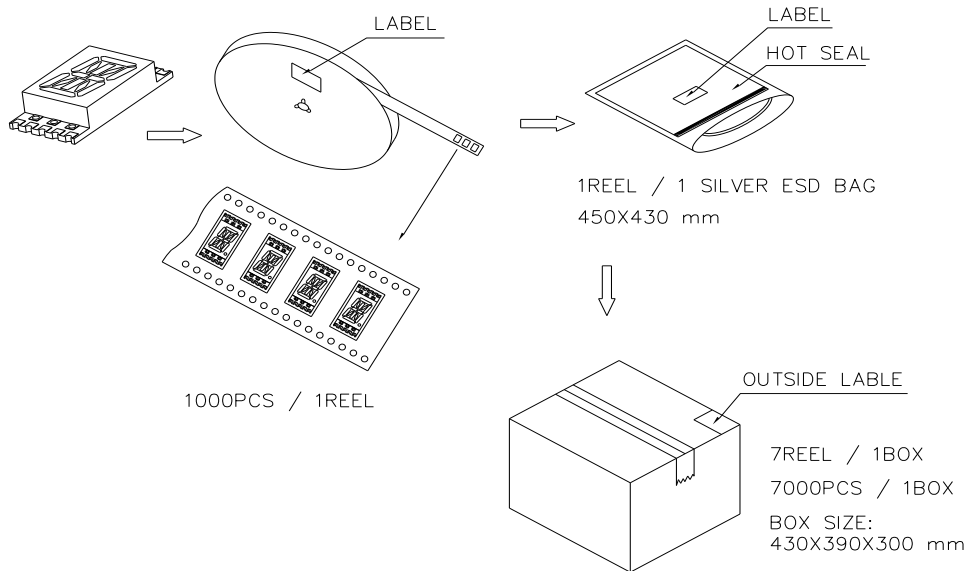
Packing

Reel Dimensions:



Unit: mm

Packing and Label Specifications:



Product: QBASS40YGZ	Date: March 25, 2014	Page 8 of 10
	Version# 1.0	



Part No: _____
 Customer P/N: _____
 Item: _____
 Q'ty: _____
 Vf: _____
 Iv: _____
 WI: _____
 Date: _____

Made in Taiwan

Ordering Information

Product		Orderable Part #		Spec Range	Quantity per Reel
CC	CA	CC	CA		
QBASS40YG1	QBASS40YG0	QBASS40YG1	QBASS40YG0	Iv=3 mcd Typ. @ I _F = 20mA/ Color: 570nm Typ.	1000

Revision History

Description:	Revision #	Revision Date
New Release of QBASS40YGZ	V1.0	03/25/2014

Disclaimer

QT-BRIGHTTEK reserves the right to make changes without further notice to any products herein to improve reliability, function or design. QT-BRIGHTTEK does not assume any liability arising out of the application or use of any product or circuit described herein; neither does it convey any license under its patent rights, nor the rights of others.

Life Support Policy

QT-BRIGHTTEK's products are not authorized for use as critical components in life support devices or systems without the express written approval of QT-BRIGHTTEK. As used herein:

1. Life support devices or systems are devices or systems which, (a) are intended for surgical implant into the body, or (b) support or sustain life, and (c) whose failure to perform when properly used in accordance with instructions for use provided in the labeling, can be reasonably expected to result in a significant injury of the user.
2. A critical component in any component of a life support device or system whose failure to perform can be reasonably expected to cause the failure of the life support device or system, or to affect its safety or effectiveness.

Product: QBASS40YGZ	Date: March 25, 2014	Page 10 of 10
	Version# 1.0	