



Chipsmall Limited consists of a professional team with an average of over 10 year of expertise in the distribution of electronic components. Based in Hongkong, we have already established firm and mutual-benefit business relationships with customers from,Europe,America and south Asia,supplying obsolete and hard-to-find components to meet their specific needs.

With the principle of “Quality Parts,Customers Priority,Honest Operation,and Considerate Service”,our business mainly focus on the distribution of electronic components. Line cards we deal with include Microchip,ALPS,ROHM,Xilinx,Pulse,ON,Everlight and Freescale. Main products comprise IC,Modules,Potentiometer,IC Socket,Relay,Connector.Our parts cover such applications as commercial,industrial, and automotives areas.

We are looking forward to setting up business relationship with you and hope to provide you with the best service and solution. Let us make a better world for our industry!



## Contact us

Tel: +86-755-8981 8866 Fax: +86-755-8427 6832

Email & Skype: info@chipsmall.com Web: www.chipsmall.com

Address: A1208, Overseas Decoration Building, #122 Zhenhua RD., Futian, Shenzhen, China



# QT-Brightek High Power Series

## 3W High Power LED

**Part No.: QBHP684U-XXV series**

**XX = Color Code  
V = 700mA**

---

**Table of Contents:**

Introduction .....	3
Electrical / Optical Characteristic ( $T_A=25^{\circ}\text{C}$ ) .....	4
Absolute Maximum Rating .....	4
Characteristic Curves.....	7
Solder Profile & Footprint.....	8
Packing .....	9
Labeling .....	9
Ordering Information .....	10
Revision History .....	11
Disclaimer .....	11

## Introduction

**Feature:**

- Package in tape and reel
- 3W High Bright LED
- Low thermal resistance < 6°C/W
- Super high flux and luminance
- AlInGaP technology for R and Y
- InGaN technology for IB and IG
- ESD Protection (IB and IG)
- ESD protection up to 8KV

**Description:**

This 3W high bright high power LED has compact size of 3.6 x 3.6mm. It is ideal for both in door and outdoor lighting

**Application:**

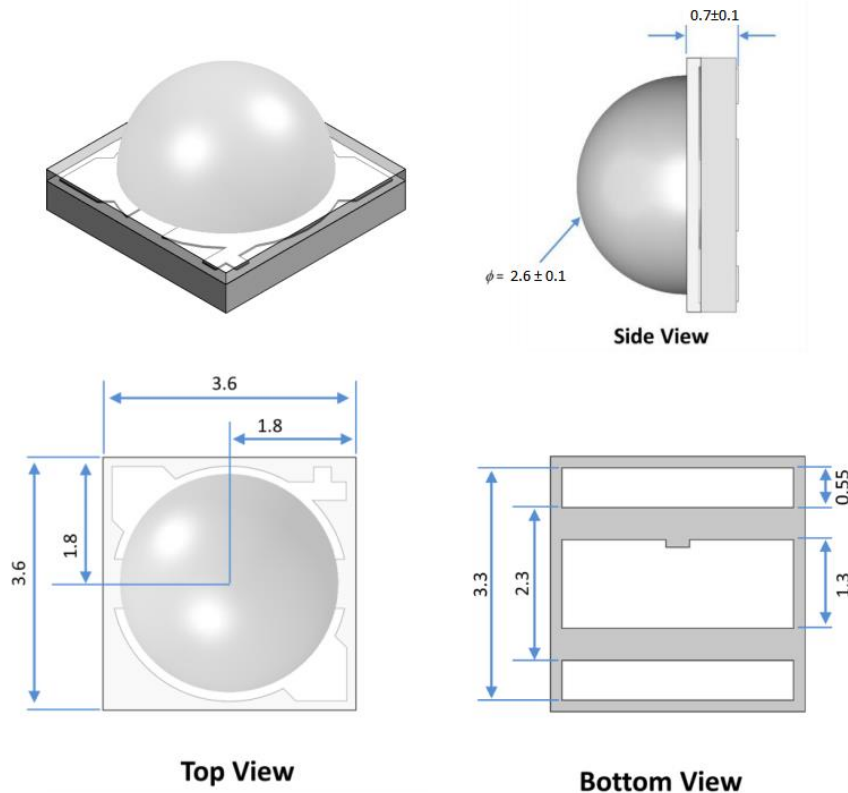
- Architectural and outdoor lighting
- Household appliances
- General lighting

**Certification & Compliance:**

- TS16949
- ISO9001
- RoHS Compliant

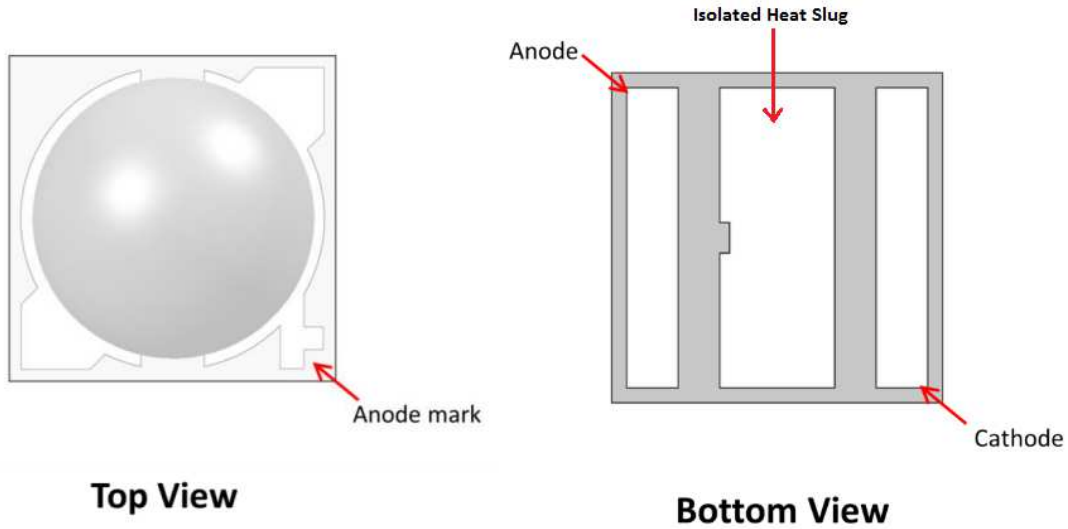


**Dimension:**



Units: mm / tolerance = +/-0.2mm

**Pad Configuration:**



**Electrical / Optical Characteristic (T<sub>A</sub>=25°C)**

Product	Color	I <sub>F</sub> (mA)	V <sub>F</sub> (V)		λ <sub>D</sub> (nm)			Φ <sub>v</sub> (lm)	
			Typ.	Max.	Min.	Typ.	Max.	Min.	Typ.
QBHP684U-RV	Red	700	2.6	2.8	620	625	630	80	105
QBHP684U-YV	Yellow	700	2.6	2.8	585	590	595	65	70
QBHP684UE-IGV	True Green	700	3.6	4.0	520	525	530	140	150
QBHP684UE-IBV	Blue	700	3.6	4.0	450	455	460	20	34

**Absolute Maximum Rating**

Material	P <sub>d</sub> (mW)	I <sub>F</sub> (mA)	I <sub>FP</sub> (mA)*	V <sub>R</sub> (V)	T <sub>OP</sub> (°C)	T <sub>ST</sub> (°C)	T <sub>SOL</sub> (°C)
AllnGaP (R/Y)	1.96	700	1000	5	-40 to +85	-40 to +100	240
InGaN (IB/IG)	2.66	700	1000	5	-40 to +85	-40 to +100	240

\*Duty 1/10 @ 0.1ms Pulse Width



**Forward Voltage  $V_F$  for AlInGaP @  $I_F=700\text{mA}$** 

Bin	Min.	Max.	Unit
D	2.0	2.2	V
E	2.2	2.4	
F	2.4	2.6	
G	2.6	2.8	

**Forward Voltage  $V_F$  for InGaN @  $I_F=700\text{mA}$** 

Bin	Min.	Max.	Unit
I	3.0	3.2	V
J	3.2	3.4	
K	3.4	3.6	
L	3.6	3.8	
M	3.8	4.0	

**Luminous Flux  $\Phi_v$  for Red @  $I_F=700\text{mA}$** 

Bin	Min.	Max.	Unit
RE	80	100	lm
RF	100	110	
RG	110	125	
RH	125	140	
RI	140	160	

**Luminous Flux  $\Phi_v$  for Yellow @  $I_F=700\text{mA}$** 

Bin	Min.	Max.	Unit
AB	65	75	lm
AC	75	85	
AD	85	100	

**Luminous Flux  $\Phi_v$  for True Green @  $I_F=700\text{mA}$** 

Bin	Min.	Max.	Unit
GB	140	150	lm
GC	150	160	
GD	160	175	
GE	175	190	
GF	190	210	

**Luminous Flux  $\Phi_v$  for Blue @  $I_F=700\text{mA}$** 

Bin	Min.	Max.	Unit
BA	20	26	lm
BB	26	35	
BC	35	50	

**Dominant Wavelength  $\lambda_D$  for Red @  $I_F=700\text{mA}$** 

Bin	Min.	Max.	Unit
R2	620	625	nm
R3	625	630	

**Dominant Wavelength  $\lambda_D$  for Yellow @  $I_F=700\text{mA}$** 

Bin	Min.	Max.	Unit
A1	585	590	nm
A2	590	595	

**Dominant Wavelength  $\lambda_D$  for True Green @  $I_F=700\text{mA}$** 

Bin	Min.	Max.	Unit
G2	520	525	nm
G3	525	530	

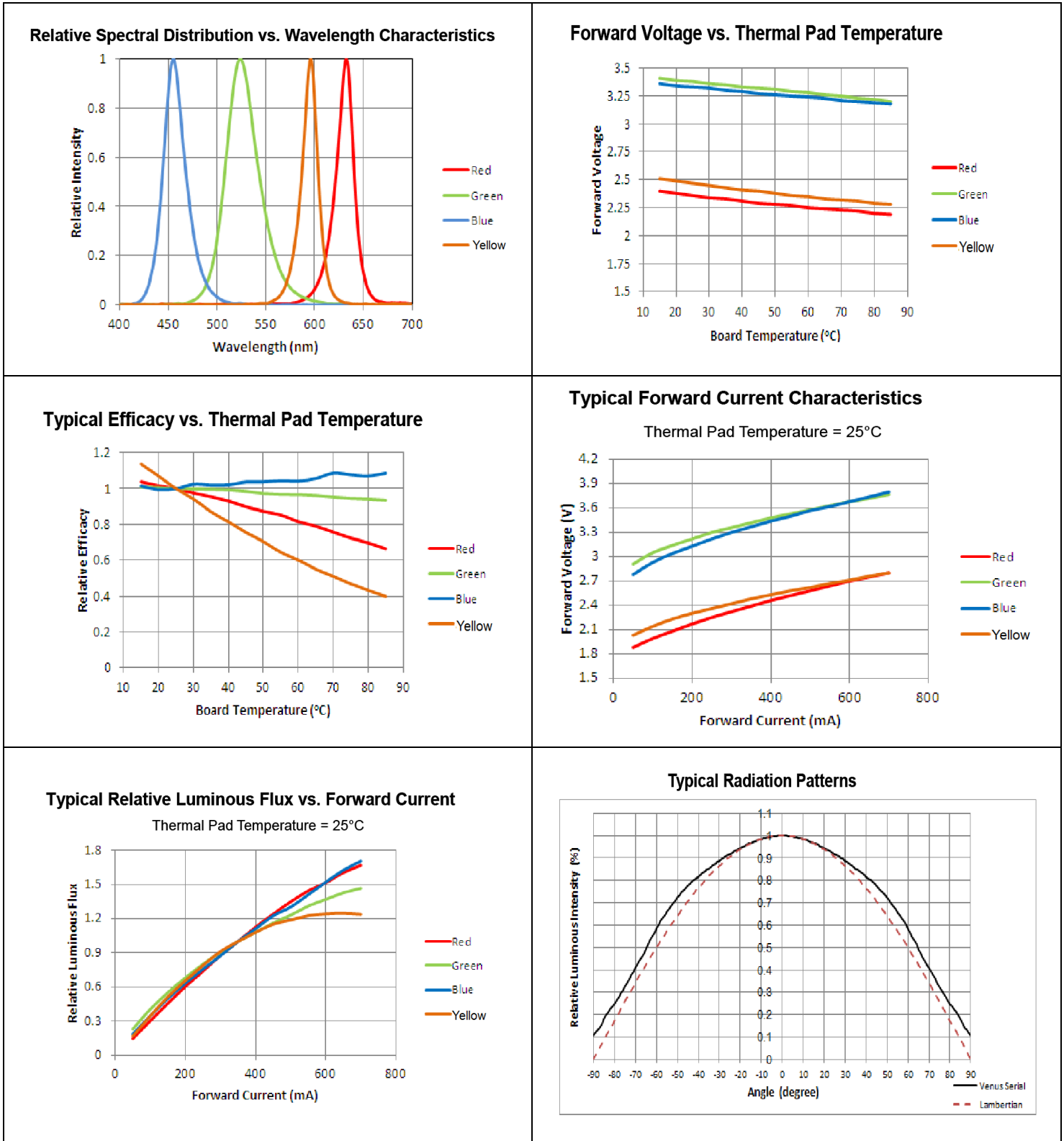
**Dominant Wavelength  $\lambda_D$  for Blue @  $I_F=700\text{mA}$** 

Bin	Min.	Max.	Unit
B2	450	460	nm

## Note:

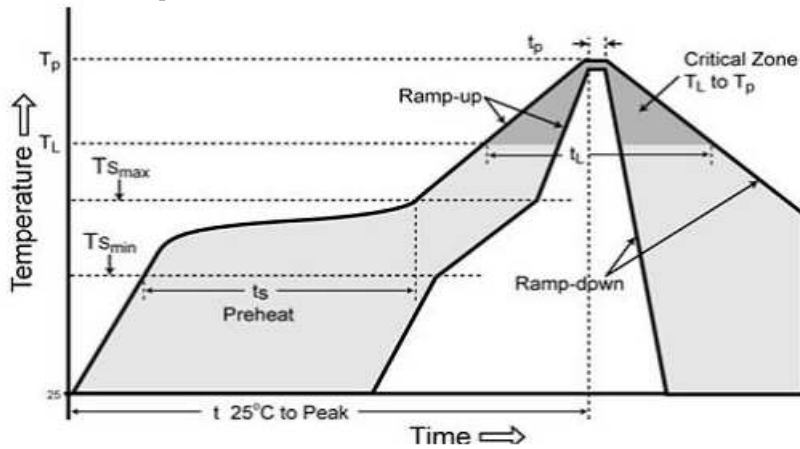
Tolerance of measurement of forward voltage:  $\pm 0.1\text{V}$ Tolerance of measurement of dominant wavelength:  $\pm 2\text{nm}$ Tolerance of measurement of luminous flux:  $\pm 10\%$

**Characteristic Curves**



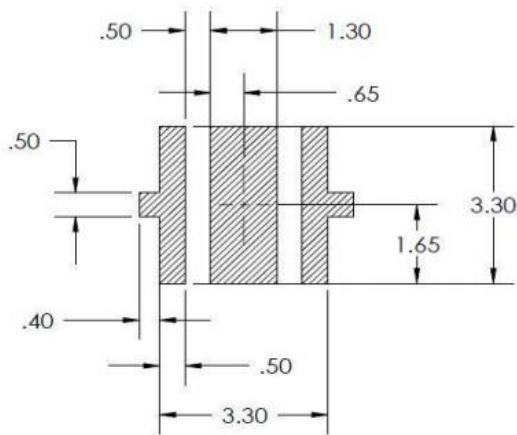


**Solder Profile & Footprint**

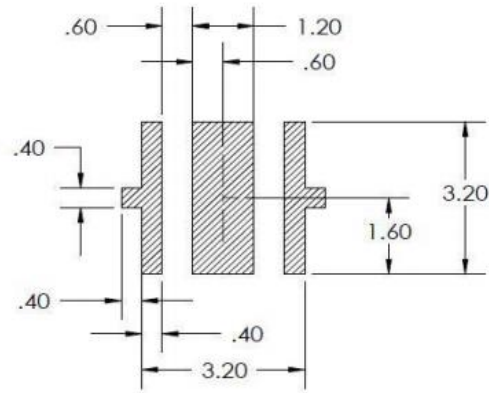


Profile Feature	Pb-Free Assembly
Average ramp-up rate (TL to TP)	3°C/second max.
Preheat	
Temperature Min (T <sub>smin</sub> )	150°C
Temperature Max (T <sub>smax</sub> )	200°C
Time (min to max) (t <sub>s</sub> )	60-180 seconds
Time maintained above:	
Temperature (TL)	217°C
Time (t <sub>L</sub> )	60-150 seconds
Peak/Classification Temperature (T <sub>p</sub> )	240°C
Time within 5°C of actual Peak Temperature (t <sub>p</sub> )	20-40 seconds
Ramp-down Rate	6°C/second max.
Time 25°C to Peak Temperature	8 minutes max.

**Recommended Soldering Pattern:**



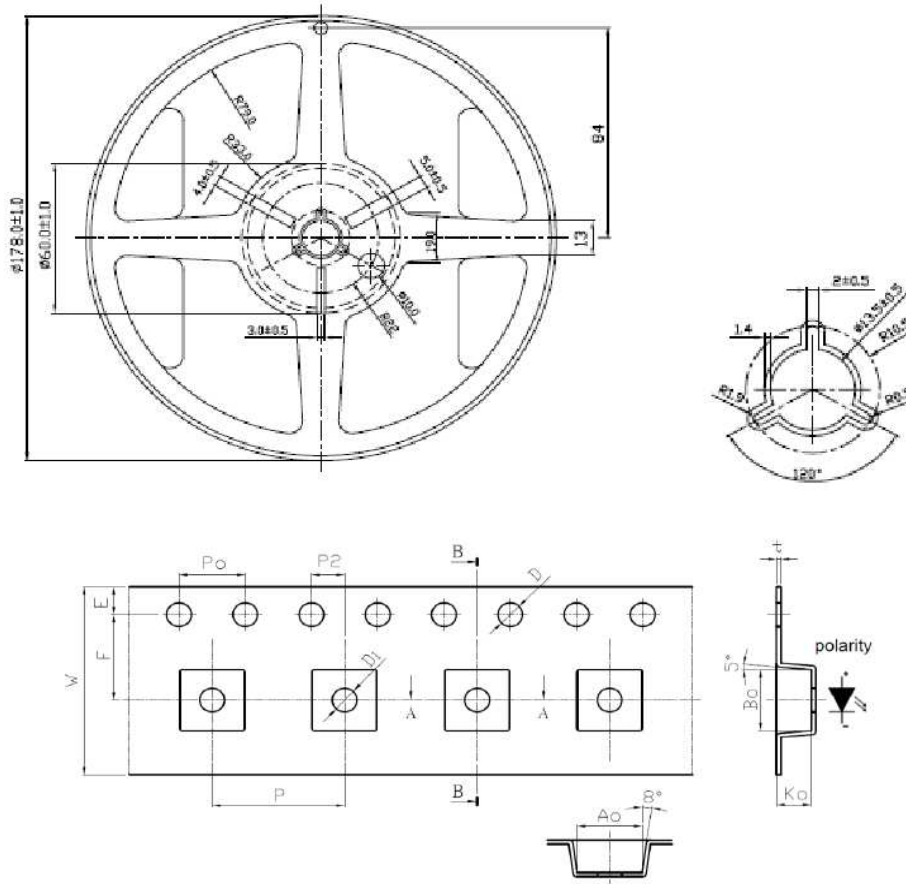
RECOMMENDED PCB SOLDER PAD



RECOMMENDED STENCIL PATTERN  
(HATCHED AREA IS OPENING)

## Packing

### Tape and Reel:



Unit: mm

## Labeling



Part No: \_\_\_\_\_

Customer P/N: \_\_\_\_\_

Item: \_\_\_\_\_

Q'ty: \_\_\_\_\_

Vf: \_\_\_\_\_

Iv: \_\_\_\_\_

WI: \_\_\_\_\_

Date: \_\_\_\_\_

**Made in Taiwan**

---

**Ordering Information**

Part #	Orderable Part #	Spec Range	Quantity per reel
QBHP684U-RV	QBHP684U-RV	$\Phi_v=105\text{lm typ. @ } I_F=700\text{mA} /$ $\lambda_D=620\text{nm to } 630\text{nm}$	1000 units
QBHP684U-YV	QBHP684U-YV	$\Phi_v=70\text{lm typ. @ } I_F=700\text{mA} /$ $\lambda_D=585\text{nm to } 595\text{nm}$	1000 units
QBHP684UE-IGV	QBHP684UE-IGV	$\Phi_v=150\text{lm typ. @ } I_F=700\text{mA} /$ $\lambda_D=520\text{nm to } 530\text{nm}$	1000 units
QBHP684UE-IBV	QBHP684UE-IBV	$\Phi_v=34\text{lm typ. @ } I_F=700\text{mA} /$ $\lambda_D=450\text{nm to } 460\text{nm}$	1000 units

---

## Revision History

Description:	Revision #	Revision Date
New Release of QBHP684U-XXV series	V1.0	08/26/2013
Update soldering pattern	V1.1	09/24/2013
Update green luminous flux	V1.2	10/17/2013
Add VF bin	V1.3	03/27/2014
Update luminous flux	V1.4	04/30/2014
Update package drawing to ceramic package	V2.0	04/24/2015
Add luminous flux bin	V2.1	04/28/2015

## Disclaimer

QT-BRIGHTTEK reserves the right to make changes without further notice to any products herein to improve reliability, function or design. QT-BRIGHTTEK does not assume any liability arising out of the application or use of any product or circuit described herein; neither does it convey any license under its patent rights, nor the rights of others.

## Life Support Policy

QT-BRIGHTTEK's products are not authorized for use as critical components in life support devices or systems without the express written approval of QT-BRIGHTTEK. As used herein:

1. Life support devices or systems are devices or systems which, (a) are intended for surgical implant into the body, or (b) support or sustain life, and (c) whose failure to perform when properly used in accordance with instructions for use provided in the labeling, can be reasonably expected to result in a significant injury of the user.
2. A critical component in any component of a life support device or system whose failure to perform can be reasonably expected to cause the failure of the life support device or system, or to affect its safety or effectiveness.