



Chipsmall Limited consists of a professional team with an average of over 10 year of expertise in the distribution of electronic components. Based in Hongkong, we have already established firm and mutual-benefit business relationships with customers from,Europe,America and south Asia,supplying obsolete and hard-to-find components to meet their specific needs.

With the principle of "Quality Parts,Customers Priority,Honest Operation,and Considerate Service",our business mainly focus on the distribution of electronic components. Line cards we deal with include Microchip,ALPS,ROHM,Xilinx,Pulse,ON,Everlight and Freescale. Main products comprise IC,Modules,Potentiometer,IC Socket,Relay,Connector.Our parts cover such applications as commercial,industrial, and automotives areas.

We are looking forward to setting up business relationship with you and hope to provide you with the best service and solution. Let us make a better world for our industry!



Contact us

Tel: +86-755-8981 8866 Fax: +86-755-8427 6832

Email & Skype: info@chipsmall.com Web: www.chipsmall.com

Address: A1208, Overseas Decoration Building, #122 Zhenhua RD., Futian, Shenzhen, China



QT-Brightek Chip LED Series

SMD 1206 Sideview LED

Part No.: QBLP615 series

Table of Contents

Introduction	3
Electrical / Optical Characteristic (T=25 °C)	4
Absolute Maximum Rating	4
Characteristic Curves.....	7
Solder Profile & Footprint.....	9
Packing	10
Labeling	11
Ordering Information	12
Revision History	13
Disclaimer	13

Introduction

Feature:

- Water clear lens
- Package in tape and reel
- Side View Ultra bright 1206 LED package
- InGaN technology for IB/IG
- AlInGaP technology for R/AG/Y/S/O
- Viewing angle 150°

Description:

These ultra bright side view 1206 LEDs have a height profile of 1.0mm. With higher packing density and smaller footprint, these LEDs are ideal for smaller equipment and miniature application.

Application:

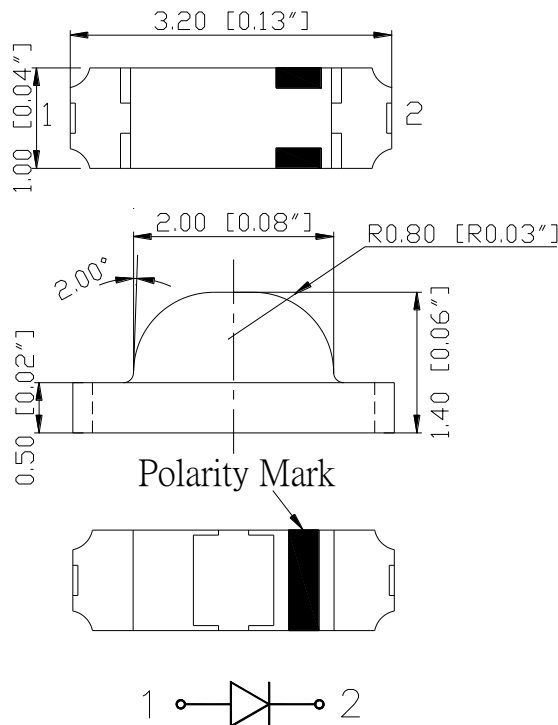
- Status indication
- Back lighting application
- General Use

Certification & Compliance:

- TS16949
- ISO9001
- RoHS Compliant



Dimension:



Units: mm / tolerance = +/-0.1mm

Electrical / Optical Characteristic (T=25 °C)

Product	Color	I _F (mA)	V _F (V)		λ _D (nm)			I _V (mcd)	
			Typ.	Max.	Min.	Typ.	Max.	Min.	Typ.
QBLP615-IB	Blue	20	3.1	3.7	455	460	465	40	70
QBLP615-IG	True Green	20	3.1	3.7	520	525	530	125	320
QBLP615-R	Red	20	2.0	2.5	615	620	630	80	140
QBLP615-AG	Yellow Green	20	2.0	2.5	565	570	576	20	63
QBLP615-Y	Yellow	20	2.0	2.5	585	590	595	63	120
QBLP615-O	Orange	20	2.0	2.5	600	605	610	80	150
QBLP615-S	Deep Red	20	2.0	2.5	625	630	635	50	85

Absolute Maximum Rating

Material	P _d (mW)	I _F (mA)	I _{FP} (mA)*	V _R (V)	T _{OP} (°C)	T _{ST} (°C)	T _{SOL} (°C)**
InGaN (IB/IG)	111	30	125	5	-40 ~ +80	-40 ~ +85	260
AllnGaP (R/AG/Y/O/S)	75	30	125	5	-40 ~ +80	-40 ~ +85	260

*Duty 1/8 @ 1kHz

**IR Reflow for no more than 10 sec @ 260 °C

Forward Voltage V_F for AllnGaP @ I_F=20mA

Bin	Min.	Max.	Unit
□	1.7	2.5	V

Forward Voltage V_F for InGaN @ I_F=20mA

Bin	Min.	Max.	Unit
f	2.8	3.1	V
g	3.1	3.4	
h	3.4	3.7	

Luminous Intensity I_V @ $I_F=20mA$

Bin	Min.	Max.	Unit
C	20	25	mcd
D	25	32	
E	32	40	
F	40	50	
G	50	63	
H	63	80	
I	80	100	
J	100	125	
K	125	160	
L	160	200	
M	200	250	
N	250	320	
O	320	400	
P	400	500	
Q	500	630	

Dominant Wavelength λ_D for Blue @ $I_F=20mA$

Bin	Min.	Max.	Unit
C	455	457.5	nm
D	457.5	460	
E	460	462.5	
F	462.5	465	

Dominant Wavelength λ_D for True Green @ $I_F=20mA$

Bin	Min.	Max.	Unit
U	520	522.5	nm
V	522.5	525	
W	525	527.5	
X	527.5	530	

Dominant Wavelength λ_D for Red @ $I_F=20mA$

Bin	Min.	Max.	Unit
s	615	620	nm
t	620	625	
u	625	630	

Dominant Wavelength λ_D for Yellow Green @ $I_F=20\text{mA}$

Bin	Min.	Max.	Unit
h	565	568	nm
i	568	572	
j	572	576	

Dominant Wavelength λ_D for Yellow @ $I_F=20\text{mA}$

Bin	Min.	Max.	Unit
m	585	590	nm
n	590	595	

Dominant Wavelength λ_D for Orange @ $I_F=20\text{mA}$

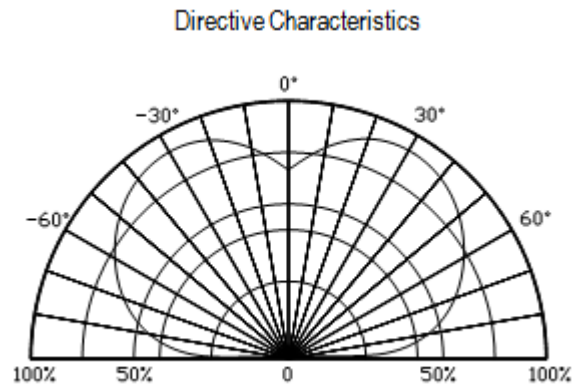
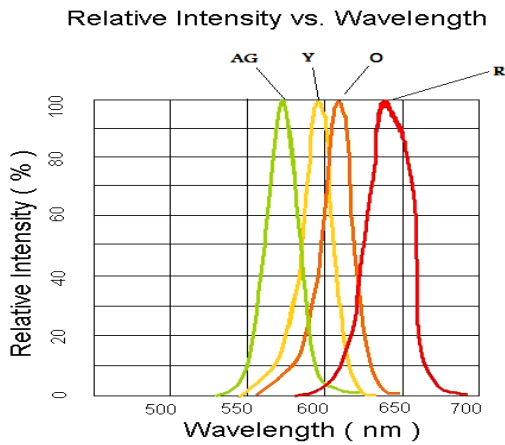
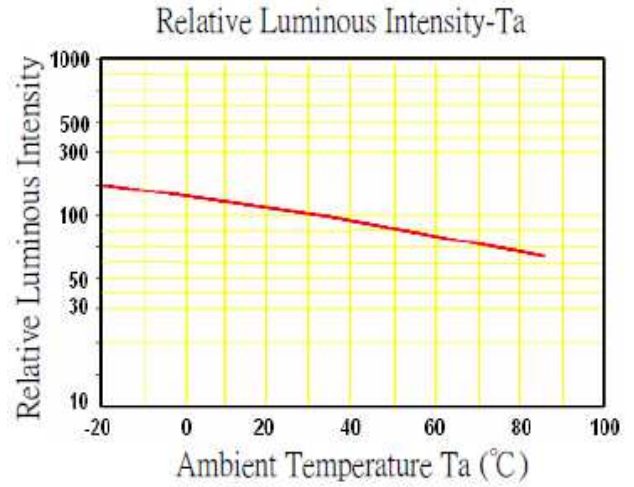
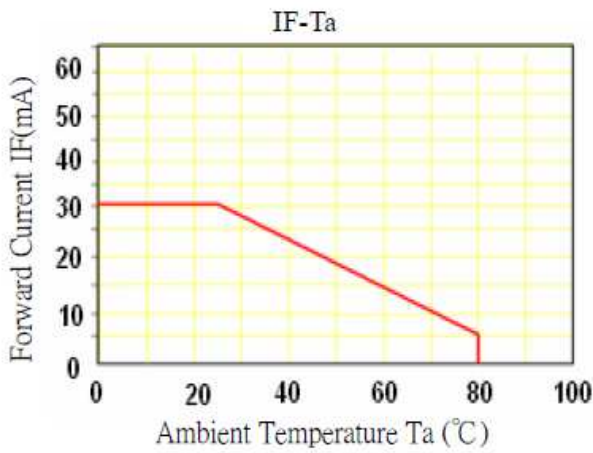
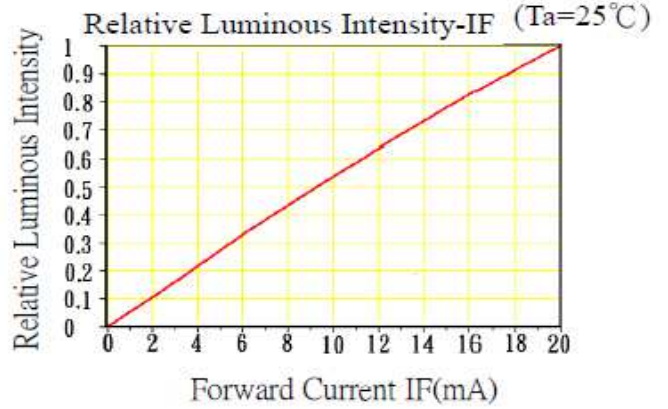
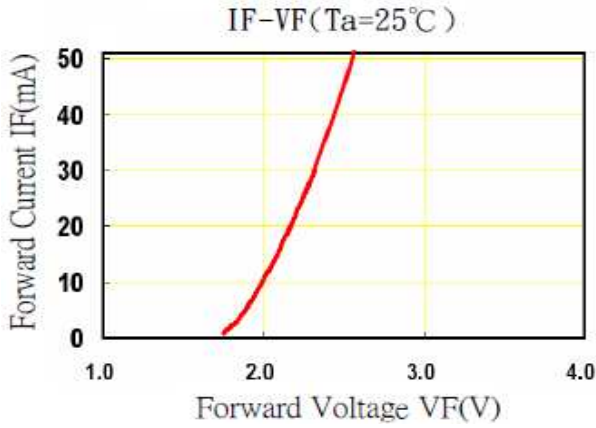
Bin	Min.	Max.	Unit
p	600	605	nm
q	605	610	

Dominant Wavelength λ_D for Red @ $I_F=20\text{mA}$

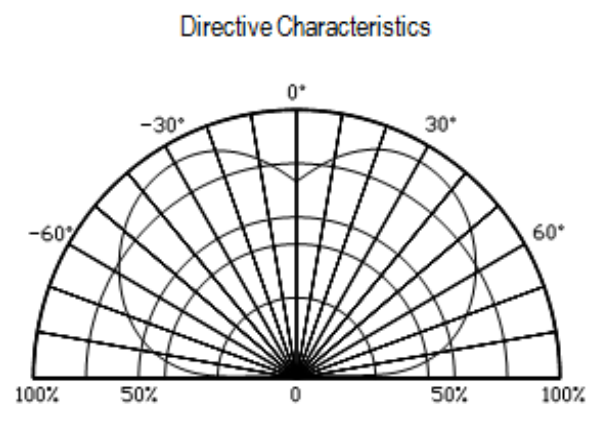
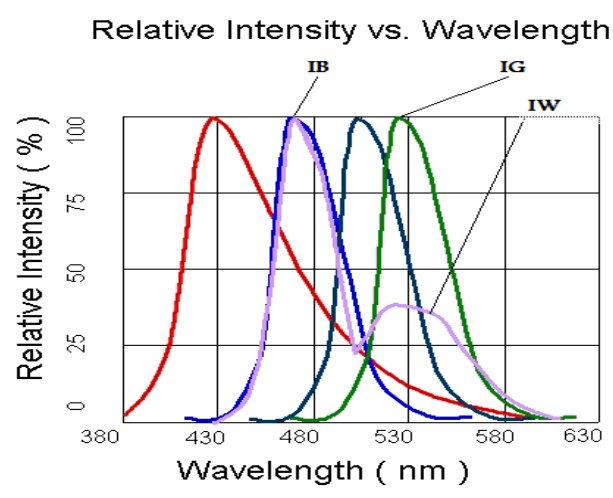
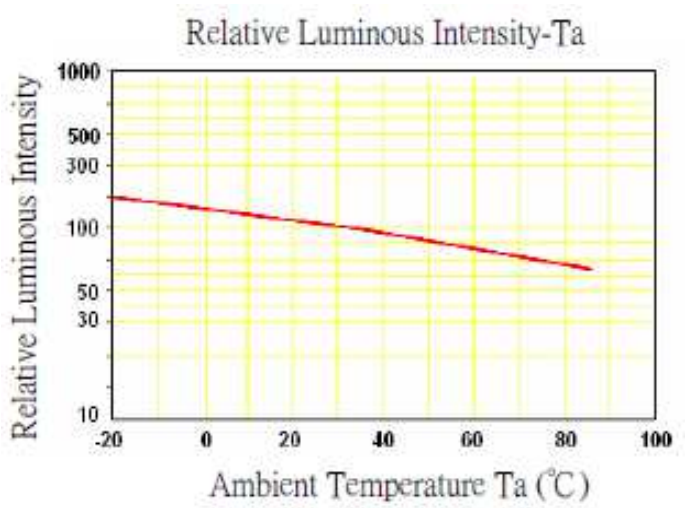
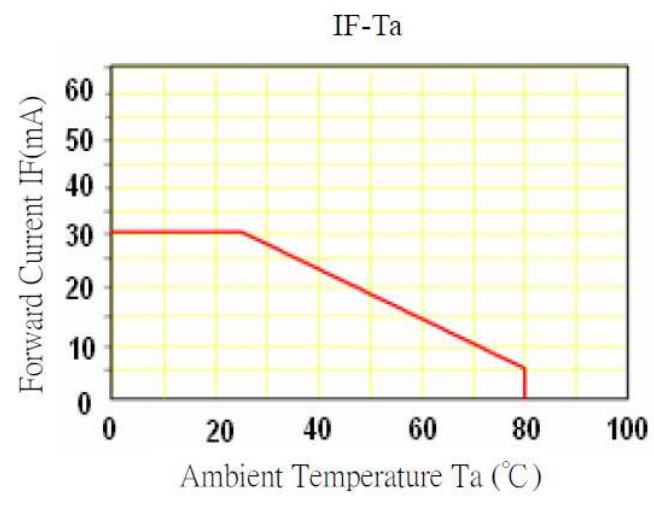
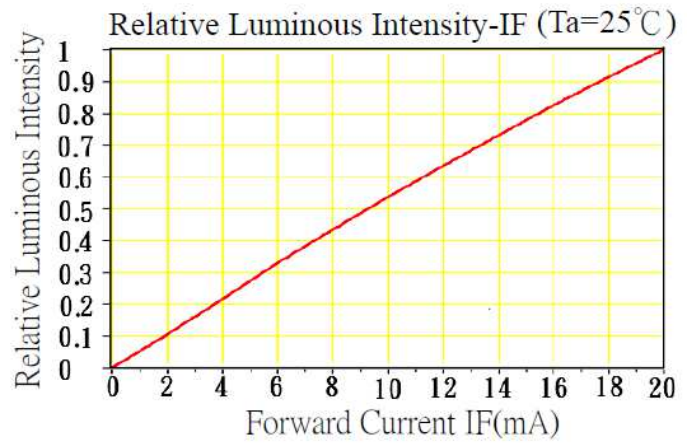
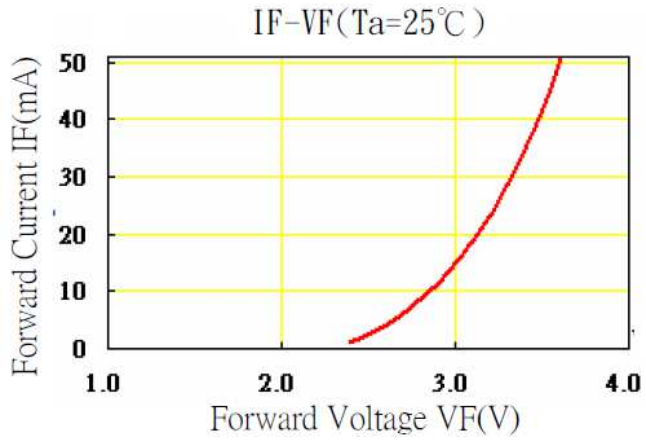
Bin	Min.	Max.	Unit
u	625	630	nm
v	630	635	

Characteristic Curves

AllnGaP (R/AG/Y/O/S)

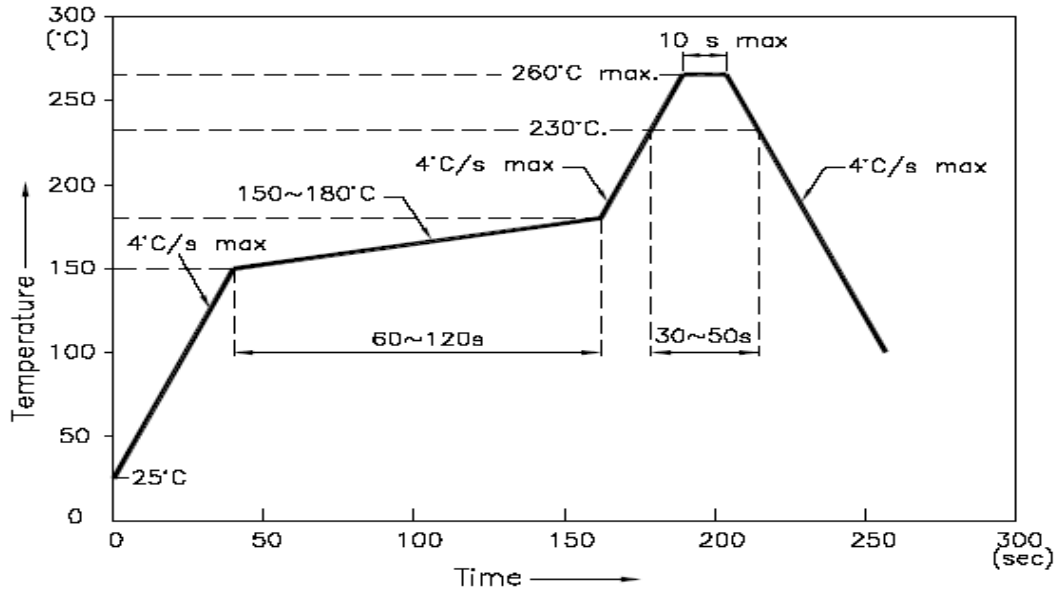


InGaN (IB/IG/IW)

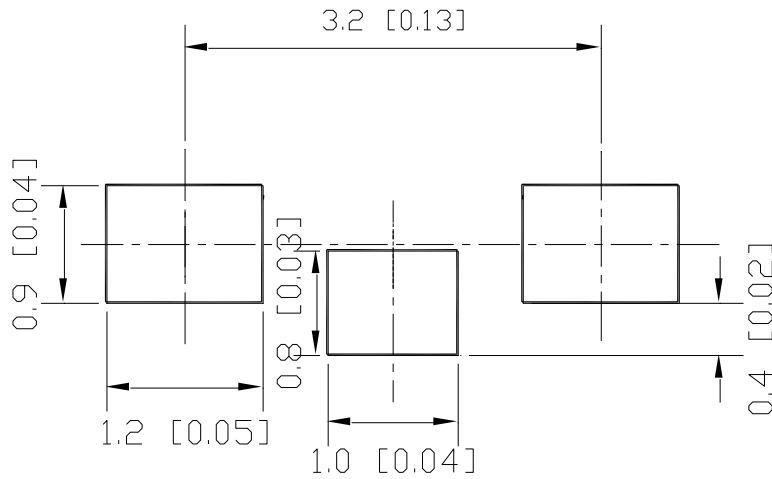


Solder Profile & Footprint

- Recommended tin glue specifications: melting temperature in the range of 178~192 °C
- The recommended reflow soldering profile is as follows (temperatures indicated are as measured on the surface of the LED resin):



Recommended Pad Layout

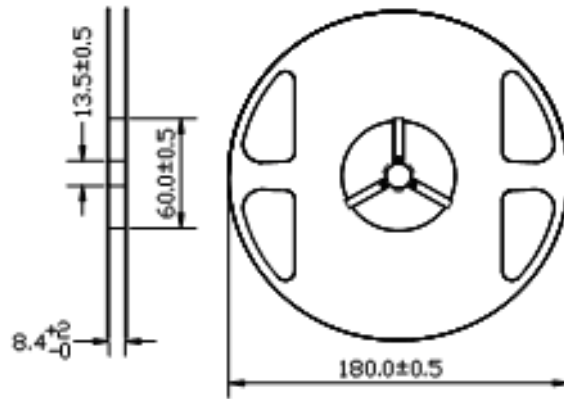


Units: mm

Tolerance: ± 0.1mm

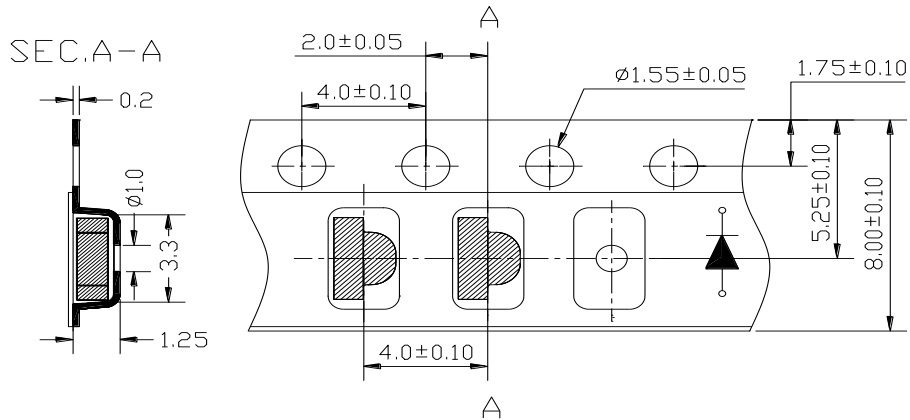
Packing

Reel Dimension:



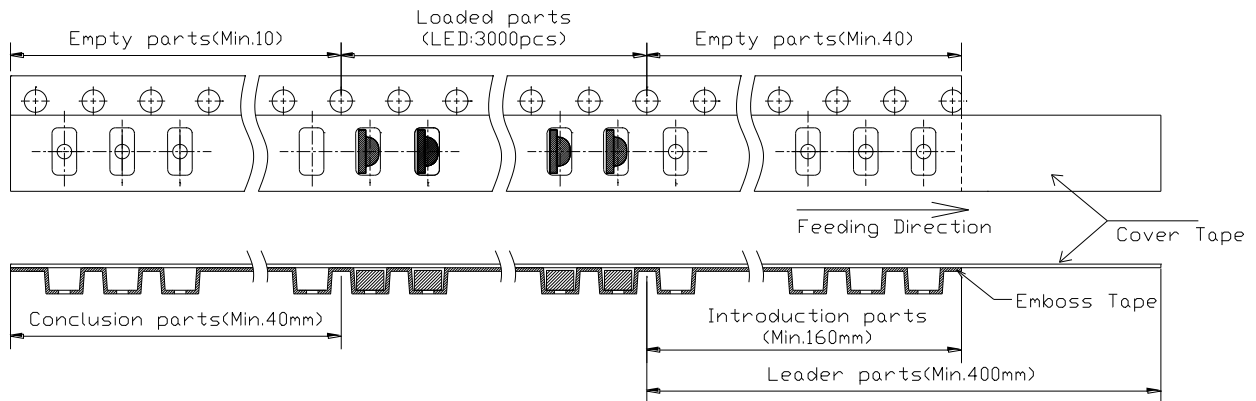
Unit: mm

Tape Dimension:

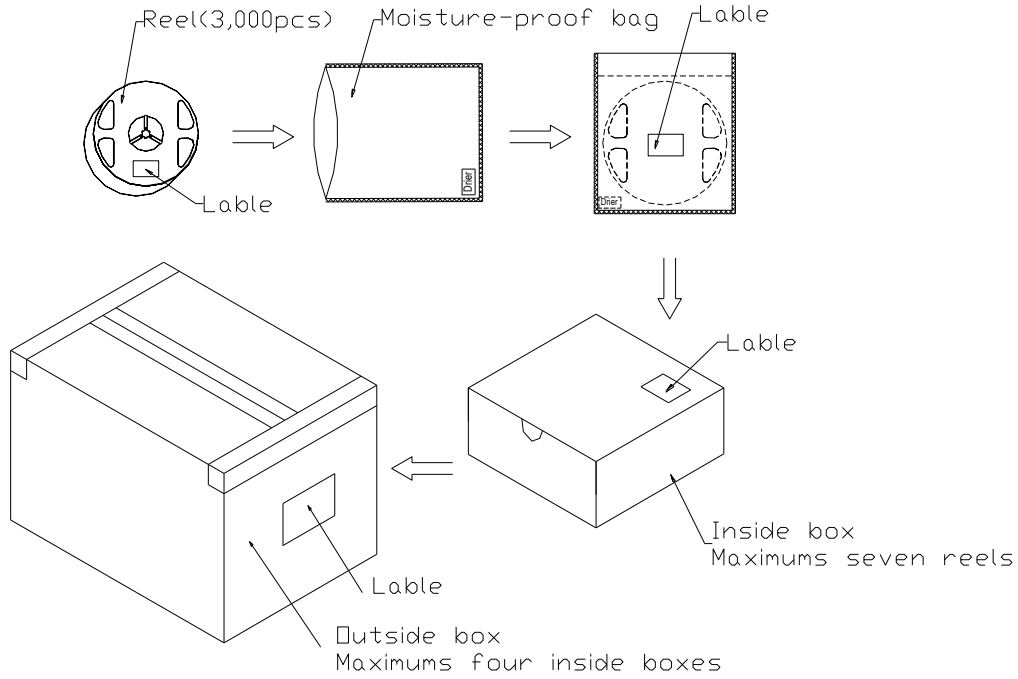


Unit: mm

Arrangement of Tape:



Packaging Specifications:



Labeling



Part No: _____

Customer P/N: _____

Item: _____

Q'ty: _____

Vf: _____

Iv: _____

WI: _____

Date: _____

Made in China

Ordering Information

Part #	Orderable Part #	Spec Range	Quantity per reel
QBLP615-IB	QBLP615-IB	Iv=70mcd typ. @ 20mA / Color=455nm ~ 465nm	3,000 units
QBLP615-IG	QBLP615-IG	Iv=320 mcd typ. @ 20mA / Color=520nm ~ 530nm	3,000 units
QBLP615-R	QBLP615-R	Iv=140mcd typ. @ 20mA / Color=615nm ~ 630nm	3,000 units
QBLP615-AG	QBLP615-AG	Iv=63mcd typ. @ 20mA / Color=565nm ~ 576nm	3,000 units
QBLP615-Y	QBLP615-Y	Iv=120mcd typ. @ 20mA / Color=585nm ~ 595nm	3,000 units
QBLP615-O	QBLP615-O	Iv=150 mcd typ. @ 20mA / Color=600nm ~ 610nm	3,000 units
QBLP615-S	QBLP615-S	Iv=85 mcd typ. @ 20mA / Color=625nm ~ 635nm	3,000 units

Revision History

Description:	Revision #	Revision Date
New Release of QBLP615_series	V1.0	06/25/2011
Amend drawing and footprint	V1.1	11/28/2011
Amend new format/ drawings/ update spec of blue/ red/ orange/ Yellow/ Add Deep Red spec	V1.2	11/18/2013
Update solder Profile and characteristic curve, add viewing angle	V1.3	02/04/2014

Disclaimer

QT-BRIGHTTEK reserves the right to make changes without further notice to any products herein to improve reliability, function or design. QT-BRIGHTTEK does not assume any liability arising out of the application or use of any product or circuit described herein; neither does it convey any license under its patent rights, nor the rights of others.

Life Support Policy

QT-BRIGHTTEK's products are not authorized for use as critical components in life support devices or systems without the express written approval of QT-BRIGHTTEK. As used herein:

1. Life support devices or systems are devices or systems which, (a) are intended for surgical implant into the body, or (b) support or sustain life, and (c) whose failure to perform when properly used in accordance with instructions for use provided in the labeling, can be reasonably expected to result in a significant injury of the user.
2. A critical component in any component of a life support device or system whose failure to perform can be reasonably expected to cause the failure of the life support device or system, or to affect its safety or effectiveness.