



Chipsmall Limited consists of a professional team with an average of over 10 year of expertise in the distribution of electronic components. Based in Hongkong, we have already established firm and mutual-benefit business relationships with customers from,Europe,America and south Asia,supplying obsolete and hard-to-find components to meet their specific needs.

With the principle of “Quality Parts,Customers Priority,Honest Operation,and Considerate Service”,our business mainly focus on the distribution of electronic components. Line cards we deal with include Microchip,ALPS,ROHM,Xilinx,Pulse,ON,Everlight and Freescale. Main products comprise IC,Modules,Potentiometer,IC Socket,Relay,Connector.Our parts cover such applications as commercial,industrial, and automotives areas.

We are looking forward to setting up business relationship with you and hope to provide you with the best service and solution. Let us make a better world for our industry!



Contact us

Tel: +86-755-8981 8866 Fax: +86-755-8427 6832

Email & Skype: info@chipsmall.com Web: www.chipsmall.com

Address: A1208, Overseas Decoration Building, #122 Zhenhua RD., Futian, Shenzhen, China

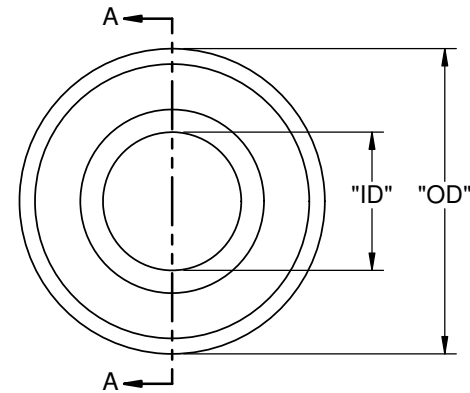
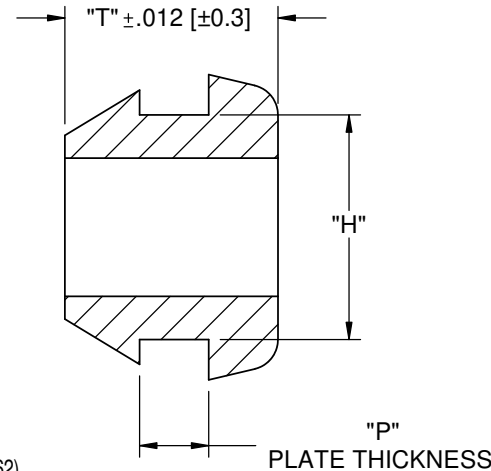


PART NO. "P"=3.5 MAX [.138]	"H"	HOLE SIZE	"T"	INSIDE DIAMETER "ID"	OUTSIDE DIAMETER "OD"	MATERIAL
**QFG-1	18±0.25 [.709]	18.5-20 [.728-.787]	11.4 [.449]	13±0.25 [.512]	24.5±0.25 [.965]	SILICONE RUBBER SHORE A 55±5, (RMS-368)
**QFG-2	24±0.25 [.945]	25-26 [.984-1.024]	10.4 [.409]	18±0.25 [.709]	29.5±0.25 [1.16]	

PART NO. "T"=.315 [8] "P"=.06 [1.5]	PART NO. "T"=.375 [9.5] "P"=.12 [3]	HOLE SIZE "H"	INSIDE DIAMETER "ID"	OUTSIDE DIAMETER "OD"
*QFG-16200	*QFG-16220	.39 [10]	.24 [6]	.53 [13.5]
*QFG-16201	---	.43 [11]	.28 [7]	.57 [14.5]
---	*QFG-16222	.47 [12]	.32 [8]	.61 [15.5]
*QFG-16203	QFG-16223	.55 [14]	.39 [10]	.69 [17.5]
*QFG-16204	*QFG-16224	.63 [16]	.47 [12]	.77 [19.5]
QFG-16205	---	.71 [18]	.55 [14]	.85 [21.5]
*QFG-16207	---	.87 [22]	.71 [18]	1.00 [25.4]
---	*QFG-16228	1.02 [26]	.87 [22]	1.16 [29.5]
QFG-16209	QFG-16229	1.10 [28]	.94 [24]	1.24 [31.5]

*SEE NOTE 2.

**PART DESIGNED IN METRIC, IMPERIAL DIMENSIONS FOR REFERENCE ONLY.



NOTES:
 1. MATERIAL: PVC (RMS-25)
 COLOR: BLACK.
 *2. MATERIAL: THERMOPLASTIC ELASTOMER UL 94 HB (RMS-262)
 COLOR: BLACK.
 -THERMOPLASTIC ELASTOMER UL 94 HB (RMS-374), COLOR WHITE.
 AVAILABLE BY SPECIAL ORDER ONLY.
 TO ORDER ADD SUFFIX "WH" TO THE PART NO.

SECTION A-A
 SCALE 3 : 1

REV.	DESCRIPTION	ENGR.	DATE
L	SEE CO 200699 FOR CHANGES	SK	08/16/11
K	SEE CO 200366 FOR CHANGES	SK	05/20/09
J	SEE CO 200249 FOR CHANGES	SK	09/25/08
I	SEE CO 200241 FOR CHANGES	SK	09/16/08
H	SEE CO 200149 FOR CHANGES	SK	04/10/08
G	SEE CO 200109 FOR CHANGES	SK	01/18/08
F	SEE CO 200041 FOR CHANGES	SK	09/28/07
E	SEE CO 200017 FOR CHANGES	SK	09/17/07
D	COMPLETELY REDRAWN. SEE ECN #1074	SK	10/11/06
-	SEE ENGINEERING FOR REV A-C	---	---

TITLE: QUICK-FIT GROMMET				⊕	⊖	DWG IN IN [MM]	QR
CREATED USING SOLIDWORKS	FILE #: QFG	DWN: SK	APP: RT	FINAL			
TOLERANCES UNLESS NOTED .XX=±.010 .XXX=±.005 FRAC.=±1/64 ANG.=±1°	SHEET: 1 OF 1	SHEET SIZE: A	DT: 10/11/05	CHKD: DZ	PART #		PRINT TYPE
RE: RICHCO, INC.	RICHCO, INC. ENG@RICHCO-INC.COM (773) 539-4060		SEE TABLE		CA		