



Chipsmall Limited consists of a professional team with an average of over 10 year of expertise in the distribution of electronic components. Based in Hongkong, we have already established firm and mutual-benefit business relationships with customers from,Europe,America and south Asia,supplying obsolete and hard-to-find components to meet their specific needs.

With the principle of “Quality Parts,Customers Priority,Honest Operation,and Considerate Service”,our business mainly focus on the distribution of electronic components. Line cards we deal with include Microchip,ALPS,ROHM,Xilinx,Pulse,ON,Everlight and Freescale. Main products comprise IC,Modules,Potentiometer,IC Socket,Relay,Connector.Our parts cover such applications as commercial,industrial, and automotives areas.

We are looking forward to setting up business relationship with you and hope to provide you with the best service and solution. Let us make a better world for our industry!



Contact us

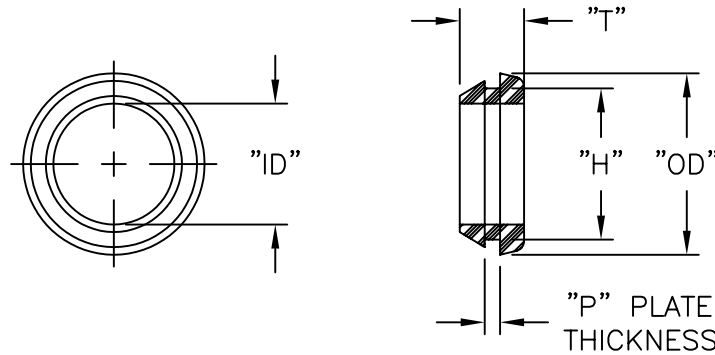
Tel: +86-755-8981 8866 Fax: +86-755-8427 6832

Email & Skype: info@chipsmall.com Web: www.chipsmall.com

Address: A1208, Overseas Decoration Building, #122 Zhenhua RD., Futian, Shenzhen, China



PART NO.			HOLE SIZE "H"	INSIDE DIAMETER "ID"	OUTSIDE DIAMETER "OD"
"T"=.32 (8.0) "P"=.06 (1.5)	"T"=.33 (8.5) "P"=.08 (2.0)	"T"=.37 (9.5) "P"=.12 (3.0)			
QFG-16200	QFG-16210	QFG-16220	.39 (10.0)	.24 (6.0)	.53 (13.5)
QFG-16201	QFG-16211	QFG-16221	.43 (11.0)	.28 (7.0)	.57 (14.5)
QFG-16202	QFG-16212	QFG-16222	.47 (12.0)	.32 (8.0)	.61 (15.5)
QFG-16203	QFG-16213	QFG-16223	.55 (14.0)	.39 (10.0)	.69 (17.5)
QFG-16204	QFG-16214	QFG-16224	.63 (16.0)	.47 (12.0)	.77 (19.5)
QFG-16205	QFG-16215	QFG-16225	.71 (18.0)	.55 (14.0)	.85 (21.5)
QFG-16207	QFG-16217	QFG-16227	.87 (22.0)	.71 (18.0)	1.00 (25.4)
QFG-16208	QFG-16218	QFG-16228	1.02 (26.0)	.87 (22.0)	1.16 (29.5)
QFG-16209	QFG-16219	QFG-16229	1.10 (28.0)	.94 (24.0)	1.24 (31.5)



NOTES:

1. MAT'L: PVC (RMS-25).
2. COLOR: BLACK.

B		CHANGED FILE NO. AND TITLE BLOCK	SM 08.27.02	TITLE: QUICK-FIT GROMMET		DWG IN IN (MM)				
A		P/N QFG-16206, -16216, -16226 REMOVED	PB 11.04.94	TOLERANCES UNLESS NOTED .XX=±.010 .XXX=±.005 FRAC=±1/64 ANG=±1°	FILE # QFG MAT'L: SEE NOTES RE: RICHCO, INC.	DWN: P.B. DT: 05-09-94 DT:	APP: RICHCO INC. PO BOX 804238, CHICAGO, 60680 (773) 539-4060	DWG IN IN (MM) FINAL	PART # SEE TABLE	PRINT TYPE CA
REV		DESCRIPTION	ENGR DATE							