



Chipsmall Limited consists of a professional team with an average of over 10 year of expertise in the distribution of electronic components. Based in Hongkong, we have already established firm and mutual-benefit business relationships with customers from,Europe,America and south Asia,supplying obsolete and hard-to-find components to meet their specific needs.

With the principle of “Quality Parts,Customers Priority,Honest Operation,and Considerate Service”,our business mainly focus on the distribution of electronic components. Line cards we deal with include Microchip,ALPS,ROHM,Xilinx,Pulse,ON,Everlight and Freescale. Main products comprise IC,Modules,Potentiometer,IC Socket,Relay,Connector.Our parts cover such applications as commercial,industrial, and automotives areas.

We are looking forward to setting up business relationship with you and hope to provide you with the best service and solution. Let us make a better world for our industry!



## Contact us

Tel: +86-755-8981 8866 Fax: +86-755-8427 6832

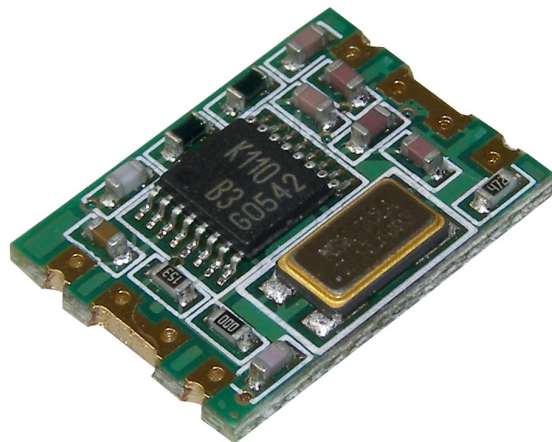
Email & Skype: info@chipsmall.com Web: www.chipsmall.com

Address: A1208, Overseas Decoration Building, #122 Zhenhua RD., Futian, Shenzhen, China



### Features

- Complete RF Transmitter
- Transmit Range Up To 100m\*
- CMOS / TTL Input
- No Adjustable Components
- Very Stable Operating Frequency
- Low Current Consumption (Typ 15mA)
- LV TTL Operating Voltage (2.2-3.5v)
- FSK Modulation
- Efficient Power Amplifier



### Applications

- Wireless Security Systems
- Car Alarms
- Remote Controls
- Remote Sensing
- Data Capture
- Automation systems

### Description

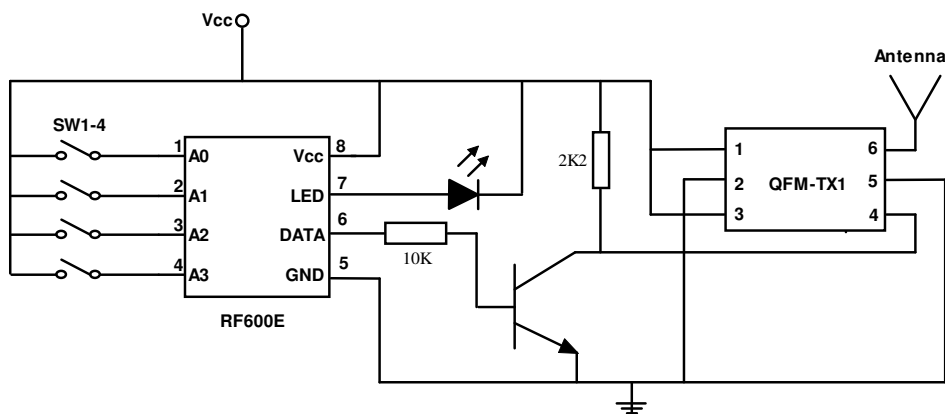
The Quasar UK FM hybrid transmitter module provides a complete RF transmitter which can be used to transmit data at up to 4.8Kbps from any standard CMOS/TTL source.

The module is very simple to operate and offers low current consumption (typ. 15mA). Data can be supplied directly from a microprocessor or encoding device, thus keeping the component count down and ensuring a low hardware cost.

The modules are compatible with the QuasarUK QFM-RX1-433 FM receiver operating at 434.2MHz (within the 433 band) to provide a complete wireless solution.

### Typical Application

For further information on this circuit please refer to the RF Solutions Ltd datasheet, DS600.

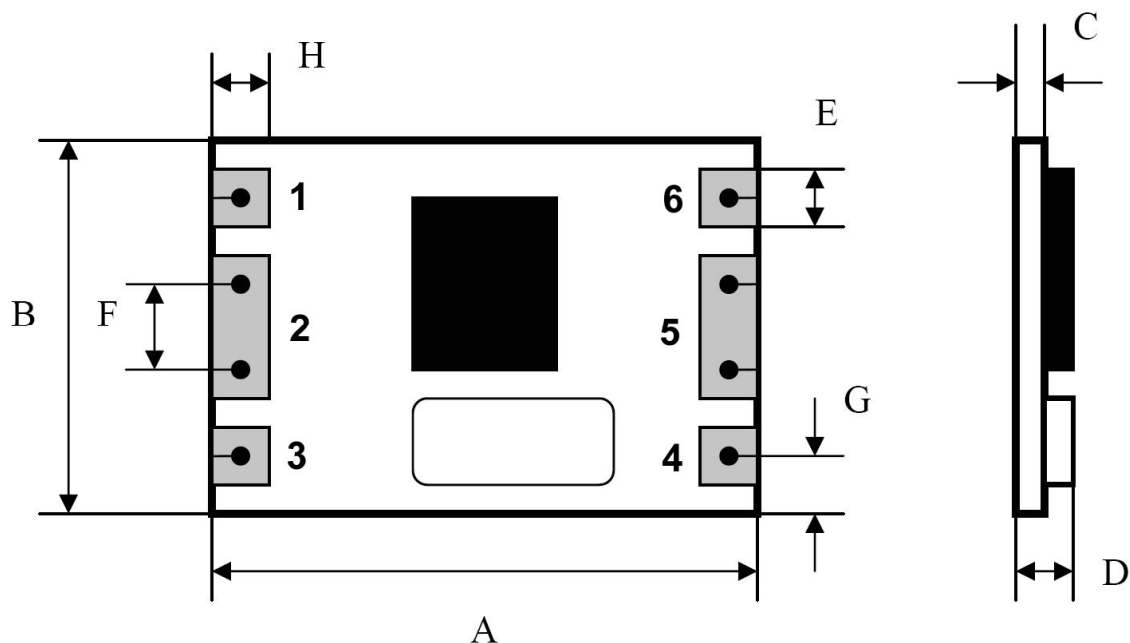


### Part Numbering

Part Number	Description
QFM-TX1-433	FM Transmitter Module, 434.2MHz

\*Range stated is for modules used in direct line of sight, adverse conditions may reduce the maximum range.

### Technical Specifications



### Dimensions

Pin	Measurements (mm)
A	16.802
B	12.501
C	2.0
D	2.5

Pin	Measurements (mm)
E	1.351
F	2.54
G	2.4
H	2.6

### Pin Descriptions

Pin	Name	Description
1	Vcc	Supply Voltage
2, 5	GND	Ground
3	Enable	Supply Voltage
4	Data	Data Input
6	ANT	External Antenna

### Electrical Characteristics

Ambient temp = 25°C unless otherwise stated.

Characteristic	Min.	Typ.	Max.	Dimensions
Supply Voltage	2.2	3	3.5	Vdc
Supply Current (Vcc=3V IN=1kHz)		15		mA
Standby Current		0.5		uA
Working Frequency		434.2		MHz
Output Power		10		dBm
Turn on Time (from Standby)		1		ms
Data Rate	200		4,800	Hz
Operating Temperature	-20		+85	°C

Information contained in this document is believed to be accurate, however no representation or warranty is given and no liability is assumed by Quasar (UK) Ltd. with respect to the accuracy of such information. Use of products as critical components in life support systems is not authorised except with express written approval from Quasar (UK) Ltd.





*QuasarUK is an internet based company. All Sales / support and interface is via our website at*

**[www.quasaruk.co.uk](http://www.quasaruk.co.uk)**

***for Sales:***

**Sales : [sales@quasaruk.co.uk](mailto:sales@quasaruk.co.uk)**

***for Support:***

**Support : [sales@quasaruk.co.uk](mailto:sales@quasaruk.co.uk)**

**Support Tel: 0907 639 0000**

Calls charged at £0.60 per minute from a BT landline other networks may vary. Callers must be 18 or over and have the bill payers permission. Service provided by StealthNET Ltd :08444150774