



Chipsmall Limited consists of a professional team with an average of over 10 year of expertise in the distribution of electronic components. Based in Hongkong, we have already established firm and mutual-benefit business relationships with customers from,Europe,America and south Asia,supplying obsolete and hard-to-find components to meet their specific needs.

With the principle of “Quality Parts,Customers Priority,Honest Operation,and Considerate Service”,our business mainly focus on the distribution of electronic components. Line cards we deal with include Microchip,ALPS,ROHM,Xilinx,Pulse,ON,Everlight and Freescale. Main products comprise IC,Modules,Potentiometer,IC Socket,Relay,Connector.Our parts cover such applications as commercial,industrial, and automotives areas.

We are looking forward to setting up business relationship with you and hope to provide you with the best service and solution. Let us make a better world for our industry!



## Contact us

Tel: +86-755-8981 8866 Fax: +86-755-8427 6832

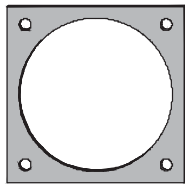
Email & Skype: info@chipsmall.com Web: www.chipsmall.com

Address: A1208, Overseas Decoration Building, #122 Zhenhua RD., Futian, Shenzhen, China



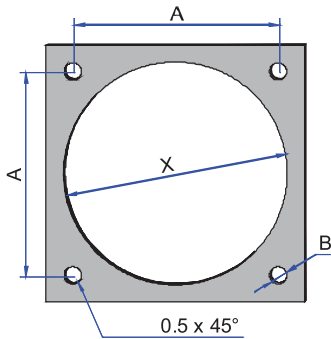






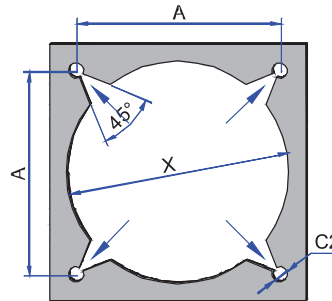
**Recommended mounting styles / hole cut-outs and measure for mounting plates and housing walls.**

Dependant on given space circumstances there are four possible ways to mount the elastic sleeves  
 Only one hole cut-out has to be used to install the sleeve on a mounting plate or housing wall.



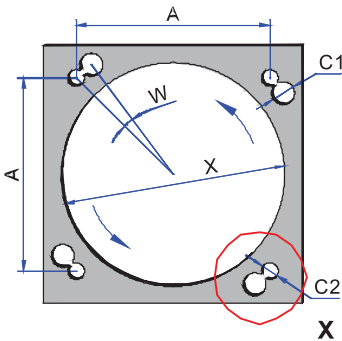
**Mounting style/  
Hole cut-out 1  
Plug-in mounting**

First pull the sleeve over the flange of the fan, then place the four pegs on the holes **B** of the mounting plate and pull them through from the back side.



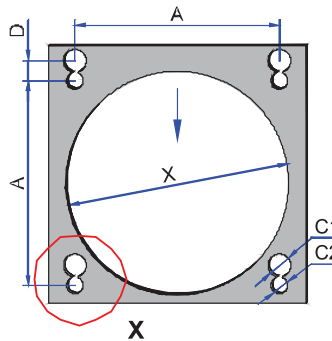
**Mounting style/  
Hole cut-out 2  
Plug-and-pull mounting**

First place the four pegs through the 45° outbreak in the mounting plate and pull them out into the holes **C2**. Now put the fan into the sleeve and pull the corners over the flanges of the fan.



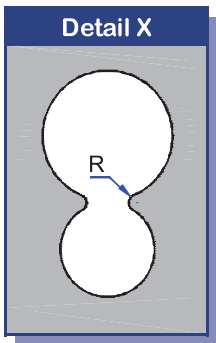
**Mounting style/  
Hole cut-out 3  
plug-and turn mounting**

First pull the sleeve over the flange of the fan, then place the four pegs in the larger holes **C1** of the mounting plate and pull the pegs with a turn into the holes **C2**.



**Mounting style/  
Hole cut-out 4  
Plug-and-push mounting**

First pull the sleeve over the flange of the fan, then place the four pegs in the larger holes **C1** of the mounting plate and push the pegs down into the holes **C2**.



**Mounting style / Hole cut-out 1**

is preferable when there is limited space around the fan. Please note! You need space at the back side to pull out the pegs.

**Mounting style / Hole cut-out 2**

is recommend, when the space around the fan allows to pull the sleeve over the fan flanges. You don't need access to the back side.

**Mounting style / Hole cut-out 3/4**

are the quickest ways to attach the fans provided sufficient space is available to pull or turn the sleeve and fan. Access to the back side is not necessary.

**!! Please Note !!**

By adjusting the size D/W and the size of radius R the resistance to mount and remount the fan with sleeve can be altered.

**We are always available for consultation should you have any question regarding the appropriate mounting style / hole cut-out and mounting procedure.**

Hole cut-out dimensions	A	B	C1	C2	D	R	W	X
For QLM-30...	24.0	4.5	5.5	4.0	5.0	0.5-1.0	16.5°	Form / dimensions dependent on fan manufacturer
For QLM-40...	32.0	5.0	6.5	4.5	5.75	0.5-1.0	14.5°	Form / dimensions dependent on fan manufacturer
For QLM-50...	42.0	5.0	6.5	4.5	5.75	0.5-1.0	11.0°	Form / dimensions dependent on fan manufacturer
For QLM-60...	50.0	5.5	7.5	5.0	6.5	0.5-1.0	10.5°	Form / dimensions dependent on fan manufacturer
For QLM-80...	71.5	6.5	8.0	6.0	7.0	0.5-1.0	8°	Form / dimensions dependent on fan manufacturer
For QLM-92...	82.5	6.5	8.5	6.0	7.25	0.5-1.0	7°	Form / dimensions dependent on fan manufacturer
For QLM-119...	105.0	8.5	11.0	8.0	9.5	1.0-2.0	7°	Form / dimensions dependent on fan manufacturer

All dimensions in mm!