



Chipsmall Limited consists of a professional team with an average of over 10 year of expertise in the distribution of electronic components. Based in Hongkong, we have already established firm and mutual-benefit business relationships with customers from,Europe,America and south Asia,supplying obsolete and hard-to-find components to meet their specific needs.

With the principle of “Quality Parts,Customers Priority,Honest Operation,and Considerate Service”,our business mainly focus on the distribution of electronic components. Line cards we deal with include Microchip,ALPS,ROHM,Xilinx,Pulse,ON,Everlight and Freescale. Main products comprise IC,Modules,Potentiometer,IC Socket,Relay,Connector.Our parts cover such applications as commercial,industrial, and automotives areas.

We are looking forward to setting up business relationship with you and hope to provide you with the best service and solution. Let us make a better world for our industry!



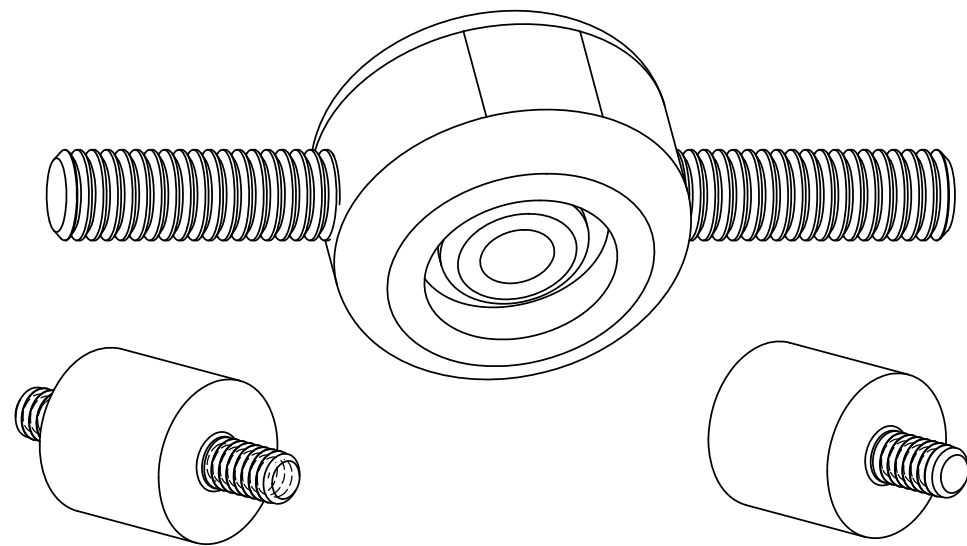
Contact us

Tel: +86-755-8981 8866 Fax: +86-755-8427 6832

Email & Skype: info@chipsmall.com Web: www.chipsmall.com

Address: A1208, Overseas Decoration Building, #122 Zhenhua RD., Futian, Shenzhen, China





PART NO.	"A"±.020	"B"±.020	STUD THREAD "S"	INSERT THREAD "I"	FIG. NO.	REF. LOAD AT 15% DEFLECTION LBS (KG)
QM1	7/16 [11.1]	7/16 [11.1]	#6-32 X 1/4	----	1	8 [4]
QM1T				#6-32 X 3/16	2	5 [2]
QM2T			#6-32 X 1/2	#6-32 X 3/16	2	7 [3]
QM3	1/2 [12.7]	9/16 [14.3]	#8-32 X 3/8	---	1	9 [4]
QM3T				#8-32 X 3/16	2	8 [4]
QM4				----	1	15 [7]
QM4T				#8-32 X 3/16	2	28 [13]
QM5	3/4 [19.1]	1.0 [25.4]	#1/4-20 X 1/2	----	1	43 [20]
QM7	9/16 [14.3]	1/2 [12.7]	#10-32 X 3/8	----	1	3 [1]
QM7T				#10-32 X 3/16	2	10 [5]
*QM8	SEE DRAWING FOR DIMENSIONS				3	12 [5]

FIG 1.

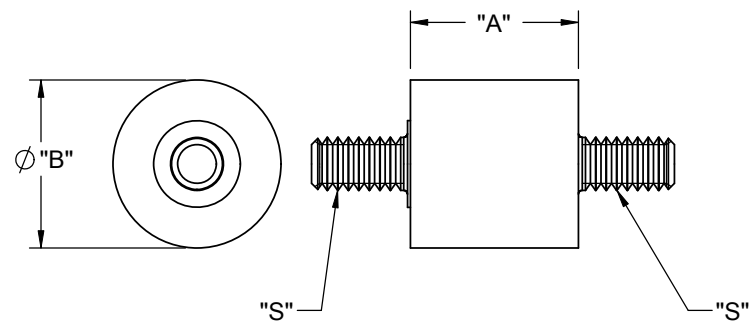
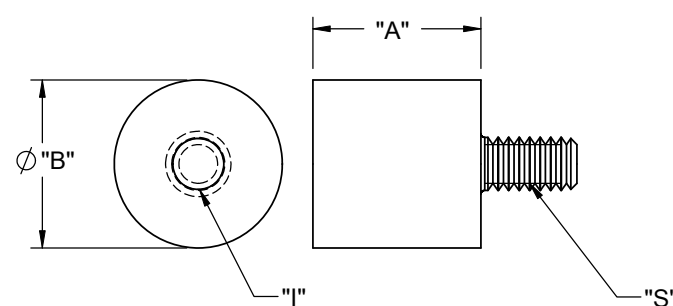
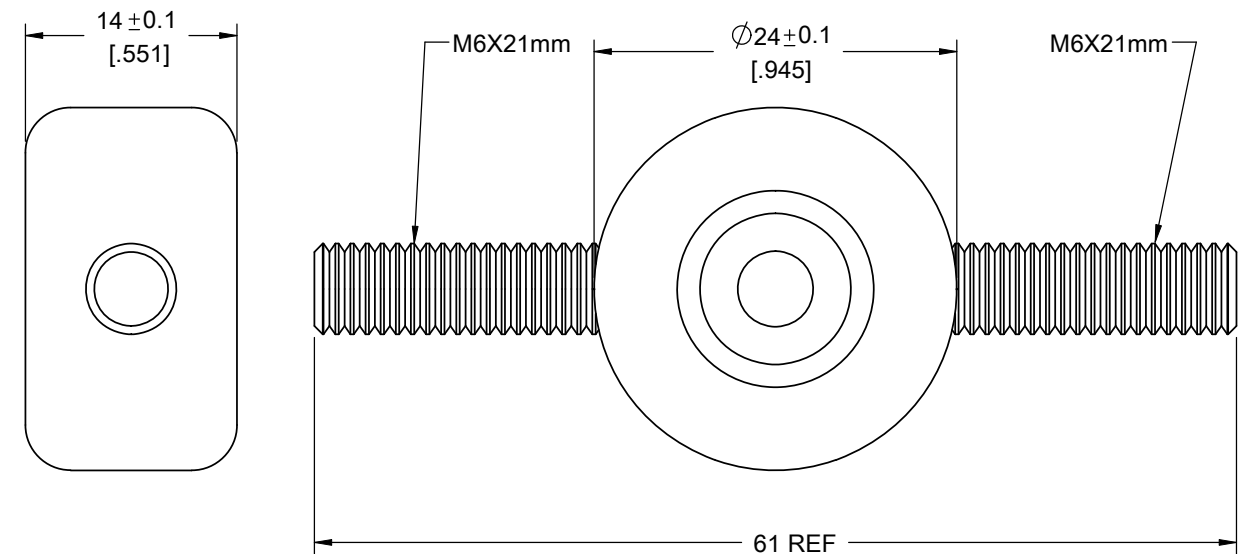


FIG 2.



*FIG 3.



NOTES:

1. MATERIAL: NEOPRENE RUBBER, 40 DUROMETER (RMS-241)
2. COLOR: BLACK
3. THREADED METAL INSERT AND STUD: 1010-1020 STEEL (RMS-242)
PLATING: YELLOW CHROMATE OVER ZINC PLATE (RMS-274)
4. THREADED METAL INSERT MAY BE BLIND CUP, OR THROUGH-NUT
- *5. MATERIAL: IIR, SHORE 55A DUROMETER (RMS-360). COLOR: BLACK.
METAL STUD: BRASS (RMS-349).
PART DESIGNED IN METRIC.
6. ALTERNATE UNITS FOR REFERENCE ONLY.

REV.	DESCRIPTION	ENGR.	DATE
I	SEE CO 200045 FOR CHANGES	SK	10/02/07
H	SEE CO 200041 FOR CHANGES	SK	09/28/07
G	SEE ECN #1326 FOR CHANGES	SK	05/16/07
-	SEE ENGINEERING FOR REVISIONS A-F	---	-----

TITLE: QUIET MOUNT SPACERS				DWG IN IN [MM]		FINAL	
CREATED USING SOLIDWORKS	FILE #: QM	DWN: SK	APP: SK				
TOLERANCES UNLESS NOTED .XX=±.010 .XXX=±.005 FRAC.=±1/64 ANG.=±1°	SHEET: 1 OF 1	SHEET SIZE: B	DT: 05/16/07	CHKD: DZ	PART #		
RE: RICHCO, INC.		RICHCO, INC. ENG@RICHCO-INC.COM (773) 539-4060		SEE TABLE		PRINT TYPE CA	