



Chipsmall Limited consists of a professional team with an average of over 10 year of expertise in the distribution of electronic components. Based in Hongkong, we have already established firm and mutual-benefit business relationships with customers from,Europe,America and south Asia,supplying obsolete and hard-to-find components to meet their specific needs.

With the principle of “Quality Parts,Customers Priority,Honest Operation,and Considerate Service”,our business mainly focus on the distribution of electronic components. Line cards we deal with include Microchip,ALPS,ROHM,Xilinx,Pulse,ON,Everlight and Freescale. Main products comprise IC,Modules,Potentiometer,IC Socket,Relay,Connector.Our parts cover such applications as commercial,industrial, and automotives areas.

We are looking forward to setting up business relationship with you and hope to provide you with the best service and solution. Let us make a better world for our industry!



Contact us

Tel: +86-755-8981 8866 Fax: +86-755-8427 6832

Email & Skype: info@chipsmall.com Web: www.chipsmall.com

Address: A1208, Overseas Decoration Building, #122 Zhenhua RD., Futian, Shenzhen, China



QT-Brightek LED Spot Light Series

5W MR16 Spot Light

Part No.: QMR16-05-XX-Z

XX (Color Code) = WW/CW/IB/IG
Z (Beam Angle) = A/B/C/D

Table of Contents:

Introduction	3
Specification.....	4
Revision History	6
Disclaimer	6

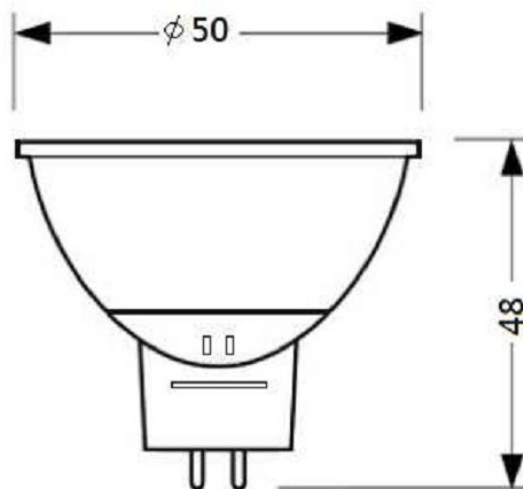
Introduction

Features:

- Input Voltage: AC/DC 12V
- GU 5.3 Holder
- Warm White, Cool White, Green, and Blue Available
- Multiple Beam Angle Options

Application:

- Household lighting
- Restaurant lighting
- General lighting

**Outline Dimensions:**

Units: mm

Specification

Type A (Beam Angle: 15°)

Part Number	QMR16-05-WW-A	QMR16-05-CW-A
Input Voltage	AC/DC 12V	
Power Dissipation	5W	
Light Color	Warm White (3000K typ.)	Cool White (6500K typ.)
Luminous Flux	280lm typ.	340lm typ.
CRI	70	
Beam Angle	15°	
Operating Temperature Range	-25°~ +50°	
Storage Temperature Range	-25°~ +60°	
Operating Humidity Range	5% ~ 95%	
Lifetime	20,000 ~ 30,000 hours	

Type B (Beam Angle: 25°)

Part Number	QMR16-05-WW-B	QMR16-05-CW-B
Input Voltage	AC/DC 12V	
Power Dissipation	5W	
Light Color	Warm White (3000K typ.)	Cool White (6500K typ.)
Luminous Flux	280lm typ.	340lm typ.
CRI	70	
Beam Angle	25°	
Operating Temperature Range	-25°~ +50°	
Storage Temperature Range	-25°~ +60°	
Operating Humidity Range	5% ~ 95%	
Lifetime	20,000 ~ 30,000 hours	

Part Number	QMR16-05-IG-B	QMR16-05-IB-B
Input Voltage	AC/DC 12V	
Power Dissipation	5W	
Light Color	Green	Blue
Luminous Flux	120lm typ.	90lm typ.
Beam Angle	25°	
Operating Temperature Range	-25°~ +50°	
Storage Temperature Range	-25°~ +60°	
Operating Humidity Range	5% ~ 95%	
Lifetime	20,000 ~ 30,000 hours	

Type C (Beam Angle: 40°)

Part Number	QMR16-05-WW-C	QMR16-05-CW-C
Input Voltage	AC/DC 12V	
Power Dissipation	5W	
Light Color	Warm White (3000K typ.)	Cool White (6500K typ.)
Luminous Flux	280lm typ.	340lm typ.
CRI	70	
Beam Angle	40°	
Operating Temperature Range	-25°~ +50°	
Storage Temperature Range	-25°~ +60°	
Operating Humidity Range	5% ~ 95%	
Lifetime	20,000 ~ 30,000 hours	

Type D (Beam Angle: 60°)

Part Number	QMR16-05-WW-D	QMR16-05-CW-D
Input Voltage	AC/DC 12V	
Power Dissipation	5W	
Light Color	Warm White (3000K typ.)	Cool White (6500K typ.)
Luminous Flux	280lm typ.	340lm typ.
CRI	70	
Beam Angle	60°	
Operating Temperature Range	-25°~ +50°	
Storage Temperature Range	-25°~ +60°	
Operating Humidity Range	5% ~ 95%	
Lifetime	20,000 ~ 30,000 hours	

Revision History

Description:	Revision #	Revision Date
New Release of QMR16-05-XX-Z	V1.0	12/11/2013
Add green and blue (25 Deg)	V1.1	03/27/2014

Disclaimer

QT-BRIGHTEK reserves the right to make changes without further notice to any products herein to improve reliability, function or design. QT-BRIGHTEK does not assume any liability arising out of the application or use of any product or circuit described herein; neither does it convey any license under its patent rights, nor the rights of others.

Life Support Policy

QT-BRIGHTEK's products are not authorized for use as critical components in life support devices or systems without the express written approval of QT-BRIGHTEK. As used herein:

1. Life support devices or systems are devices or systems which, (a) are intended for surgical implant into the body, or (b) support or sustain life, and (c) whose failure to perform when properly used in accordance with instructions for use provided in the labeling, can be reasonably expected to result in a significant injury of the user.
2. A critical component in any component of a life support device or system whose failure to perform can be reasonably expected to cause the failure of the life support device or system, or to affect its safety or effectiveness.

Product: QMR16-05-XX-Z	Date: March 27, 2014	Page 6 of 6
	Version# 1.1	