



Chipsmall Limited consists of a professional team with an average of over 10 year of expertise in the distribution of electronic components. Based in Hongkong, we have already established firm and mutual-benefit business relationships with customers from,Europe,America and south Asia,supplying obsolete and hard-to-find components to meet their specific needs.

With the principle of “Quality Parts,Customers Priority,Honest Operation,and Considerate Service”,our business mainly focus on the distribution of electronic components. Line cards we deal with include Microchip,ALPS,ROHM,Xilinx,Pulse,ON,Everlight and Freescale. Main products comprise IC,Modules,Potentiometer,IC Socket,Relay,Connector.Our parts cover such applications as commercial,industrial, and automotives areas.

We are looking forward to setting up business relationship with you and hope to provide you with the best service and solution. Let us make a better world for our industry!



Contact us

Tel: +86-755-8981 8866 Fax: +86-755-8427 6832

Email & Skype: info@chipsmall.com Web: www.chipsmall.com

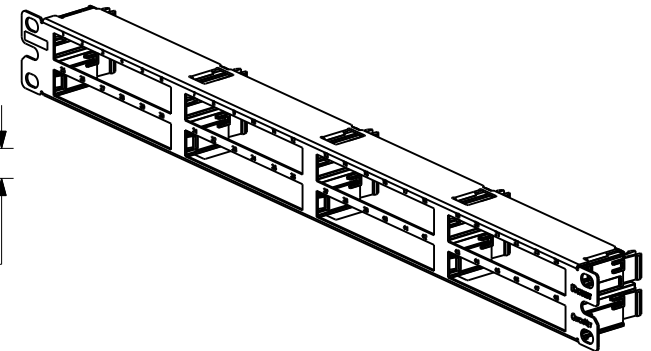
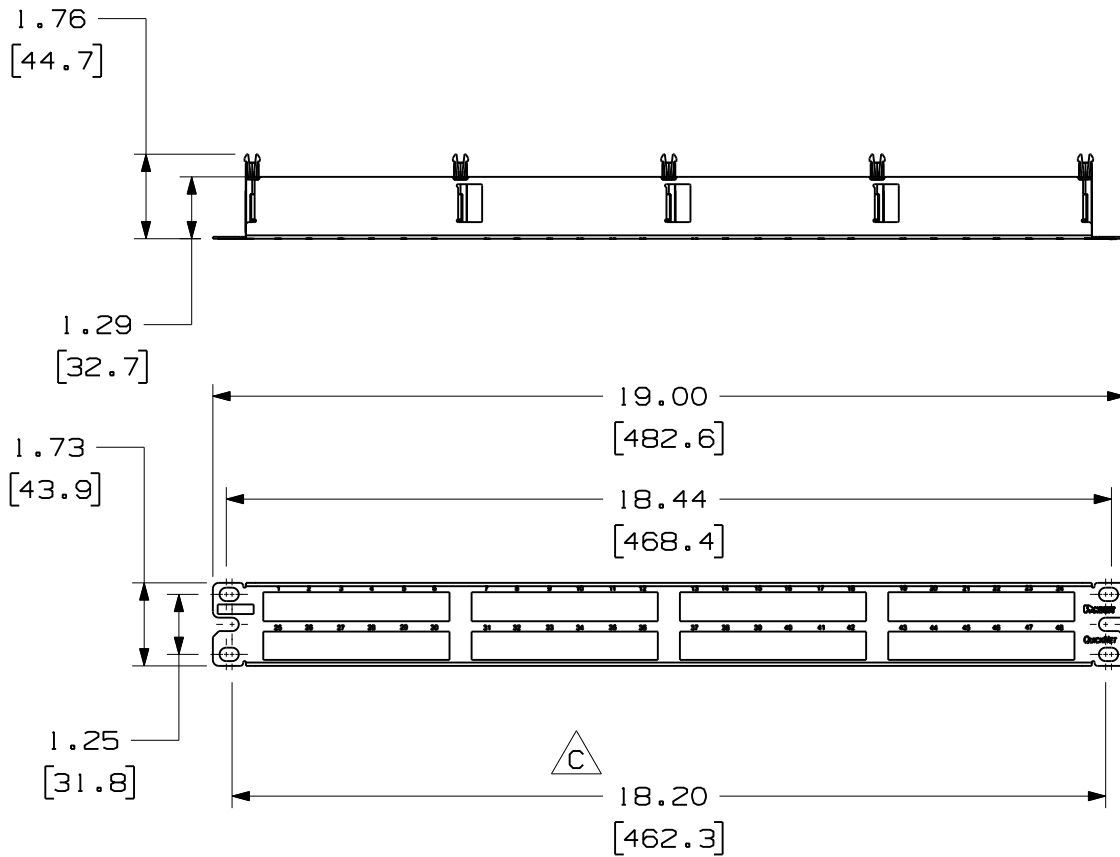
Address: A1208, Overseas Decoration Building, #122 Zhenhua RD., Futian, Shenzhen, China



THIS COPY IS PROVIDED ON A RESTRICTED BASIS AND IS NOT TO BE USED IN ANY WAY DETRIMENTAL TO THE INTERESTS OF PANDUIT CORP.

PANDUIT PART NO.	WEIGHT (APPOX.)
QPP48HDBL	0.65 lb (294.8 g)

- NOTES:
- SEE CURRENT CATALOG FOR VARIOUS APPLICATIONS.
 - THE PATCH PANEL IS DESIGNED FOR MOUNTING TO 19" UNIVERSAL RACKS.
 - DIMENSIONS IN BRACKETS ARE IN METRIC.
 - PART INCLUDES:
 - 1- METAL STAMPING WITH SLIDE GUIDES
 - 1- SCREW KIT (INCLUDES FOUR #12-24 SCREWS)
 - 1- SCREW KIT (INCLUDES FOUR M6 SCREWS)



MODEL FILENAME M02582BP_48_PORT_1RU_ST_PANEL_ASSY_06	SIZE A
DRAWING FILENAME M02582BP_DC18_06A.PRT	
TITLE QUICKNET 48 PORT PATCH PANEL CUSTOMER DRAWING	

REV	DATE	BY	CHK	DESCRIPTION	ECN	R	CUST	SUP	OTH
1	6-15-07	BJN	EJH	C. ADDED 18.20 [462.3] DIMENSION B. ADDED .62 [15.9] DIMENSION A. UPDATED MODEL TO REV 06	02582-18		TRW		
R	11-10-06	MDJr	WFM	RELEASED TO PRODUCTION	02582-18	TRW	TRW		

<p>PANDUITTM CORP. TINLEY PARK, ILL 60477</p>	I.I. NUMBER
	PRODUCT SPEC
<p>THIRD ANGLE PROJECTION</p>	WORK INSTRUCTION
	SCALE .25 TO 1
DRAWN BY MDJr	MATERIAL:
DATE 9-01-06	PANEL: CRS GUIDES: ABS
CHK'D WFM	PART NO. QPP48HDBL
	DRAWING NO. 02582-18