



Chipsmall Limited consists of a professional team with an average of over 10 year of expertise in the distribution of electronic components. Based in Hongkong, we have already established firm and mutual-benefit business relationships with customers from,Europe,America and south Asia,supplying obsolete and hard-to-find components to meet their specific needs.

With the principle of “Quality Parts,Customers Priority,Honest Operation,and Considerate Service”,our business mainly focus on the distribution of electronic components. Line cards we deal with include Microchip,ALPS,ROHM,Xilinx,Pulse,ON,Everlight and Freescale. Main products comprise IC,Modules,Potentiometer,IC Socket,Relay,Connector.Our parts cover such applications as commercial,industrial, and automotives areas.

We are looking forward to setting up business relationship with you and hope to provide you with the best service and solution. Let us make a better world for our industry!



## Contact us

Tel: +86-755-8981 8866 Fax: +86-755-8427 6832

Email & Skype: info@chipsmall.com Web: www.chipsmall.com

Address: A1208, Overseas Decoration Building, #122 Zhenhua RD., Futian, Shenzhen, China



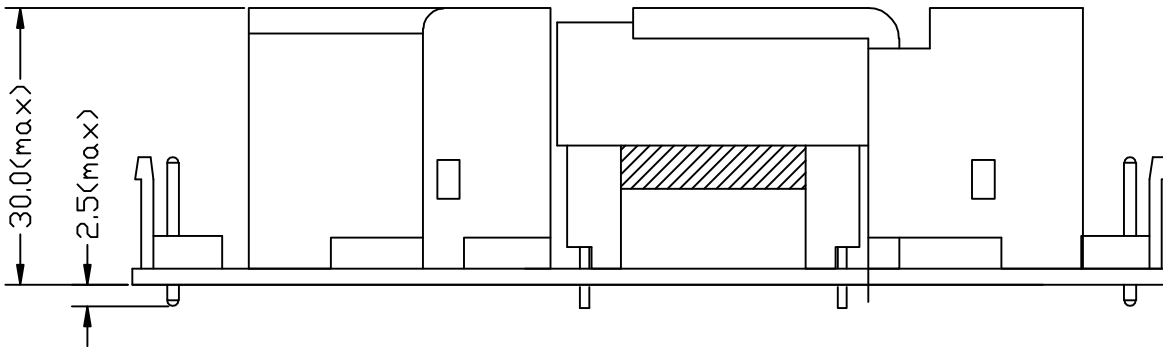
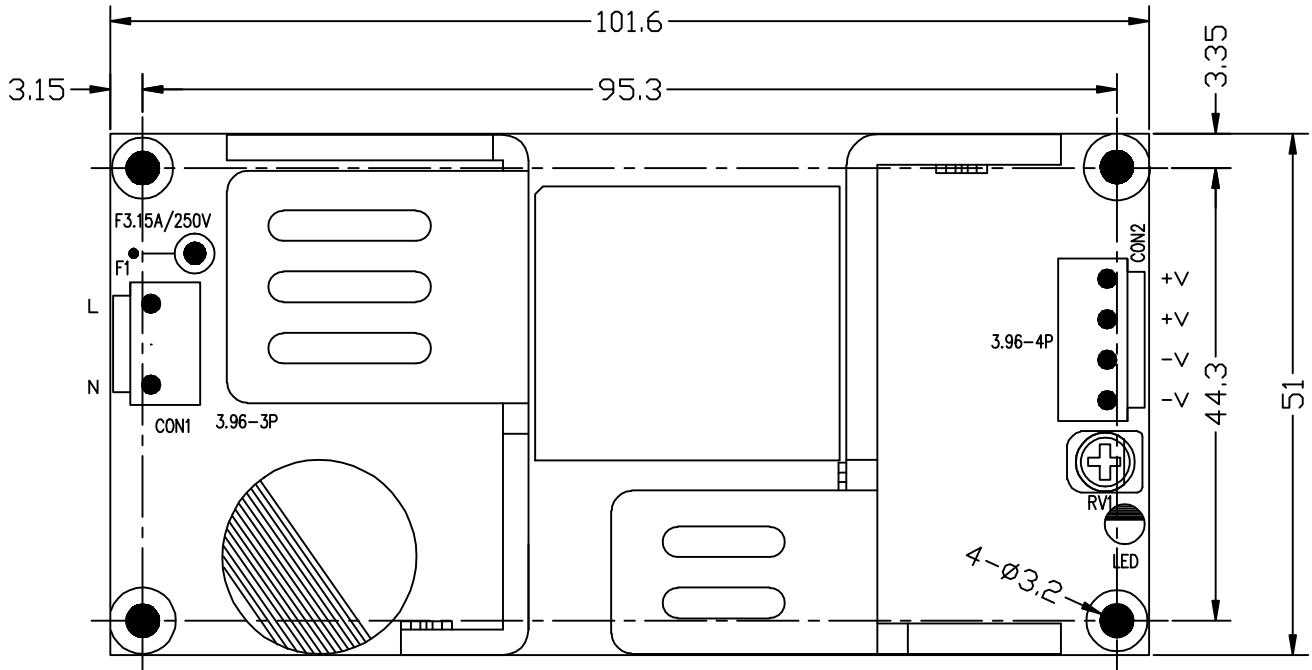
**Features:**

- Universal AC input/ Full range
- Wide Operating Ambient Temperature (-25°C~70°C)
- High Efficiency, low power consumption
- Output Protections: OLP/OVP/SCP
- All using 105°C long life electrolytic capacitors.
- 100% full load burn-in test



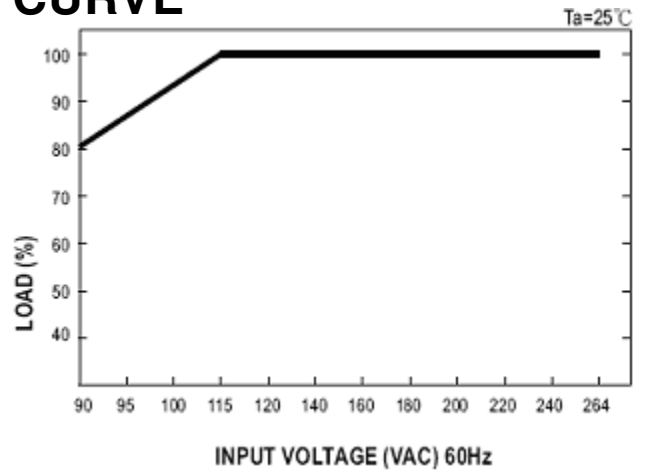
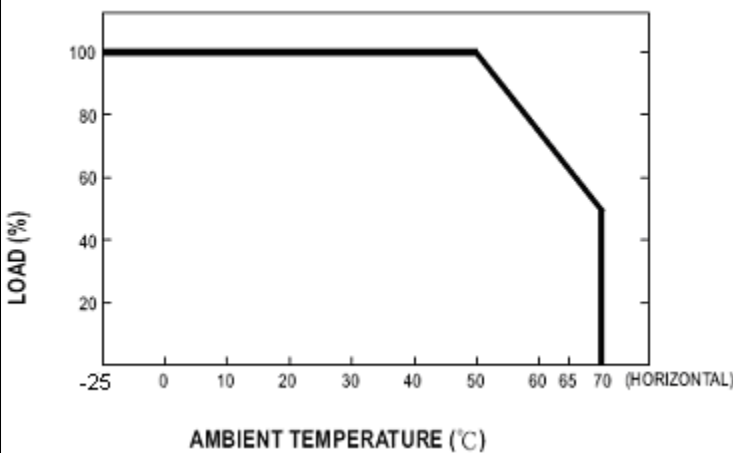
Model	QPS-60-5	QPS-60-12	QPS-60-15	QPS-60-24	QPS-60-48	
<b>Output Characteristics</b>						
DC Output	5V	12V	15V	24V	48V	
Rated Current	8A	4.5A	3.6A	2.5A	1.25A	
Current Range	0~8A	0~4.5A	0~3.6A	0~2.5A	0~1.25A	
Ripple and Noise	0~70°C -25~0°C	<50mV <200mV	<120mV <300mV	<120mV <300mV	<240mV <360mV	
Voltage ADJ. Range	4.5~5.5V	11.2~13.4V	13.8~16.5V	22.2~27.9V	45.0~53.2V	
Voltage Accuracy	±3.0%					
Line Regulation	±0.5%					
Load Regulation	±2.0%					
Set-up Time	≤1.0s (230VAC input, full load)					
Hold-up Time	≥20ms (230VAC input, full load)					
Temperature Coefficient	±0.03%/°C					
Overshoot and Undershoot	<5.0%					
<b>Input Characteristics</b>						
Voltage Range	90VAC~264VAC, 127VDC~370VDC					
Frequency Range	47Hz-63Hz					
Efficiency (Typical)	115VAC Input 230VAC Input	79% 82%	83% 85%	84% 85%	87% 87%	85% 88%
AC Current (max)	<1.5A					
Inrush Current (Typical)	30A@115VAC Cold start 60A@230VAC Cold start					
Leakage Current	<0.25mA					
<b>Protection</b>						
Over Load (OLP)	105%~180% of rated output current, hiccup mode, auto recover					
Over Voltage (OVP)	110%~150% of rated output voltage, constant voltage					
Short Circuit (SCP)	Long-term mode, auto recovery					
<b>Environmental Characteristics</b>						
Operating Amb. Temp. & Hum	-25°C~70°C; 20%~90% RH Non-Condensing					
Storage Temp. & Hum	-40°C~85°C; 10%~95% RH Non-Condensing					
Safety Standards	UL60950-1; EN60950-1: 2006					
Withstand Voltage	Primary-Secondary: 3.0KVAC;≤10mA.					
Isolation Resistance	≥100M ohms					
EMI Conduction & Radiation	Compliance to EN55022(CISPR22) Class B					
Harmonic Current	Compliance to EN61000-3-2, -3					
EMS Immunity	Compliance to EN61000-4-2, 3, 4, 5, 6, 8, 11; ENV50204, light industry level, criteria A					
<b>General Characteristics</b>						
MTBF (MIL-HDBK-217F)	More than 200,000Hrs (25°C, Full load)					
Dimension (LxWxH)	101.6x50.8x30mm					
Packing	60PCS/CTN. G.W: 12kgs					
Cooling Method	Cooling by free air convection					

## MECHANICAL SPECIFICATIONS



ITEM	CONNECTOR	MATING HOUSING	TERMINAL
AC IN (CON1)	LANDWIN 3961P0300T (CENTER PIN REMOVED)	LANDWIN 3960S OR JST VHR	LANDWIN 3963T011R OR JST SVH-21T-P1.1
DC OUT (CON2)	LANDWIN 3961P0400T	OR MOLEX 51144	OR MOLEX 50539

## DERATING CURVE



UNIT: mm