



Chipsmall Limited consists of a professional team with an average of over 10 year of expertise in the distribution of electronic components. Based in Hongkong, we have already established firm and mutual-benefit business relationships with customers from,Europe,America and south Asia,supplying obsolete and hard-to-find components to meet their specific needs.

With the principle of “Quality Parts,Customers Priority,Honest Operation,and Considerate Service”,our business mainly focus on the distribution of electronic components. Line cards we deal with include Microchip,ALPS,ROHM,Xilinx,Pulse,ON,Everlight and Freescale. Main products comprise IC,Modules,Potentiometer,IC Socket,Relay,Connector.Our parts cover such applications as commercial,industrial, and automotives areas.

We are looking forward to setting up business relationship with you and hope to provide you with the best service and solution. Let us make a better world for our industry!



Contact us

Tel: +86-755-8981 8866 Fax: +86-755-8427 6832

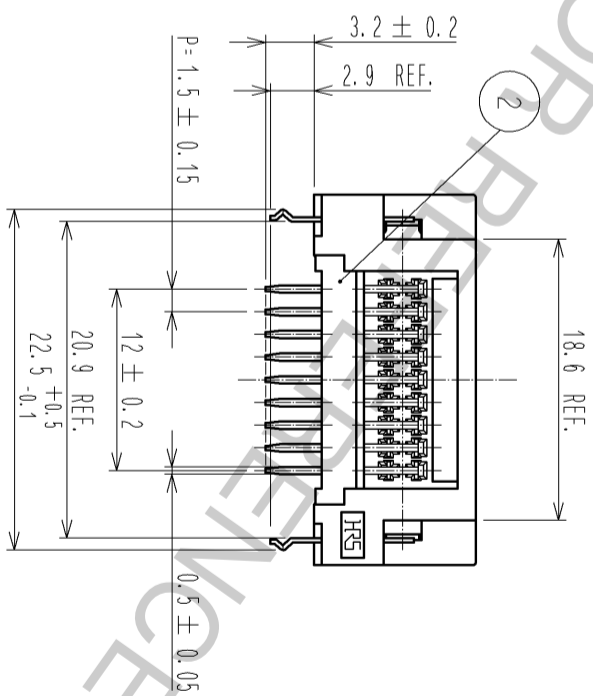
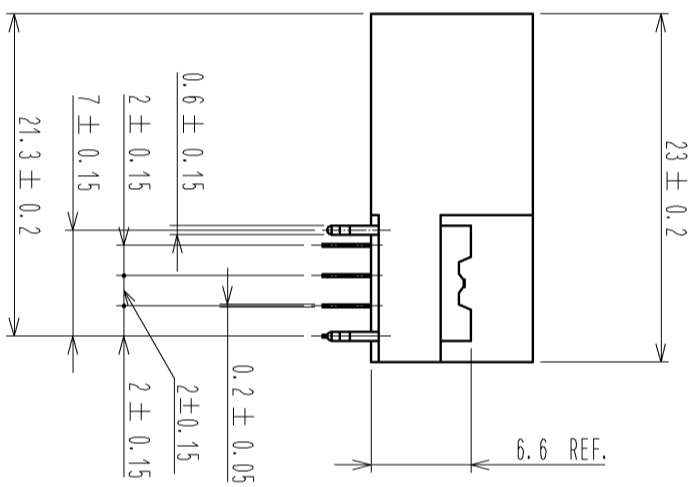
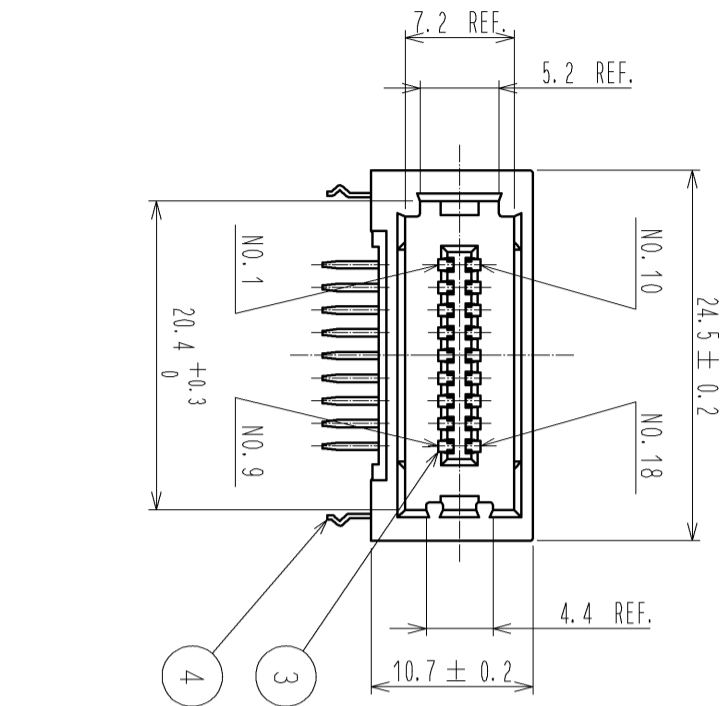
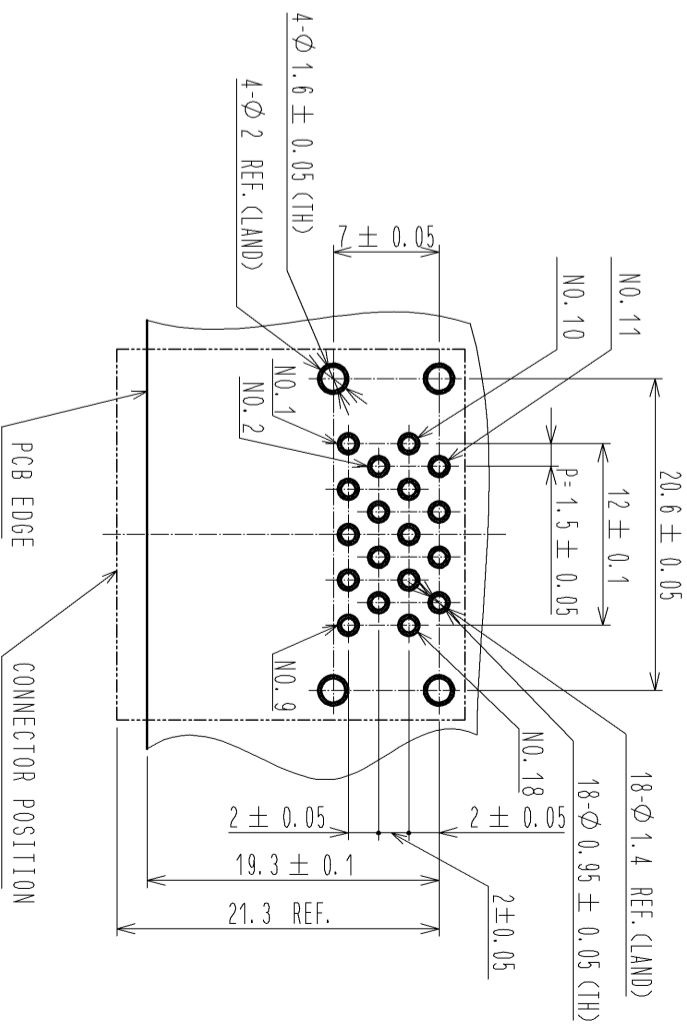
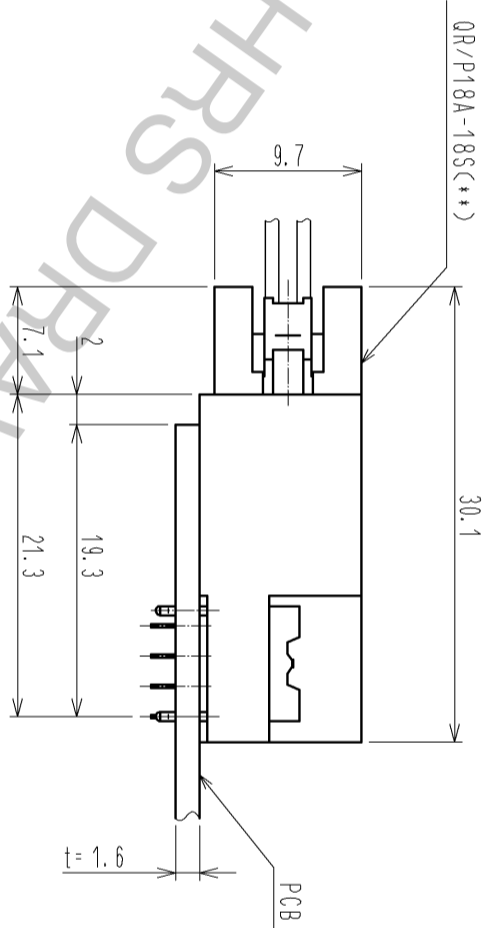
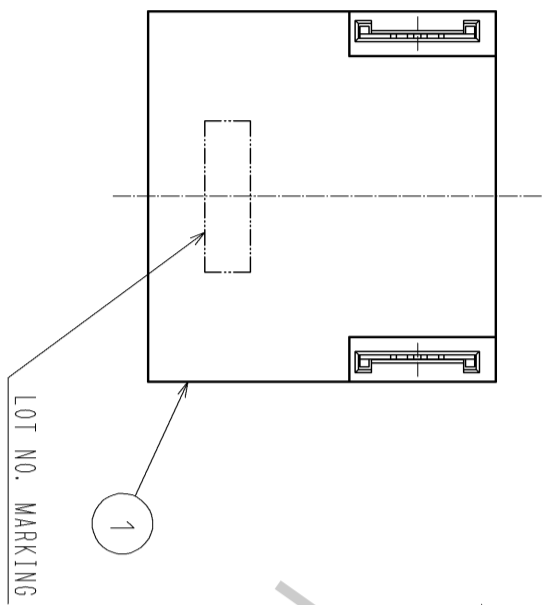
Email & Skype: info@chipsmall.com Web: www.chipsmall.com

Address: A1208, Overseas Decoration Building, #122 Zhenhua RD., Futian, Shenzhen, China



MATED PLUG (REFERENCE)

PCB PATTERN (REFERENCE)
MOUNTING SIDE (t=1.6)



NO.	UNITS	MATERIAL	FINISH	REMARKS	NO.	MATERIAL	FINISH	REMARKS
2	PBT	UL94V-0(BLACK)			4	COPPER ALLOY	OVER : TIN PLATED UNDER : NICKEL PLATED	2μm min 1μm min
1	PBT	UL94V-0(BLACK)			3	COPPER ALLOY	CONTACT : GOLD PLATED LEAD : GOLD PLATED UNDER : NICKEL PLATED	0.2μm min 0.03μm min 1μm min

UNITS	SCALE	COUNT	DESCRIPTION OF REVISIONS	DESIGNED	CHECKED	DATE
mm	2 : 1					

FORM HCO011-5-7



HIROSE ELECTRIC CO., LTD.
 Approved : YH. ENAMI
 Checked : HO. MIWA
 Designed : KI. NAGANUMA
 Drawn : KI. NAGANUMA
 Drawing No. : EDC3-125533-01
 Part No. : QR/P18A-18P-DSA1
 Code No. : CL221-0308-3-00