



Chipsmall Limited consists of a professional team with an average of over 10 year of expertise in the distribution of electronic components. Based in Hongkong, we have already established firm and mutual-benefit business relationships with customers from,Europe,America and south Asia,supplying obsolete and hard-to-find components to meet their specific needs.

With the principle of “Quality Parts,Customers Priority,Honest Operation,and Considerate Service”,our business mainly focus on the distribution of electronic components. Line cards we deal with include Microchip,ALPS,ROHM,Xilinx,Pulse,ON,Everlight and Freescale. Main products comprise IC,Modules,Potentiometer,IC Socket,Relay,Connector.Our parts cover such applications as commercial,industrial, and automotives areas.

We are looking forward to setting up business relationship with you and hope to provide you with the best service and solution. Let us make a better world for our industry!



Contact us

Tel: +86-755-8981 8866 Fax: +86-755-8427 6832

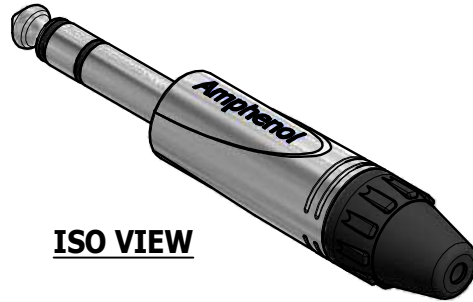
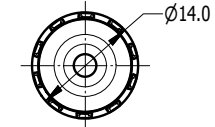
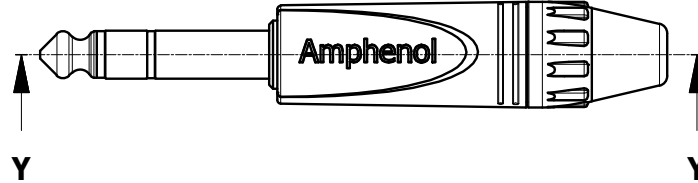
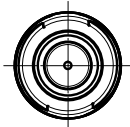
Email & Skype: info@chipsmall.com Web: www.chipsmall.com

Address: A1208, Overseas Decoration Building, #122 Zhenhua RD., Futian, Shenzhen, China

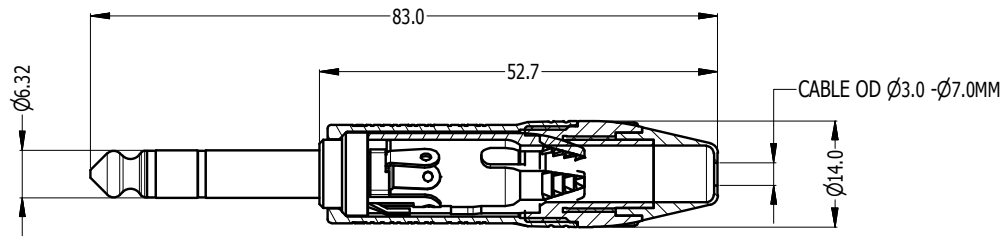




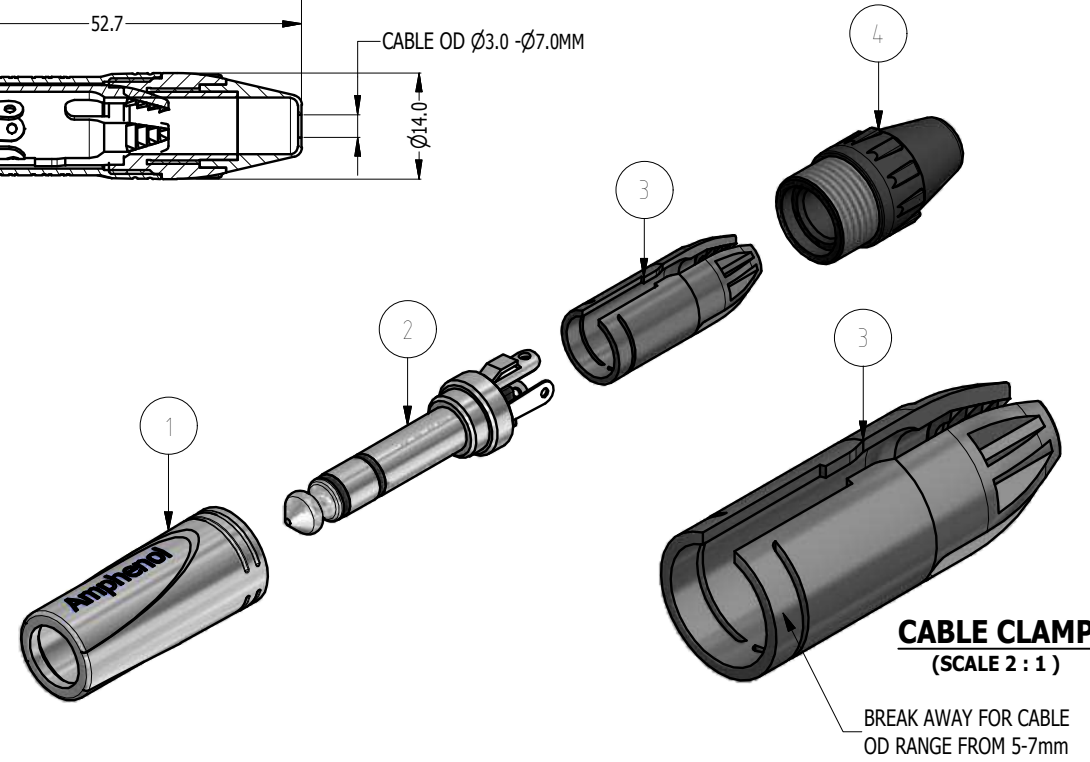
REVISION HISTORY			
REV	DESCRIPTION	DATE	CHG No
1	FIRST ISSUE	30-05-17	----
2	UPDATED CABLE CLAMP	14-03-18	9465



ISO VIEW



CATALOGUE PN	SHELL FINISH	CONTACT FINISH	BACKSHELL FINISH
QS3P	NICKEL	NICKEL SLEEVE AND TIP	MATT BLACK
QS3PB-AU	MATT BLACK	GOLD SLEEVE AND TIP	MATT BLACK



CABLE CLAMP
(SCALE 2 : 1)

BREAK AWAY FOR CABLE
OD RANGE FROM 5-7mm

4	50440055-000/*00	THERMOPLASTIC BACKSHELL - BLACK/COLOUR	1	UNLESS OTHERWISE SPECIFIED TOLERANCE TO BE	THIS DOCUMENT IS THE PROPERTY OF AMPHENOL AUSTRALIA PTY. LTD. NO PART THEREOF MAY BE REPRODUCED AND USED WITHOUT THE PRIOR WRITTEN CONSENT OF THE OWNER	Amphenol Amphenol Australia Pty.Ltd, 22 Industry Blvd, Carrum Downs, VIC 3201	TITLE: 1/4" PHONE STEREO PLUG CUSTOMER DRAWING	PART No: SEE TABLE	
3	50260024-500	THERMOPLASTIC CABLE CLAMP - BLACK	1						
2	50310064-100/300	MONO INSERT ASSEMBLY - GOLD/NICKEL	1	MATERIAL: REFER TO COMPONENT					DRN: MH DATE: 30-05-17
1	53480189-300/400	DIECAST SHELL - NICKEL/MATT BLACK	1	REFER TO COMPONENT					CKD: MH DATE: 14-03-18
ITEM	PART NUMBER	DESCRIPTION	QTY	DO NOT SCALE	FINISH: SEE TABLE	APP'D: PM DATE: 14-03-18	SCALE: 1:1	SIZE: A4	
Parts List				DIMENSIONS IN MILLIMETRES	THIRD ANGLE PROJECTION	CAD FILE 55011235000111	DRAWING NO. 55011235-000-1	SHEET 2/2	