



Chipsmall Limited consists of a professional team with an average of over 10 year of expertise in the distribution of electronic components. Based in Hongkong, we have already established firm and mutual-benefit business relationships with customers from,Europe,America and south Asia,supplying obsolete and hard-to-find components to meet their specific needs.

With the principle of “Quality Parts,Customers Priority,Honest Operation,and Considerate Service”,our business mainly focus on the distribution of electronic components. Line cards we deal with include Microchip,ALPS,ROHM,Xilinx,Pulse,ON,Everlight and Freescale. Main products comprise IC,Modules,Potentiometer,IC Socket,Relay,Connector.Our parts cover such applications as commercial,industrial, and automotives areas.

We are looking forward to setting up business relationship with you and hope to provide you with the best service and solution. Let us make a better world for our industry!



## Contact us

Tel: +86-755-8981 8866 Fax: +86-755-8427 6832

Email & Skype: info@chipsmall.com Web: www.chipsmall.com

Address: A1208, Overseas Decoration Building, #122 Zhenhua RD., Futian, Shenzhen, China





# QUICKSWITCH® PRODUCTS HIGH-PERFORMANCE CMOS TWO-BY-TWO ANALOG CROSS POINT SWITCH

IDTQS4A201

## FEATURES:

- Low ON resistance:  $r_{DS(ON)} = 5\Omega$
- Fast transition time:  $t_{TRAN} = 6ns$
- Wide bandwidth: 1.3GHz (-3dB point)
- Crosstalk: 90dB at 50KHz, -40dB at 5MHz, -30dB at 30MHz
- Off-isolation: -70dB at 50KHz, -40dB at 5MHz, -30dB at 30MHz
- Single 5V supply
- Can be used as multiplexer or demultiplexer
- TTL-compatible control inputs
- Ultra-low quiescent current:  $3\mu A$
- Switch turn on time of 6.5ns
- Available in QSOP package

## APPLICATIONS:

- High-speed video signal switching/routing
- HDTV-quality video signal routing
- Phase reversal
- Data acquisition
- ATE systems
- Telecomm routing
- Token Ring transceivers
- High-speed networking

## DESCRIPTION:

The QS4A201 is a high-performance CMOS two-by-two analog cross point switch. This device provides two sets of five high-speed CMOS switches providing "cross point" connection between inputs and outputs. The low ON resistance of the QS4A201 allows inputs to be connected to outputs with low insertion loss and high bandwidth. TTL-compatible control circuitry with "Break-Before-Make" feature prevents contention.

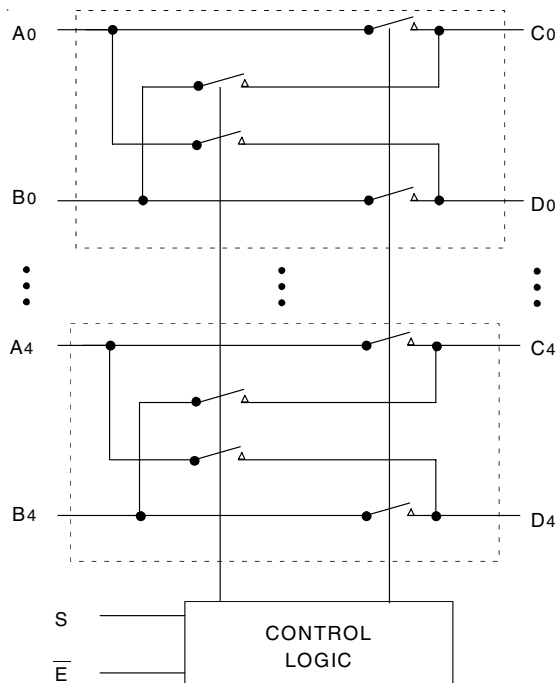
The QS4A201 with 1.3GHz bandwidth makes it ideal for high-performance video signal switching, audio signal switching, and telecomm routing applications. High performance and low power dissipation makes this device ideal for battery operated and remote instrumentation applications.

The QS4A201 is offered in the QSOP package and has several advantages over conventional packages such as PDIP and SOIC, including:

- Reduced signal delays due to denser component packaging on circuit boards
- Reduced system noise due to less pin inductance

The QS4A201 is characterized for operation at  $-40^{\circ}C$  to  $+85^{\circ}C$ .

## FUNCTIONAL BLOCK DIAGRAM

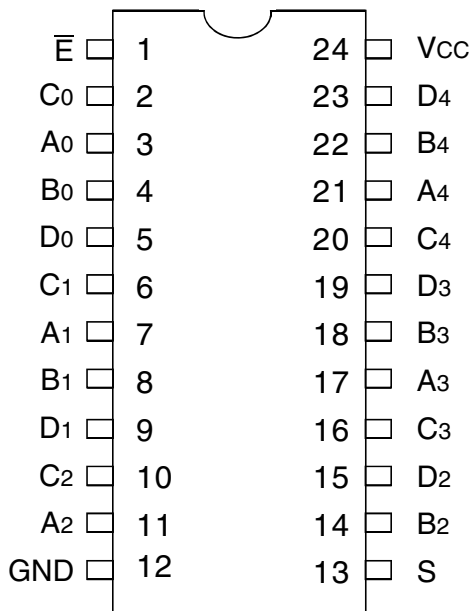


IDT and the IDT logo are registered trademarks of Integrated Device Technology, Inc.

**INDUSTRIAL TEMPERATURE RANGE**

**APRIL 2014**

## PIN CONFIGURATION



QSOP  
TOP VIEW

## ABSOLUTE MAXIMUM RATINGS(1)

Symbol	Description	Max	Unit
VTERM <sup>(2)</sup>	Supply Voltage to Ground	-0.5 to +7	V
VTERM <sup>(3)</sup>	DC Switch Voltage V <sub>s</sub>	-0.5 to +7	V
—	Analog Input Voltage	-0.5 to +7	V
VTERM <sup>(3)</sup>	DC Input Voltage V <sub>IN</sub>	-0.5 to +7	V
V <sub>AC</sub>	AC Input Voltage (pulse width ≤20ns)	-3	V
I <sub>OUT</sub>	DC Output Current	120	mA
P <sub>MAX</sub>	Maximum Power Dissipation	0.7	W
T <sub>STG</sub>	Storage Temperature	-65 to +150	°C

### NOTES:

- Stresses greater than those listed under ABSOLUTE MAXIMUM RATINGS may cause permanent damage to the device. This is a stress rating only and functional operation of the device at these or any other conditions above those indicated in the operational sections of this specification is not implied. Exposure to absolute maximum rating conditions for extended periods may affect reliability.
- V<sub>CC</sub> terminals.
- All terminals except V<sub>CC</sub>.

## PIN DESCRIPTION

Pin Names	I/O	Description
A <sub>x</sub> , B <sub>x</sub>	I/O	Ports A, B
C <sub>x</sub> , D <sub>x</sub>	I/O	Ports C, D
E-bar	I	Bus Switch Enable
S	I	Bus Exchange

## FUNCTION TABLE(1)

E-bar	S	A <sub>x</sub>	B <sub>x</sub>	Function
H	X	Z	Z	Disable
L	L	C <sub>x</sub>	D <sub>x</sub>	Enable
L	H	D <sub>x</sub>	C <sub>x</sub>	Exchange

### NOTE:

- H = HIGH Voltage Level  
L = LOW Voltage Level  
X = Don't Care  
Z = High-Impedance

## DC ELECTRICAL CHARACTERISTICS OVER OPERATING RANGE

Following Conditions Apply Unless Otherwise Specified:

Industrial: TA = -40°C to +85°C, VCC = 5V ± 5%

Symbol	Parameter	Test Conditions	Min.	Typ. <sup>(1)</sup>	Max.	Unit
<b>Analog Switch</b>						
V <sub>IN</sub>	Analog Signal Range <sup>(2)</sup>		-0.5	1	V <sub>CC</sub> - 1	V
r <sub>DS(ON)</sub>	Drain-source ON resistance <sup>(2,3)</sup>	V <sub>CC</sub> = Min., V <sub>IN</sub> = 0V, I <sub>ON</sub> = 30mA	—	5	7	Ω
		V <sub>CC</sub> = Min., V <sub>IN</sub> = 2.4V, I <sub>ON</sub> = 15mA	—	13	17	
I <sub>C(OFF)</sub>	Channel Off Leakage Current	A <sub>x</sub> , B <sub>x</sub> = V <sub>CC</sub> or 0V; C <sub>x</sub> , D <sub>x</sub> = 0V or V <sub>CC</sub> ; $\bar{E}$ = V <sub>CC</sub>	—	1	—	nA
I <sub>C(ON)</sub>	Channel On Leakage Current	A <sub>x</sub> = B <sub>x</sub> = 0V (each channel is turned on sequentially)	—	1	—	nA
<b>Digital Control</b>						
V <sub>IH</sub>	Input HIGH Voltage	Guaranteed Logic HIGH for Control Pins	2	—	—	V
V <sub>IL</sub>	Input LOW Voltage	Guaranteed Logic LOW for Control Pins	—	—	0.8	V
<b>Dynamic Characteristics</b>						
t <sub>TRANS</sub>	Exchange Switching Time S to C <sub>x</sub> , D <sub>x</sub>	R <sub>L</sub> = 1KΩ, C <sub>L</sub> = 100pF (See Transition Time)	0.5	—	6.6	ns
t <sub>ON(<math>\bar{E}</math>)}</sub>	Enable Turn-On Time $\bar{E}$ to C <sub>x</sub> , D <sub>x</sub>	R <sub>L</sub> = 1KΩ, C <sub>L</sub> = 100pF (See Switching Time)	0.5	—	6.5	ns
t <sub>OFF(<math>\bar{E}</math>)}</sub>	Enable Turn-Off Time $\bar{E}$ to C <sub>x</sub> , D <sub>x</sub>	R <sub>L</sub> = 1KΩ, C <sub>L</sub> = 100pF (See Switching Time)	0.5	—	6	ns
t <sub>PD</sub>	Group Delay <sup>(2,4a)</sup>	R <sub>L</sub> = 1KΩ, C <sub>L</sub> = 100pF	—	—	250	ps
f <sub>3dB</sub>	-3dB Bandwidth	V <sub>IN</sub> = 0 to 1V, 1V <sub>p-p</sub> , R <sub>L</sub> = 75Ω	—	1.3	—	GHz
	Off-isolation	V <sub>IN</sub> = 0 to 1V, 1V <sub>p-p</sub> , R <sub>L</sub> = 75Ω, f = 5.5MHz	—	-40	—	dB
X <sub>TALK</sub>	Crosstalk	V <sub>IN</sub> = 0 to 1V, 1V <sub>p-p</sub> , R <sub>L</sub> = 75Ω, f = 5.5MHz	—	-40	—	dB
C <sub>(OFF)</sub>	Switch Off Capacitance	$\bar{E}$ = V <sub>CC</sub> , V <sub>IN</sub> = V <sub>OUT</sub> = 0V	—	5	—	pF
C <sub>(ON)</sub>	Switch On Capacitance	$\bar{E}$ = 0V, V <sub>IN</sub> = V <sub>OUT</sub> = 0V	—	10	—	pF
Q <sub>CI</sub>	Charge Injection		—	1.5	—	pC

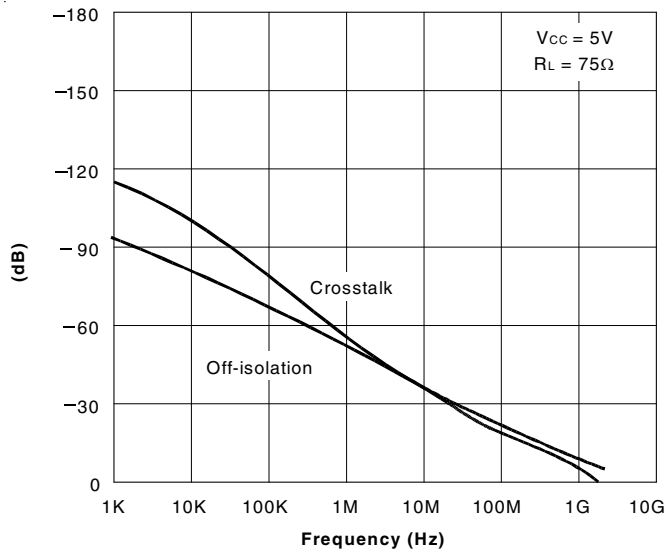
### NOTES:

1. Typical values are at V<sub>CC</sub> = 5.0V, T<sub>A</sub> = 25°C.
2. Max value is guaranteed but not production tested.
3. Measured by voltage drop between A and C pins or B and D pins at indicated current through the switch. ON resistance is determined by the lower of the voltages on the two (A, C, or B, D) pins.
4. The bus switch contributes no group delay other than the RC delay of the ON resistance of the switch and load capacitance. Group delay of the bus switch, when used in a system, is determined by the driving circuit on the driving side of the switch and its interaction with the load on the driven side.

## POWER SUPPLY CHARACTERISTICS

Symbol	Parameter	Test Conditions	Max.	Unit
I <sub>CC</sub>	Supply Current	V <sub>CC</sub> = Max., V <sub>IN</sub> = GND or V <sub>CC</sub>	3	μA

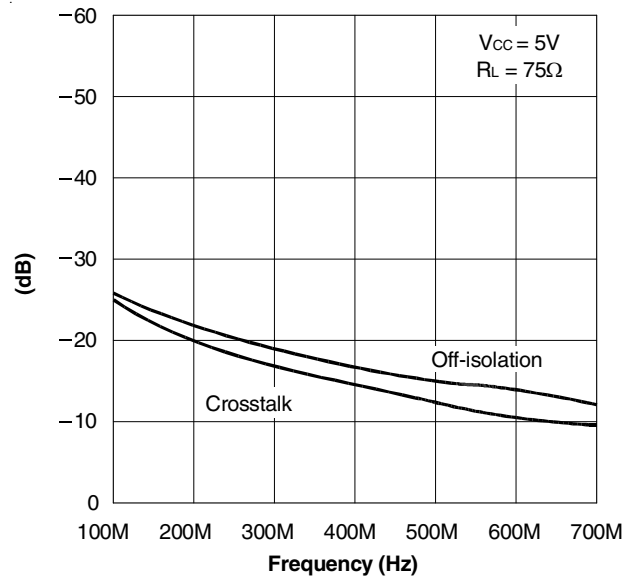
### TYPICAL CHARACTERISTICS



Off-isolation and Crosstalk vs. Frequency

**NOTES:**

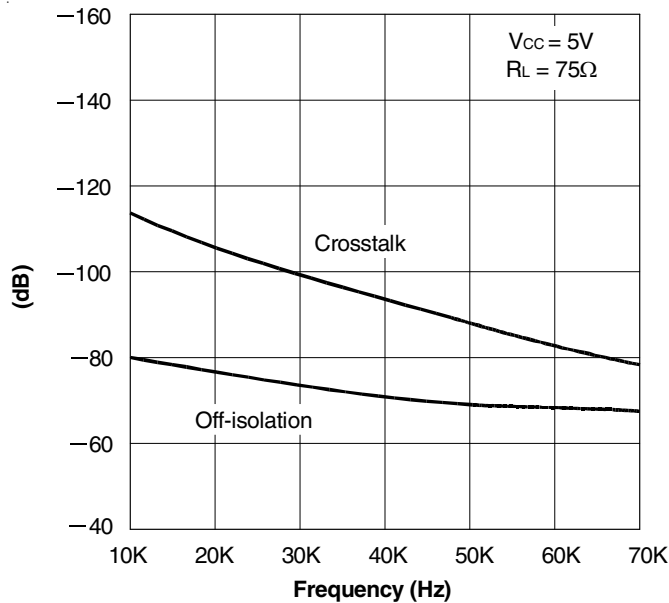
1. Crosstalk =  $20 \log |V_o/V_s|$
2. Off-isolation =  $20 \log |V_o/V_s|$



Off-isolation and Crosstalk vs. Frequency

**NOTES:**

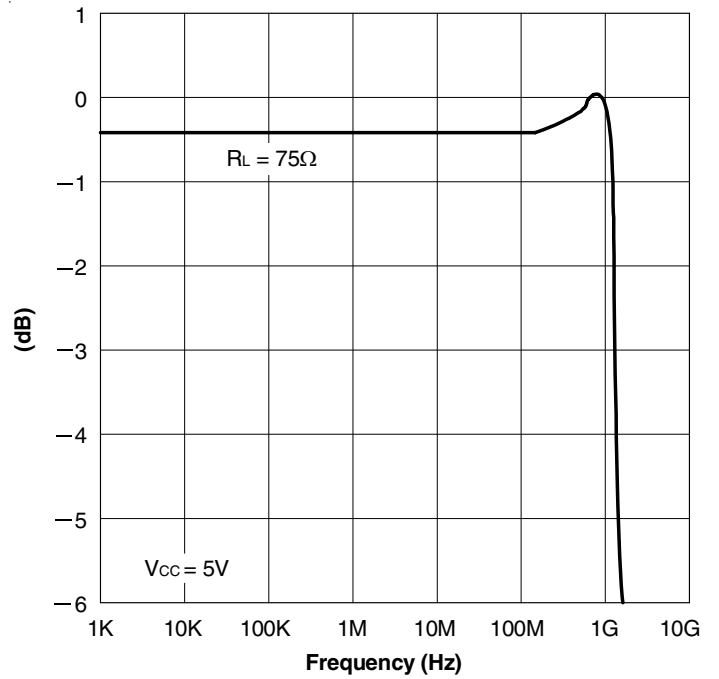
1. Crosstalk =  $20 \log |V_o/V_s|$
2. Off-isolation =  $20 \log |V_o/V_s|$



Off-isolation and Crosstalk vs. Frequency

**NOTES:**

1. Crosstalk =  $20 \log |V_o/V_s|$
2. Off-isolation =  $20 \log |V_o/V_s|$

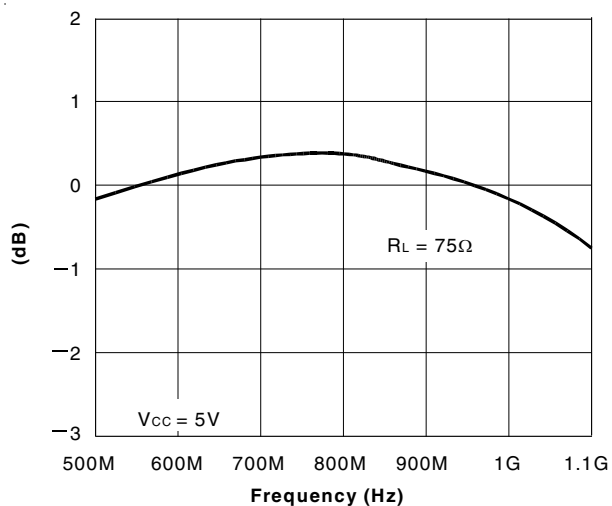


Insertion Loss vs. Frequency

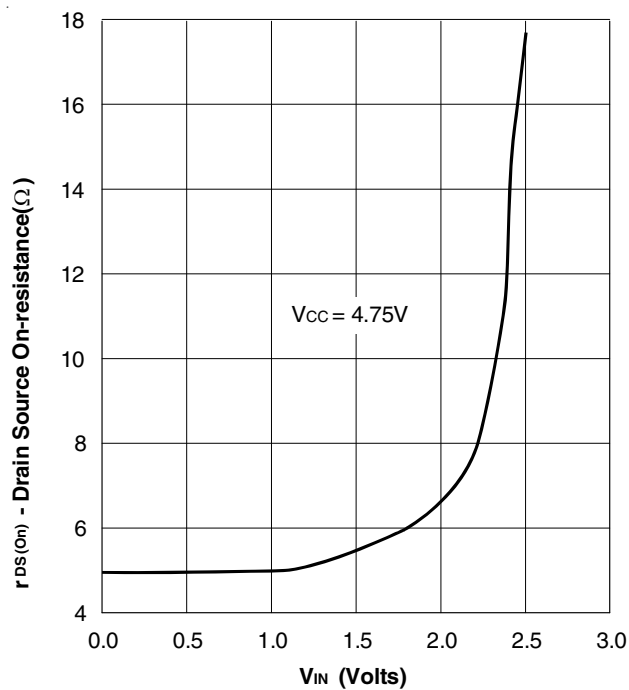
**NOTE:**

1. Insertion Loss =  $20 \log |V_o/V_s|$

**TYPICAL CHARACTERISTICS (CONTINUED)**



*Insertion Loss vs. Frequency*

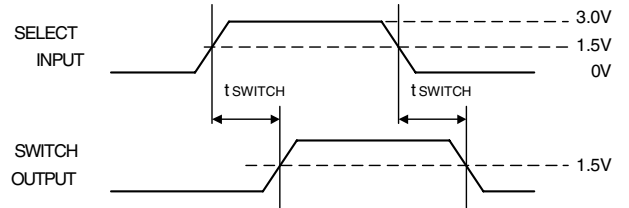
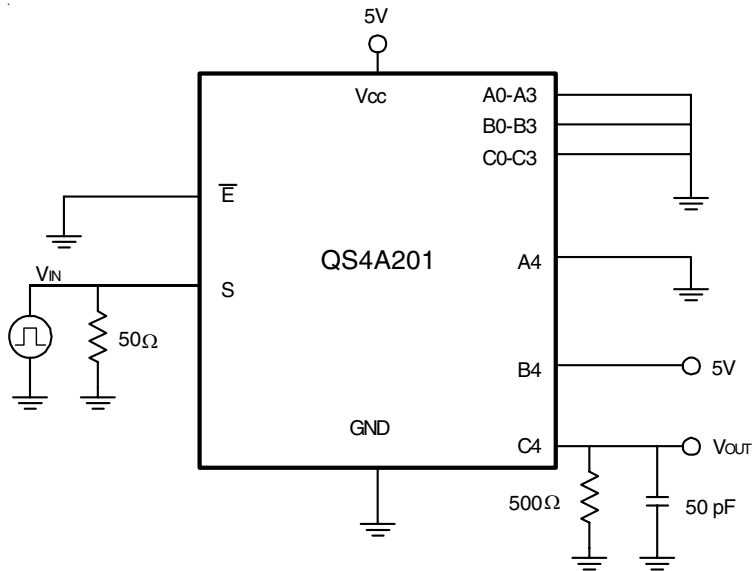


*On-Resistance vs. VIN*

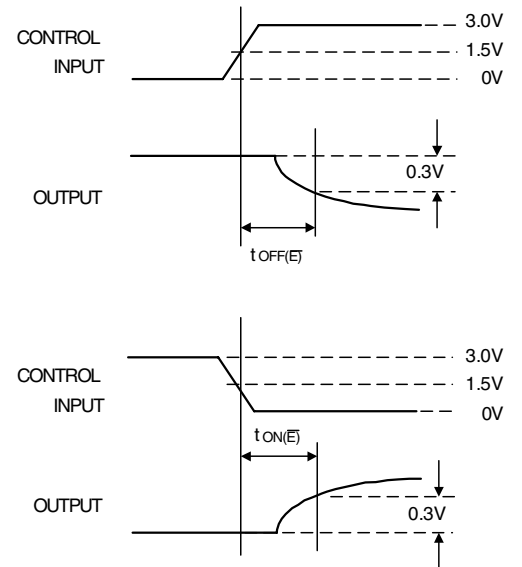
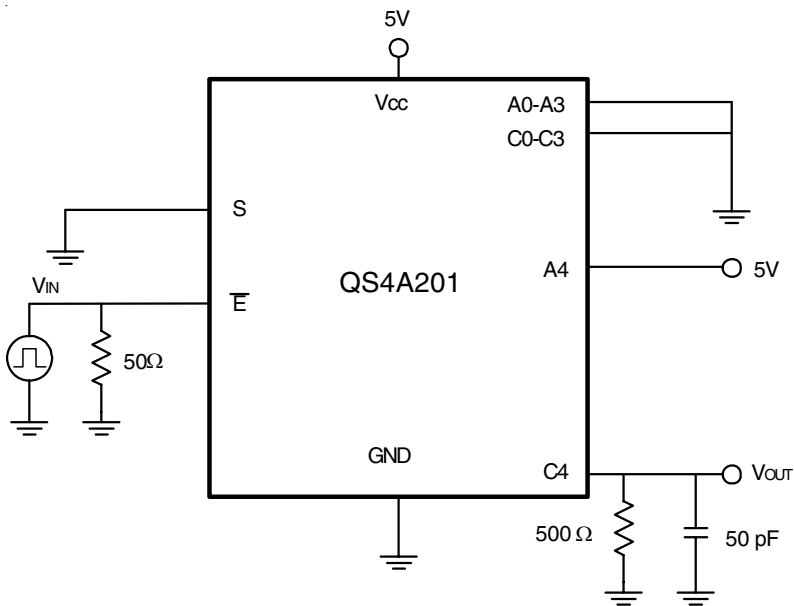
**NOTE:**  
 1. Insertion Loss = 20 log |Vo/Vs|

RON LINK

## TEST CIRCUITS

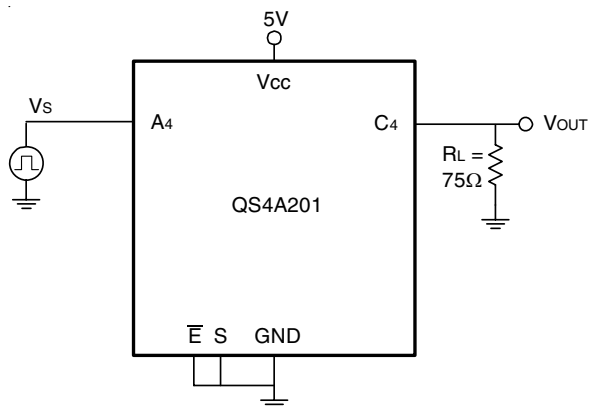


*Transition Time*



*Switching Time*

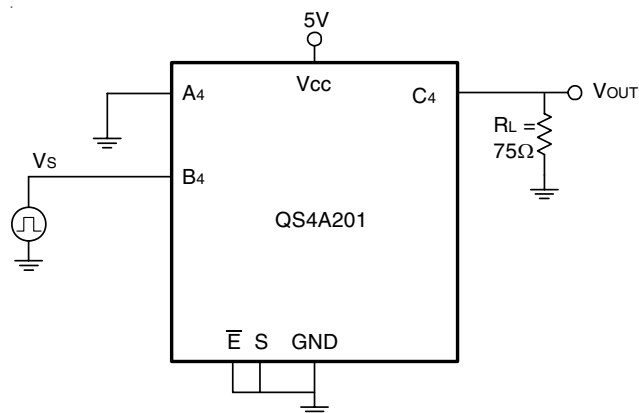
## TEST CIRCUITS (CONTINUED)



**Insertion Loss**

**NOTES:**

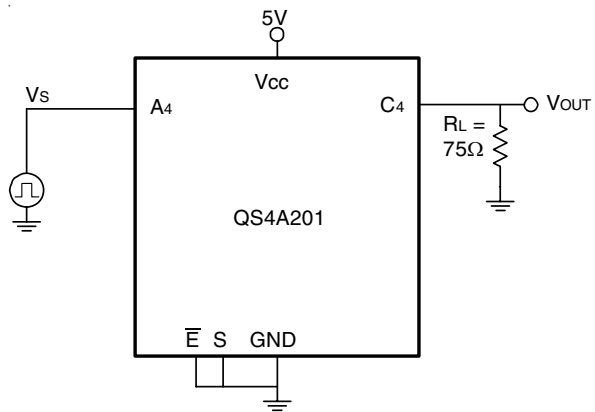
1. Insertion Loss =  $20 \log |V_o/V_s|$
2. All unused pins are grounded.



**Crosstalk**

**NOTES:**

1. Crosstalk =  $20 \log |V_o/V_s|$
2. All unused pins are grounded.



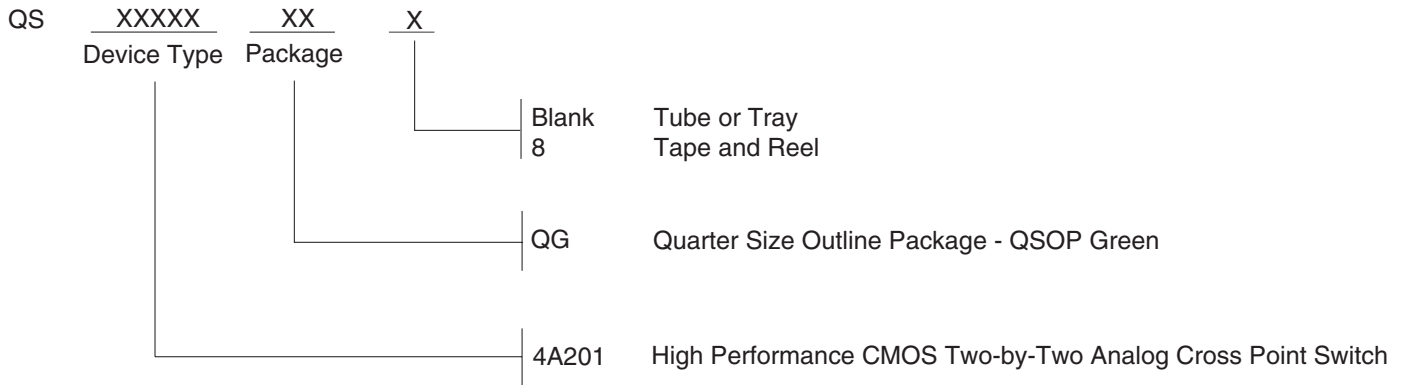
**Off-Isolation**

**NOTES:**

1. Off-isolation =  $20 \log |V_o/V_s|$
2. All unused pins are grounded.



## ORDERING INFORMATION



## DATASHEET DOCUMENT HISTORY

04/13/2014    Pg. 8    Updated the Ordering Information by removing non green package version, the "IDT" notation and Adding Tape and Reel information.



**CORPORATE HEADQUARTERS**  
6024 Silver Creek Valley Road  
San Jose, CA 95138

**for SALES:**  
800-345-7015 or 408-284-8200  
fax: 408-284-2775  
www.idt.com

**for Tech Support:**  
logichelp@idt.com