



Chipsmall Limited consists of a professional team with an average of over 10 year of expertise in the distribution of electronic components. Based in Hongkong, we have already established firm and mutual-benefit business relationships with customers from,Europe,America and south Asia,supplying obsolete and hard-to-find components to meet their specific needs.

With the principle of “Quality Parts,Customers Priority,Honest Operation,and Considerate Service”,our business mainly focus on the distribution of electronic components. Line cards we deal with include Microchip,ALPS,ROHM,Xilinx,Pulse,ON,Everlight and Freescale. Main products comprise IC,Modules,Potentiometer,IC Socket,Relay,Connector.Our parts cover such applications as commercial,industrial, and automotives areas.

We are looking forward to setting up business relationship with you and hope to provide you with the best service and solution. Let us make a better world for our industry!



Contact us

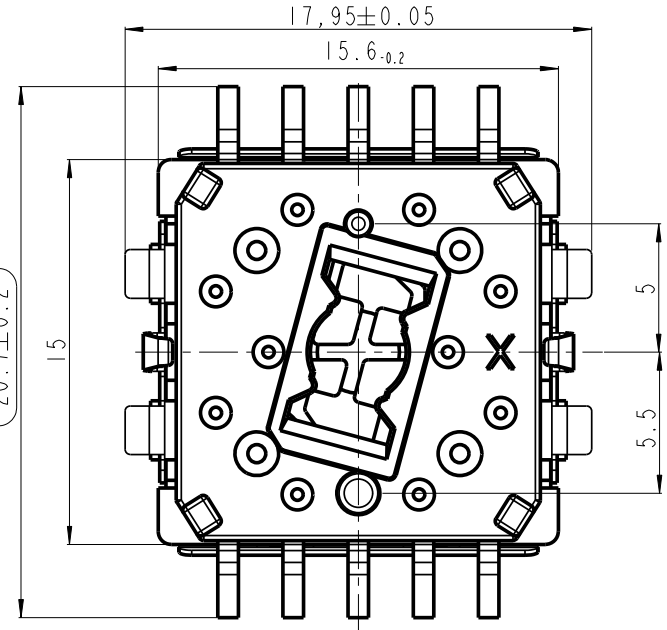
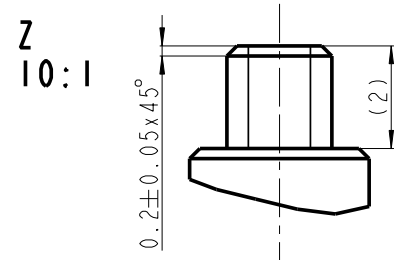
Tel: +86-755-8981 8866 Fax: +86-755-8427 6832

Email & Skype: info@chipsmall.com Web: www.chipsmall.com

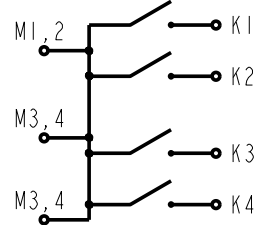
Address: A1208, Overseas Decoration Building, #122 Zhenhua RD., Futian, Shenzhen, China



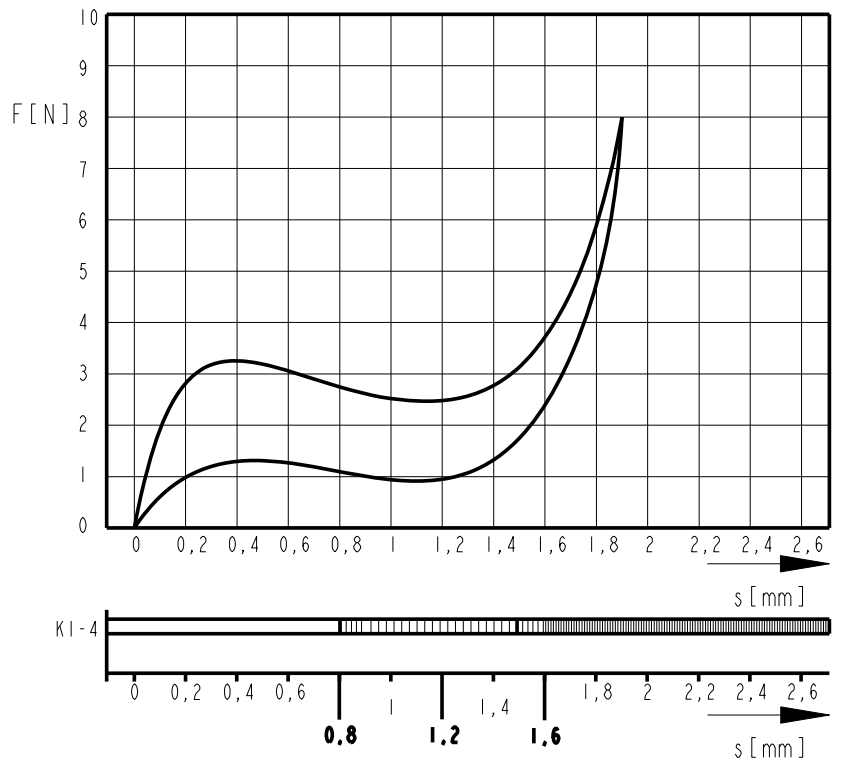
Gerät / Height
 Material / Material
 Scale / Maßstab
 Zeichnung / Drawing



Schaltbild
 circuit diagram



Kraft-Weg Diagramm / force/path-diagram



Kontakt/contact AUS / OFF
 Kontakt/contact EIN / ON bzw. AUS / OFF (Uebergangsbereich / in transition)
 Kontakt/contact EIN / ON

Schaltleistung / circuit breaking capacity max : 0,20 VA
 Schaltspannung / switching surge min/max : 20 mV/30V
 Schaltstrom / switching current min/max : 1mA/50mA
 Betaetigungskraft / operating force: 3,3 N ± 1 N
 Rueckstellkraft / return force: 105 ± 40 cN
 RD Schalter / switch: ≤ 100mΩ
 Betaetigungsweg / travel (bei 19mm): 1,9 + 0,5mm
 Schaltweg / switching travel (bei 19mm): 1,2 ± 0,4mm

Dichtigkeit nach IEC 529: IP40

Weitere Angaben siehe Datenblatt / further information see data sheet

Empfehlung / ecommendation:
 - Snap-in-Bohrungen durchkontaktieren / snap-in-holes plated through
 - Snap-in-Haken loetfaehig verzinkt / snap-arms solderable tinned

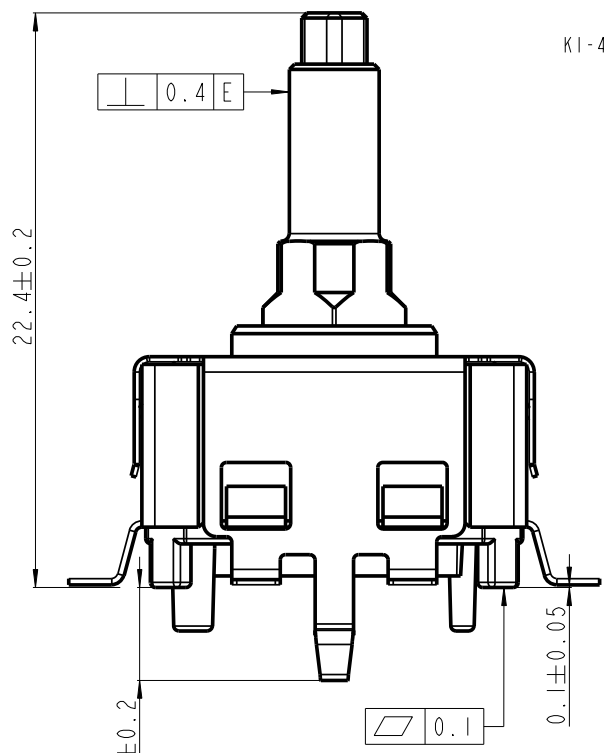
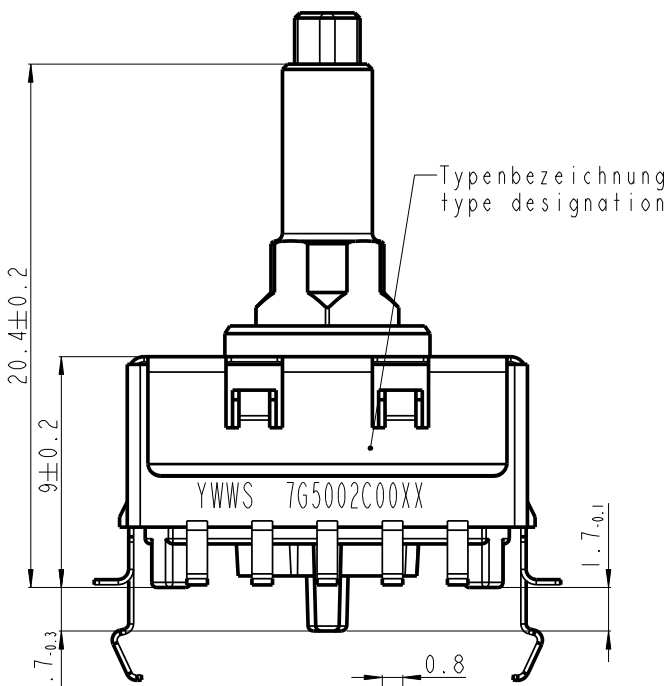
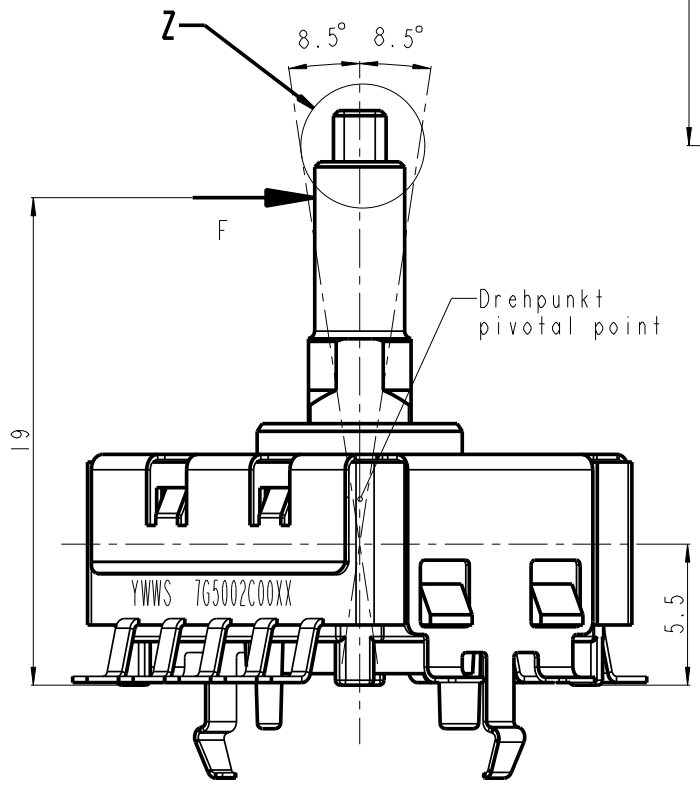
Lieferant: C&K Components
 Best. Nr.: QSA4S 3.5N HI G8 Ag 7G5002C0031

Kundenart. Nr. / customers part nr. :

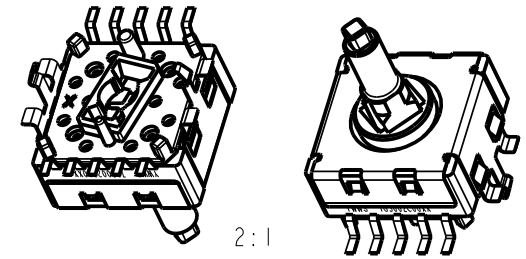
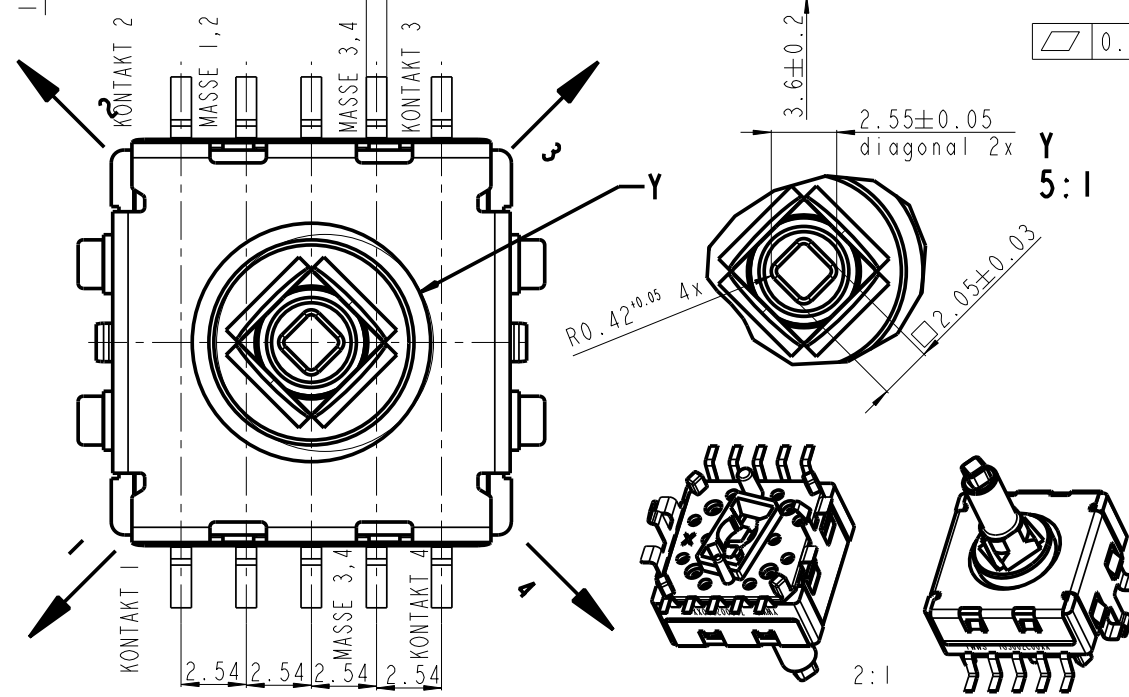
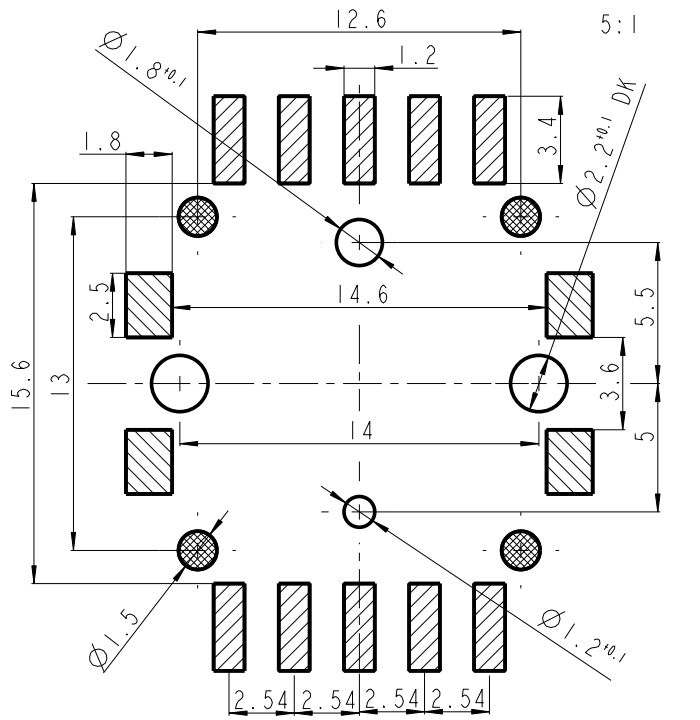
Schadstofffrei n. 2002/95/EG RoHS

Auflageflaechen frei von Leiterbahnen
 bearing surface free of conductor paths

Auslenkung bei F=4N
 deflection with F=4N



Lochbildempfehlung Bestueckungsseite /
 recommendation piecing scheme, mouting side



uncontrolled copy

ungelegte Kopie

The reproduction, distribution and utilization of this drawing as well as the creation of its copies or other reproductions without explicit permission of the copyright holder is prohibited. Offenders will be held liable for the payment of damages. All rights reserved in the event of the grant of a patent, utility model or design.

Kundenzeichnung customer drawing	Freimasstoleranz ± 0,1 ≠ ± 1*	Werkstoff: 10:1 5:1 2:1	Gewicht:
	Datum 03.03.08	Name Roehrs	
	Bearb. Gepr.		
QSA4S 3.5N HI G8 Ag			Serie
7G5002C0031-DW			OSA
a 2008/241	18.02.09	Roehrs	
Zus. Änderung	Datum	Nam.	
C&K Components		DeltaTech Controls GmbH D-13589 Berlin	
Ers.f.:		Ers.d.:	
		A2	