



Chipsmall Limited consists of a professional team with an average of over 10 year of expertise in the distribution of electronic components. Based in Hongkong, we have already established firm and mutual-benefit business relationships with customers from,Europe,America and south Asia,supplying obsolete and hard-to-find components to meet their specific needs.

With the principle of “Quality Parts,Customers Priority,Honest Operation,and Considerate Service”,our business mainly focus on the distribution of electronic components. Line cards we deal with include Microchip,ALPS,ROHM,Xilinx,Pulse,ON,Everlight and Freescale. Main products comprise IC,Modules,Potentiometer,IC Socket,Relay,Connector.Our parts cover such applications as commercial,industrial, and automotives areas.

We are looking forward to setting up business relationship with you and hope to provide you with the best service and solution. Let us make a better world for our industry!



Contact us

Tel: +86-755-8981 8866 Fax: +86-755-8427 6832

Email & Skype: info@chipsmall.com Web: www.chipsmall.com

Address: A1208, Overseas Decoration Building, #122 Zhenhua RD., Futian, Shenzhen, China



Qualtek

Electronics Corporation



Fan-S
Division

AC & DC Fans



www.Qualtekusa.com



About Us










Qualtek Electronics Corp. was established in 1980 and has become a world leader in fan accessories, primary power components, EMI power line filters, cable assemblies, domestic and international power cords, and heat shrink products. Qualtek provides high quality, low cost products and superior customer service.

Qualtek is known for its persistent commitment to quality and technology. Not simply a manufacturer, Qualtek is equipped with a strategic global network of resources and expertise in various fields and provides a select portfolio of components, products and consultant services as solutions to the electronics industry. According to geographical peculiarities, various regions have different strengths in product design and production. Having anticipated the growth opportunity through the commercial exchange of products, information and technologies across the borders, Qualtek established an extensive international network, professional operations, efficient logistics, competent marketing and sales organization to facilitate this mission.



Qualtek supports its customers through a global network of offices, engineers, manufacturer's representatives, and authorized stocking distributors. Qualtek also provides tooling capabilities to modify or customize products to meet specific customer requirements.
















Qualtek is an ISO 9001 registered facility and our products are designed, manufactured, and tested to meet the domestic and international safety requirements. We are committed to the continual improvement of our products, our service and our quality management system. A full range of products are maintained in inventory for quick, on-time deliveries.








INDEX

AC Axial Fans			
Series	Size	Features	Page
AC Axial Fans Overview			7
FAA1-08025	80x80x25mm	115VAC-230VAC, 15 - 21 CFM, 18.3 - 27.8 dB	8
FAA1-08038	80x80x38mm	115VAC-230VAC, 22 - 29.6 CFM, 25.3 - 31.6 dB	9
FAA1-09225	92x92x25mm	115VAC-230VAC, 25 - 34 CFM, 21.1 - 30.1 dB	10
FAA1-12025	120x120x25mm	115VAC-230VAC, 65 - 71 CFM, 38.7 - 44.1 dB	11
FAA1-12038-A	120x120x38mm	115VAC-230VAC, 53.5 - 107 CFM, 30.5 - 48.1 dB	12
FDA2-17238	172x150x38mm 	115VAC-230VAC, 210 - 240 CFM, 53 - 59 dB, IP54 Rated	13
FKA1-17251	172x150x51mm	115VAC-230VAC, 140 - 189 CFM, 50.3 - 57.7 dB	14
FKA2-17251	172x150x51mm	115VAC-230VAC, 155 - 210 CFM, 56.6 - 65.0 dB	15
FDA2-17251	172x150x51mm 	115VAC-230VAC, 210 - 275 CFM, 53 - 60 dB, IP54 Rated	16
FDA2-R17251	172x51mm (round) 	115VAC-230VAC, 230 - 270 CFM, 55 - 61dB, IP54 Rated	17
FDA2-17255	172x150x55mm 	115VAC-230VAC, 210 - 240 CFM, 57 - 61 dB, IP54 Rated	18
FKA2-17689	176x176x89mm	115VAC-230VAC, 330 - 380 CFM, 66.4 - 70.0 dB	19
FKA2-18065	180x180x65mm	115VAC-230VAC, 350 - 410 CFM, 70.0 - 72.0 dB	20
FKA2-20572	205x205x72mm	115VAC-230VAC, 600 - 665 CFM, 72.0 - 75.4 dB	21
FDA2-22580	225x225x80mm 	115VAC-230VAC, 580 - 670 CFM, 68 - 71 dB, IP54 Rated	22
FKA2-25489	254x89mm (round)	115VAC-230VAC, 450 - 630 CFM, 55.6 - 66.0 dB	23
FDA2-25489	254x89mm (round) 	115VAC-230VAC, 337 - 860 CFM, 50 - 68 dB, IP54 Rated	24
FDA2-28080	280x280x80mm 	115VAC-230VAC, 1030 - 1150 CFM, 70 - 73 dB, IP54 Rated	25
FKA2-28089	280x89mm	115VAC-230VAC, 680 - 810 CFM, 56 - 59 dB	26
FKA2-28089-A	280X89mm	115VAC-230VAC, 1380 - 1480 CFM, 73 - 75 dB	27

DC Axial Fans			
Series	Size	Features	Page
DC Axial Fans Overview			28
FAD1-02510	25x25x10mm	5, 12 VDC, 1.6 - 2.1 CFM, 12.5 - 23.0 dB	29
FAD1-03010	30x30x10mm	5, 12 VDC, 2.2 - 4.0 CFM, 19.0 - 34.0 dB	30
FAD1-04010	40x40x10mm	5, 12, 24 VDC, 3.3 - 7.0 CFM, 14.0 - 29.0 dB	31
FAD1-04020	40x40x20mm	5, 12, 24 VDC, 4.4 - 9.57 CFM, 17.5 - 37.5 dB	32
FAD1-05010	50x50x10mm	5, 12, 24 VDC, 8.0 - 10.3 CFM, 20.0 - 27.5 dB	33
FAD1-06020	60x60x20mm	5, 12, 24 VDC, 10.7 - 23.5 CFM, 18.4 - 39.0 dB	34
FAD1-06025-A	60x60x25mm	5, 12, 24 VDC, 12.7 - 31.6 CFM, 18.9 - 42.7 dB	35
FAD1-08015	80x80x15mm	5, 12, 24 VDC, 21.8 - 34.3 CFM, 18.8 - 38.1 dB	36
FAD1-08025-A IC	80x80x25mm	12, 24 VDC, 19.8 - 56.8 CFM, 18.3 - 48.1 dB	37
FAD1-08025-A	80x80x25mm	12, 24 VDC, 19.8 - 43.5 CFM, 18.3 - 40.5 dB	38
FAD1-08032	80x80x32mm	12, 24, 48 VDC, 39.5 - 55.3 CFM, 35.5 - 44.0 dB	39
FAD1-08038	80x80x38mm	12, 24 VDC, 30.6 - 62.1 CFM, 25.5 - 43.7 dB	40
FAD1-09225 IC	92x92x25mm	12, 24, 48 VDC, 30.3 - 61.9 CFM, 19.1 - 42.2 dB	41

DC Axial Fans continued			
Series	Size	Features	Page
FAD1-09225	92x92x25mm	12, 24 VDC, 30.3 - 61.9 CFM, 19.1 - 42.2 dB	42
FAD1-12025	120x120x25mm	12, 24, 48 VDC, 57.2 - 98.9 CFM, 27.2 - 43.3 dB	43
FAD1-12032	120x120x32mm	12, 24, 48 VDC, 59.4 - 133.4 CFM, 26.9 - 48.4 dB	44
FAD1-12038	120x120x38mm	12, 24, 48 VDC, 57.2 - 120.1 CFM, 28.4 - 48.0 dB	45
FAD1-12738	127x127x38mm	12, 24, 48 VDC, 107.0 - 242.0 CFM, 41.0 - 64.5 dB	46
FDD1-17238	172x150x38mm 	12, 24, 48 VDC, 210 - 360 CFM, 52 - 72 dB	47
FDD1-17251	172x150x51mm 	12, 24, 48 VDC, 220 - 390 CFM, 52 - 72 dB	48
HPLC DC Fan Special Functions			49

Harsh Environment & Salt Fog Rated Fans - IP56 Rated			
Series	Size	Features	Page
Harsh Environment & Salt Fog Rated Fans Overview			50
FDA2-17238	172x150x38mm 	115 - 230 VAC, 210 - 240 CFM, 53 - 59 dB, IP56 Rated	51
FDA2-17251	172x150x51mm 	115 - 230 VAC, 210 - 275 CFM, 53 - 60 dB, IP56 Rated	52
FDA2-R17251	172x51mm (round) 	115 - 230 VAC, 230 - 270 CFM, 55 - 61 dB, IP56 Rated	53
FDA2-17255	172x150x55mm 	115 - 230 VAC, 210 - 240 CFM, 57 - 61 dB, IP56 Rated	54
FDA2-22580	225x225x80mm 	115 - 230 VAC, 580 - 670 CFM, 68 - 71 dB, IP56 Rated	55
FDA2-25489	254x89mm (round) 	115 - 230 VAC, 337 - 860 CFM, 50 - 68 dB, IP56 Rated	56
FDA2-28080	280x280x80mm 	115 - 230 VAC, 1030 - 1150 CFM, 70 - 73 dB, IP56 Rated	57
FDD1-17251	172x150x51mm 	12, 24, 48 VDC, 220 - 390 CFM, 52 - 72 dB, IP56 Rated	58
FDA2-17238-SF	172x150x38mm 	115 - 230 VAC, 210 - 240 CFM, 53 - 59 dB, IP56, Salt Fog Rated	59
FDA2-17251-SF	172x150x51mm 	115 - 230 VAC, 210 - 275 CFM, 53 - 60 dB, IP56, Salt Fog Rated	60
FDA2-R17251-SF	172x51 (round) 	115 - 230 VAC, 230 - 270 CFM, 55 - 61 dB, IP56, Salt Fog Rated	61
FDA2-17255-SF	172x150x55mm 	115 - 230 VAC, 210 - 240 CFM, 57 - 61 dB, IP56, Salt Fog Rated	62
FDA2-22580-SF	225x225x80mm 	115 - 230 VAC, 580 - 670 CFM, 68 - 71 dB, IP56, Salt Fog Rated	63
FDA2-25489-SF	254x89mm (round) 	115 - 230 VAC, 337 - 860 CFM, 50 - 68 dB, IP56, Salt Fog Rated	64
FDA2-28080-SF	280x280x80mm 	115 - 230 VAC, 1030 - 1150 CFM, 70 - 73 dB, IP56, Salt Fog Rated	65

AC Centrifugal Fans			
Series	Size	Features	Page
AC Centrifugal Fans Overview			66
FDA5-13380	133x80mm 	115 - 230 VAC, 145 - 165 CFM, 62 - 65 dB	67
FDA5-17065	170x65mm 	115 - 230 VAC, 210 - 240 CFM, 67 - 69 dB	68
FDA5-19067	190x67mm 	115 - 230 VAC, 190 - 230 CFM, 59 - 61 dB	69
FDA5-19072	190x72mm 	115 - 230 VAC, 240 - 275 CFM, 70 - 73 dB	70
FDA5-22076	220x76mm 	115 - 230 VAC, 490 - 550 CFM, 75 - 78 dB	71
FDA5-225101	225x101mm 	115 - 230 VAC, 320 - 610 CFM, 58 - 74 dB	72
FDA5-25076	250x76mm 	115 - 230 VAC, 560 - 610 CFM, 76 - 78 dB	73

Fan Accessories

Aluminum Fan Filters - 06 Series, Fan Power Cords - 07 Series	74
Wire Form Fan Guards - 08 Series	75
Plastic Fan Guards - 09 Series, Fan Silencer and Accessories	76
Plastic Fan Filter Assemblies - 09 Series	77
Fan Accessories Guide - AC Fans	78
Fan Accessories Guide - DC Fans	79

AC AXIAL FANS



- Size: 80mm - 280mm
- Bearing Type: 2-ball, 1-ball 1-sleeve, sleeve & hydro dynamic
- Voltage: 115 - 230 VAC
- Motor Types: shaded pole, capacitor-run, external rotor
- Electrical Connection: wire leads, blade terminals, terminal block
- HPLC Fans IP54 rated
- Custom design and configurations available





Features:

- Motor: Shaded Pole Induction Motor
- Motor Protection: Impedance Protected
- Bearing Type: Two Ball or Sleeve
- Connection: UL 1430 AWG 22, 280mm Wire Leads or Terminal
- Frame Material: Aluminum Alloy
- Impeller Material: Plastic UL94V-0
- Operating Temp:
 - Two Ball: -10°C~70°C
 - Sleeve: -10°C~60°C
- Life Expectancy:
 - Two Ball: 50,000 Hours
 - Sleeve: 30,000 Hours



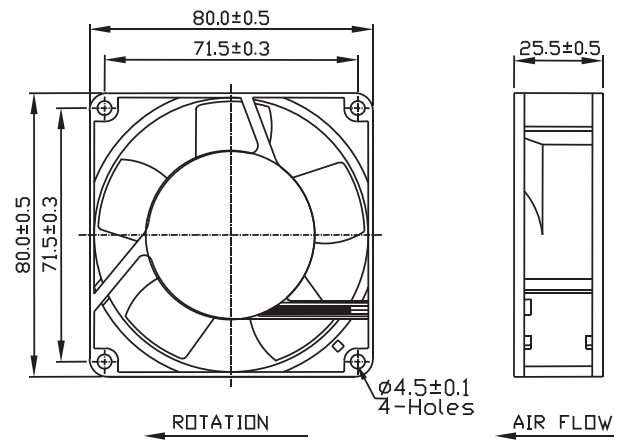
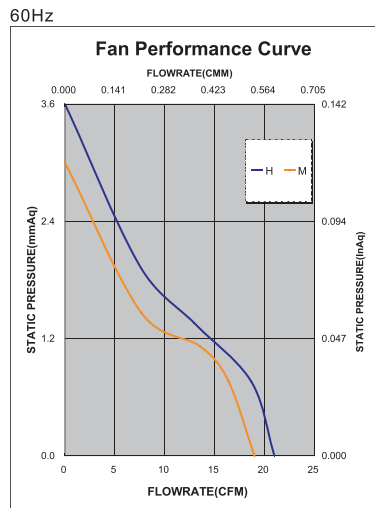
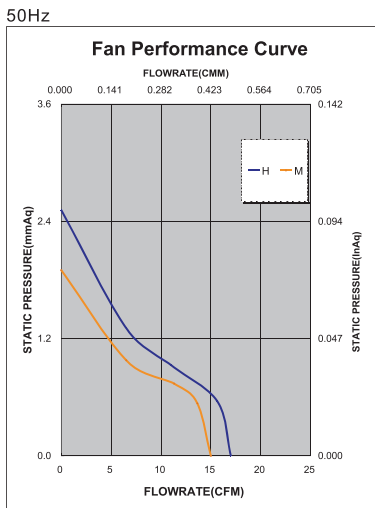
Fan-S Division



Model No.	Volt.	Freq.	Current	Power	Rated Speed	Maximum AirFlow		Maximum Static Pressure		Noise Level	Weight
	(VAC)	(Hz)	(A)	(W)	(rpm)	(CMM)	(CFM)	(InAq)	(mmAq)	(dB/A)	(g)
FAA1-08025N * H ** 31	115	50/60	0.08/0.07	7.40/5.80	2300/2800	0.481/0.594	17.0/21.0	0.099/0.125	2.515/3.600	21.2/27.8	210
FAA1-08025Q * H ** 31	230	50/60	0.07/0.06	15.18/13.11	2300/2800	0.481/0.594	17.0/21.0	0.099/0.125	2.515/3.600	21.2/27.8	210
FAA1-08025N * M ** 31	115	50/60	0.13/0.12	13.90/11.80	1900/2500	0.424/0.537	15.0/19.0	0.075/0.118	1.900/3.000	18.3/24.0	210
FAA1-08025Q * M ** 31	230	50/60	0.08/0.07	16.10/14.20	1900/2500	0.424/0.537	15.0/19.0	0.075/0.118	1.900/3.000	18.3/24.0	210

* Indicates "B" (Ball Bearing) or "S" (Sleeve Bearing)
 ** Indicates "W" (Wire Leads) or "T" (Terminal)

Noise is measured at the distance of one (1) meter from the axis of intake.





Features:

- Motor: Shaded Pole Induction Motor
- Motor Protection: Impedance Protected
- Bearing Type: Two Ball, Sleeve, or Hydro Dynamic
- Connection: UL 1430 AWG 22, 280mm Wire Leads or Terminal
- Frame Material: Aluminum Alloy
- Impeller Material: Plastic UL94V-0
- Operating Temp:
 - Two Ball: -10°C~70°C
 - Sleeve: -10°C~60°C
 - Hydro Dynamic: -10°C~70°C
- Life Expectancy:
 - Two Ball: 50,000 Hours
 - Sleeve: 30,000 Hours
 - Hydro Dynamic: 50,000 Hours



Fan-S Division



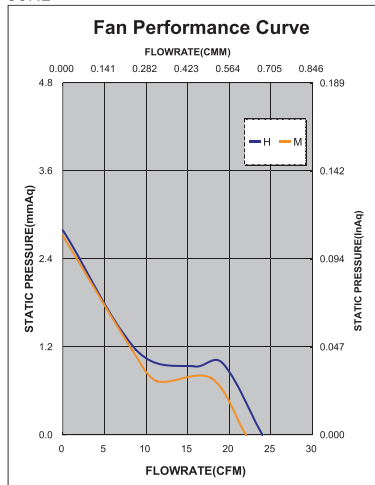
Model No.	Volt.	Freq.	Current	Power	Rated Speed	Maximum AirFlow		Maximum Static Pressure		Noise Level	Weight
	(VAC)	(Hz)	(A)	(W)	(rpm)	(CMM)	(CFM)	(InAq)	(mmAq)	(dB/A)	(g)
FAA1-08038N * H ** 31	115	50/60	0.13/0.10	11.50/8.50	2400/2800	0.679/0.837	24.0/29.6	0.110/0.166	2.794/4.216	26.2/31.6	320
FAA1-08038Q * H ** 31	230	50/60	0.07/0.06	12.50/9.50	2400/2800	0.679/0.837	24.0/29.6	0.110/0.166	2.794/4.216	26.2/31.6	320
FAA1-08038N * M ** 31	115	50/60	0.07/0.06	5.00/4.00	2300/2400	0.622/0.679	22.0/24.0	0.107/0.110	2.717/2.794	25.3/26.2	320
FAA1-08038Q * M ** 31	230	50/60	0.04/0.03	6.00/5.00	2300/2400	0.622/0.679	22.0/24.0	0.107/0.110	2.717/2.794	25.3/26.2	320

* Indicates "B" (Ball Bearing), "S" (Sleeve Bearing), or "H" (Hydro Dynamic)

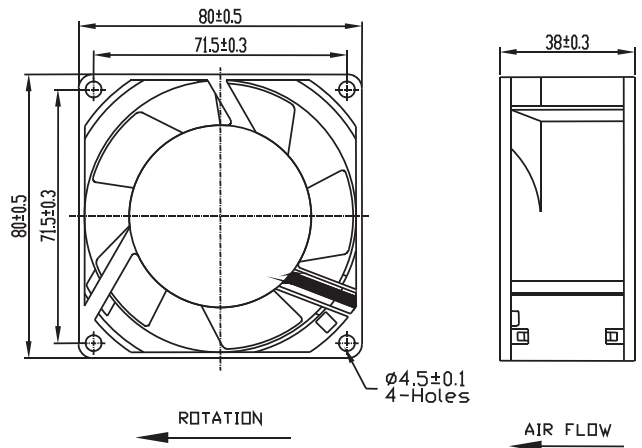
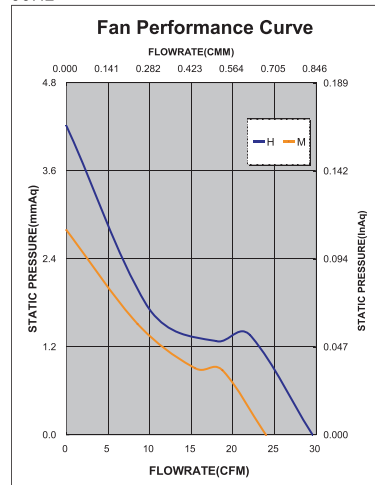
Noise is measured at the distance of one (1) meter from the axis of intake.

** Indicates "W" (Wire Leads) or "T" (Terminal)

50Hz



60Hz





Features:

- Motor: Shaded Pole Induction Motor
- Motor Protection: Impedance Protected
- Bearing Type: Two Ball or Sleeve
- Connection: UL 1430 AWG 22, 280mm Wire Leads or Terminal
- Frame Material: Aluminum Alloy
- Impeller Material: Plastic UL94V-0
- Operating Temp:
 - Two Ball: -10°C~70°C
 - Sleeve: -10°C~60°C
- Life Expectancy:
 - Two Ball: 50,000 Hours
 - Sleeve: 30,000 Hours



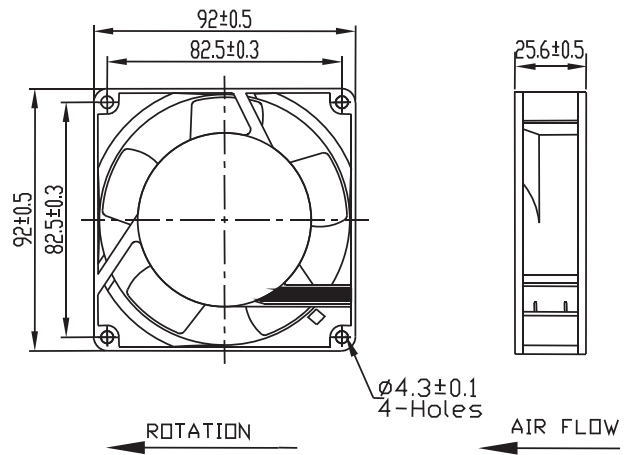
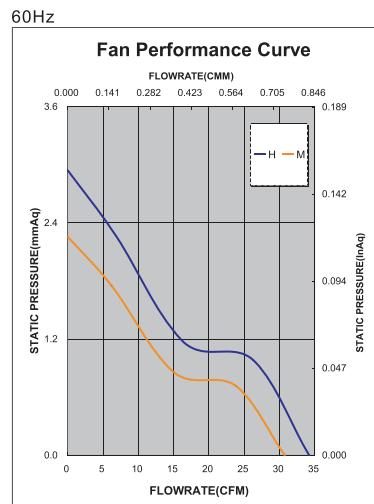
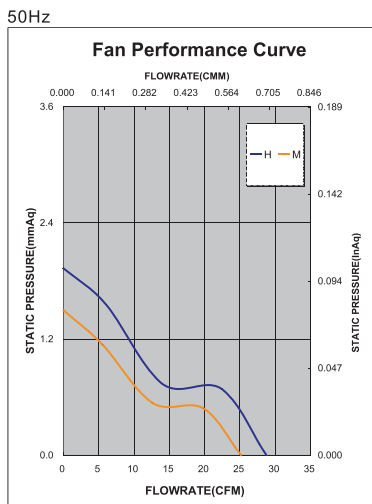
Fan-S Division



Model No.	Volt.	Freq.	Current	Power	Rated Speed	Maximum AirFlow		Maximum Static Pressure		Noise Level	Weight
	(VAC)	(Hz)	(A)	(W)	(rpm)	(CMM)	(CFM)	(InAq)	(mmAq)	(dB/A)	(g)
FAA1-09225N * H ** 31	115	50/60	0.15/0.13	17.30/15.00	2000/2400	0.792/0.962	28.0/34.0	0.076/0.116	1.930/2.946	24.1/30.1	230
FAA1-09225Q * H ** 31	230	50/60	0.07/0.06	16.10/13.80	2000/2400	0.792/0.962	28.0/34.0	0.076/0.116	1.930/2.946	24.1/30.1	230
FAA1-09225N * M ** 31	115	50/60	0.15/0.13	17.30/15.00	1800/2200	0.707/0.863	25.0/30.5	0.059/0.089	1.498/2.260	21.1/26.8	230
FAA1-09225Q * M ** 31	230	50/60	0.07/0.06	16.10/13.80	1800/2200	0.707/0.863	25.0/30.5	0.059/0.089	1.498/2.260	21.1/26.8	230

* Indicates "B" (Ball Bearing) or "S" (Sleeve Bearing)
 ** Indicates "W" (Wire Leads) or "T" (Terminal)

Noise is measured at the distance of one (1) meter from the axis of intake.





Features:

- Motor: Shaded Pole Induction Motor
- Motor Protection: Impedance Protected
- Bearing Type: Two Ball or Sleeve
- Connection: UL 1430 AWG 22, 280mm Wire Leads or Terminal
- Frame Material: Aluminum Alloy
- Impeller Material: Plastic UL94V-0
- Operating Temp:
 - Two Ball: -10°C~70°C
 - Sleeve: -10°C~60°C
- Life Expectancy:
 - Two Ball: 50,000 Hours
 - Sleeve: 30,000 Hours



Fan-S Division



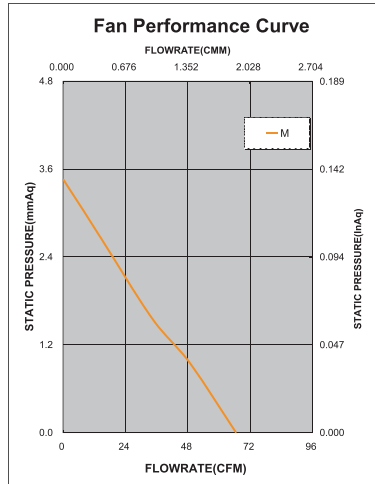
Model No.	Volt.	Freq.	Current	Power	Rated Speed	Maximum AirFlow		Maximum Static Pressure		Noise Level	Weight
	(VAC)	(Hz)	(A)	(W)	(rpm)	(CMM)	(CFM)	(InAq)	(mmAq)	(dB/A)	(g)
FAA1-12025N * M **31	115	50/60	0.22/0.18	26.45/20.70	2200/2300	1.839/2.009	65.0/71.0	0.130/0.156	3.302/3.962	38.7/44.1	340
FAA1-12025Q * M **31	230	50/60	0.10/0.09	23.00/20.70	2200/2300	1.839/2.009	65.0/71.0	0.130/0.156	3.302/3.962	38.7/44.1	340

* Indicates "B" (Ball Bearing) or "S" (Sleeve Bearing)

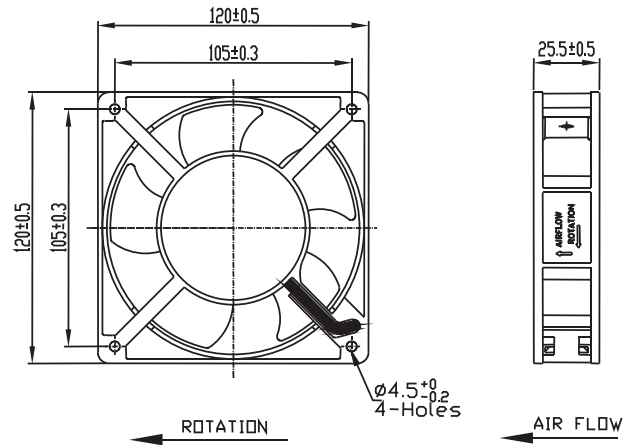
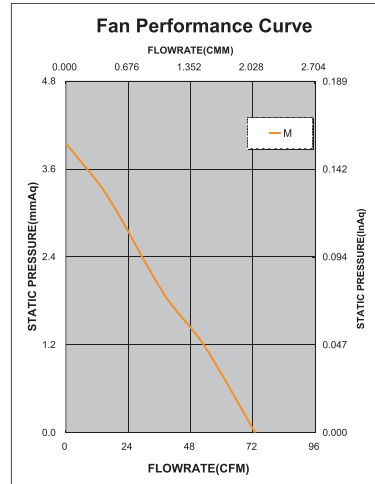
** Indicates "W" (Wire Leads) or "T" (Terminal)

Noise is measured at the distance of one (1) meter from the axis of intake.

50Hz



60Hz





Features:

- Motor: Shaded Pole Induction Motor
- Motor Protection: Impedance Protected
- Bearing Type: Two Ball, Sleeve, or Hydro Dynamic
- Connection: UL 1430 AWG 22, 280mm Wire Leads or Terminal
- Frame Material: Aluminum Alloy
- Impeller Material: Plastic UL94V-0
- Operating Temp:
 - Two Ball: -10°C~70°C
 - Sleeve: -10°C~60°C
 - Hydro Dynamic: -10°C~70°C
- Life Expectancy:
 - Two Ball: 50,000 Hours
 - Sleeve: 30,000 Hours
 - Hydro Dynamic: 50,000 Hours



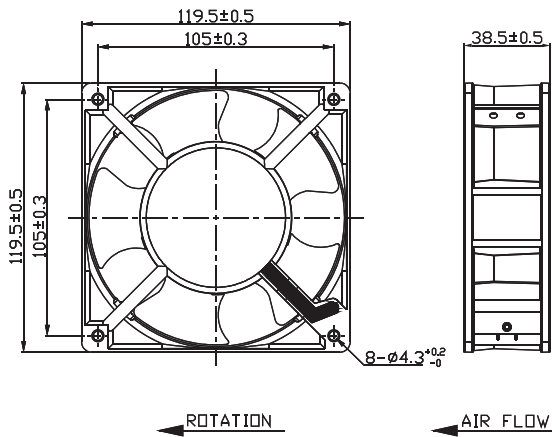
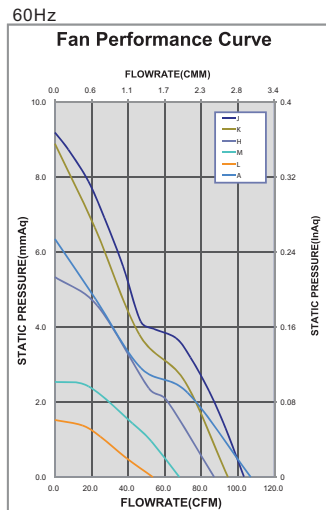
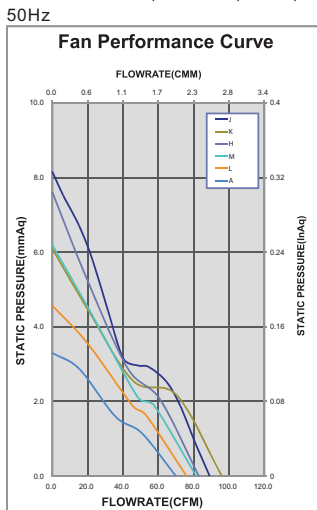
Fan-S Division



Model No.	Volt.	Freq.	Current	Power	Rated Speed	Maximum AirFlow		Maximum Static Pressure		Noise Level	Weight
	(VAC)	(Hz)	(A)	(W)	(rpm)	(CMM)	(CFM)	(InAq)	(mmAq)	(dB/A)	(g)
FAA1-12038N * K ** 31-A	115	50/60	0.28/0.24	21.20/19.20	2400/2600	2.720/3.030	96.0/107.0	0.240/0.250	6.096/6.350	46.4/48.1	550
FAA1-12038Q * K ** 31-A	230	50/60	0.14/0.12	17.50/19.80	2400/2600	2.720/3.030	96.0/107.0	0.240/0.250	6.096/6.350	46.4/48.1	550
FAA1-12038N * J ** 31-A	115	50/60	0.27/0.22	20.40/17.20	2700/3100	2.410/2.750	91.2/103.5	0.310/0.350	8.170/9.070	42.6/47.0	550
FAA1-12038Q * J ** 31-A	230	50/60	0.13/0.11	20.80/17.60	2700/3100	2.410/2.750	91.2/103.5	0.310/0.350	8.170/9.070	42.6/47.0	550
FAA1-12038N * H ** 31-A	115	50/60	0.24/0.19	17.00/14.00	2600/2900	2.410/2.750	85.0/97.0	0.310/0.350	7.900/8.870	42.2/44.5	550
FAA1-12038Q * H ** 31-A	230	50/60	0.11/0.09	17.10/14.80	2600/2900	2.410/2.750	85.0/97.0	0.310/0.350	7.900/8.870	42.2/44.5	550
FAA1-12038N * M ** 31-A	115	50/60	0.18/0.15	13.80/12.40	2600/2800	2.310/2.460	81.5/87.0	0.240/0.210	6.196/5.334	41.0/42.0	550
FAA1-12038Q * M ** 31-A	230	50/60	0.08/0.07	13.80/12.50	2600/2800	2.310/2.460	81.5/87.0	0.240/0.210	6.196/5.334	41.0/42.0	550
FAA1-12038N * L ** 31-A	115	50/60	0.12/0.11	9.00/8.70	2400/2200	2.150/2.020	76.0/71.5	0.180/0.100	4.572/2.540	40.1/37.9	550
FAA1-12038Q * L ** 31-A	230	50/60	0.06/0.05	9.80/9.40	2400/2200	2.150/2.020	76.0/71.5	0.180/0.100	4.572/2.540	40.1/37.9	550
FAA1-12038N * A ** 31-A	115	50/60	0.08/0.08	7.00/6.60	2300/1700	1.980/1.520	70.0/53.5	0.130/0.060	3.302/1.524	39.2/30.5	550
FAA1-12038Q * A ** 31-A	230	50/60	0.04/0.04	8.10/7.70	2300/1700	1.980/1.520	70.0/53.5	0.130/0.060	3.302/1.524	39.2/30.5	550

* Indicates "B" (Ball Bearing), "S" (Sleeve Bearing), or "H" (Hydro Dynamic)
 ** Indicates "W" (Wire Leads) or "T" (Terminal)

Noise is measured at the distance of one (1) meter from the axis of intake.





Features:

- Motor: External Rotor Capacitor-Run Induction Motor
- Motor Protection: Thermal Protected
- Bearing Type: Two Ball
- Connection: UL 1015 AWG 22, 300mm Wire Leads or Terminal
- Frame Material: Aluminum Alloy
- Impeller Material: Plastic UL94V-0, or Steel
- **IP54 Certified**
- Operating Temp:
Two Ball: -20°C~70°C
- Life Expectancy:
Two Ball: 50,000 Hours
Two Ball: 100,000 Hours (-L)



Fan-S Division



Model No.	Volt.	Freq.	Current	Power	Rated Speed	Maximum AirFlow		Maximum Static Pressure		Noise Level	Weight
	(VAC)	(Hz)	(A)	(W)	(rpm)	(CMM)	(CFM)	(InAq)	(mmAq)	(dB/A)	(g)
FDA2-17238NBH ** F#	115	50/60	0.25/0.21	27.0/25.0	2700/3100	5.95/6.80	210/240	0.531/0.571	13.5/14.5	53.0/59.0	820
FDA2-17238QBH ** F#	230	50/60	0.11/0.12	26.0/27.0	2700/3100	5.95/6.80	210/240	0.531/0.571	13.5/14.5	53.0/59.0	820

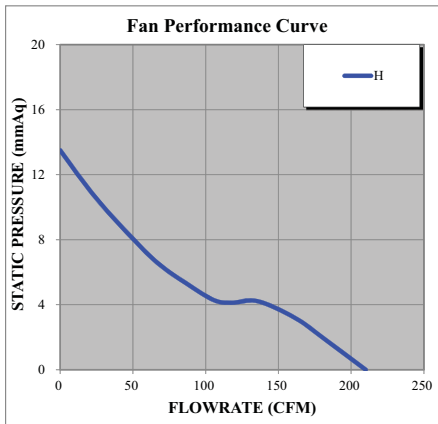
* Indicates "W" (Wire Leads) or "T" (Terminal)

Noise is measured at the distance of one (1) meter from the axis of intake.

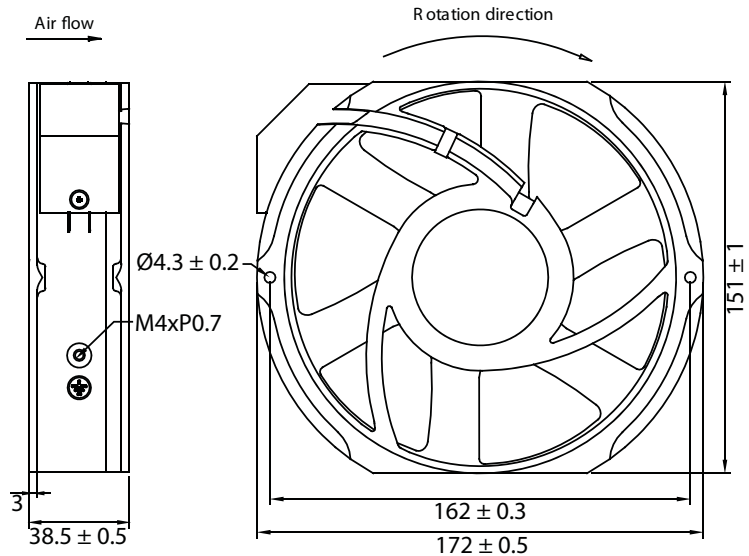
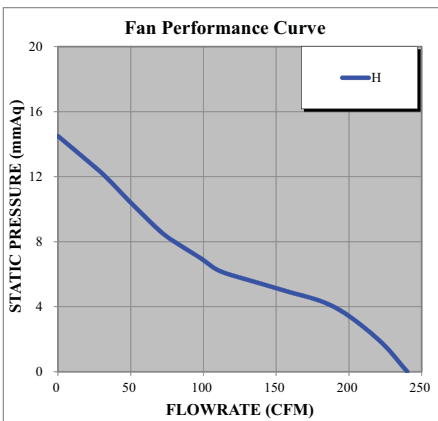
** Indicates "3" (Metal Frame, Plastic Impeller) or "4" (Metal Frame and Impeller)

Indicates "-L" (100,000 Hours Life Expectancy) or Leave Blank (50,000 Hours Life Expectancy)

50Hz



60Hz





Features:

- Motor: Shaded Pole Induction Motor
- Motor Protection: Thermal Protected
- Bearing Type: Two Ball
- Connection: UL 1430 AWG 22, 300mm Wire Leads or Terminal
- Frame Material: Aluminum Alloy
- Impeller Material: Plastic UL94V-0
- Operating Temp:
Two Ball: -10°C~70°C
- Life Expectancy:
Two Ball: 50,000 Hours



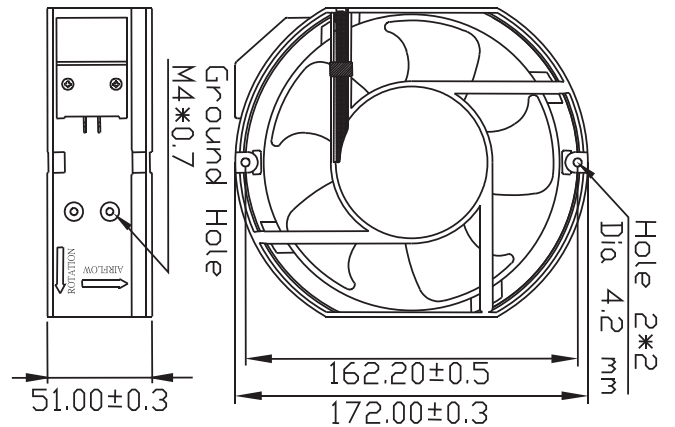
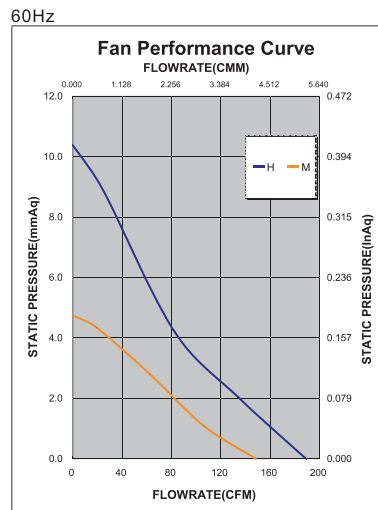
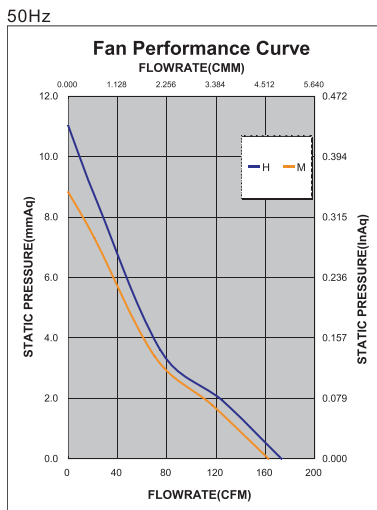
Fan-S Division



Model No.	Volt.	Freq.	Current	Power	Rated Speed	Maximum AirFlow		Maximum Static Pressure		Noise Level	Weight
	(VAC)	(Hz)	(A)	(W)	(rpm)	(CMM)	(CFM)	(InAq)	(mmAq)	(dB/A)	(g)
FKA1-17251NBH** 31	115	50/60	0.55/0.46	62.10/51.80	2600/2700	4.867/5.348	172/189	0.433/0.408	10.998/10.363	55.5/57.7	1050
FKA1-17251QBH** 31	230	50/60	0.27/0.23	59.80/50.60	2600/2700	4.867/5.348	172/189	0.433/0.408	10.998/10.363	55.5/57.7	1050
FKA1-17251NBM** 31	115	50/60	0.33/0.31	36.80/34.50	2400/2300	4.528/3.962	160/140	0.340/0.180	8.636/4.572	53.0/50.3	1050
FKA1-17251QBM** 31	230	50/60	0.17/0.17	36.80/36.80	2400/2300	4.528/3.962	160/140	0.340/0.180	8.636/4.572	53.0/50.3	1050

** Indicates "W" (Wire Leads) or "T" (Terminal)

Noise is measured at the distance of one (1) meter from the axis of intake.





Features:

- Motor: Capacitor-Run Induction Motor
- Motor Protection: Thermal Protected
- Bearing Type: Two Ball
- Connection: UL 1015 AWG 20, 300mm Wire Leads or Terminal
- Frame Material: Aluminum Alloy
- Impeller Material: Plastic UL94V-0
- Operating Temp:
Two Ball: -10°C~70°C
- Life Expectancy:
Two Ball: 50,000 Hours



Fan-S Division

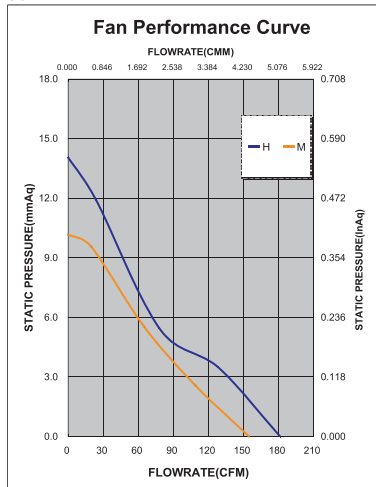


Model No.	Volt.	Freq.	Current	Power	Rated Speed	Maximum AirFlow		Maximum Static Pressure		Noise Level	Weight
	(VAC)	(Hz)	(A)	(W)	(rpm)	(CMM)	(CFM)	(InAq)	(mmAq)	(dB/A)	(g)
FKA2-17251NBH ** 3F	115	50/60	0.25/0.24	27.60/26.50	2700/3100	5.094/5.943	180/210	0.533/0.700	13.538/17.780	63.0/65.0	1050
FKA2-17251QBH ** 3F	230	50/60	0.11/0.13	23.00/27.60	2700/3100	5.094/5.943	180/210	0.533/0.700	13.538/17.780	63.0/65.0	1050
FKA2-17251NBM ** 3F	115	50/60	0.15/0.19	16.10/20.70	2500/2500	4.386/4.386	155/155	0.400/0.400	10.160/10.160	56.6/56.6	1050
FKA2-17251QBM ** 3F	230	50/60	0.08/0.10	16.10/20.70	2500/2500	4.386/4.386	155/155	0.400/0.400	10.160/10.160	56.6/56.6	1050

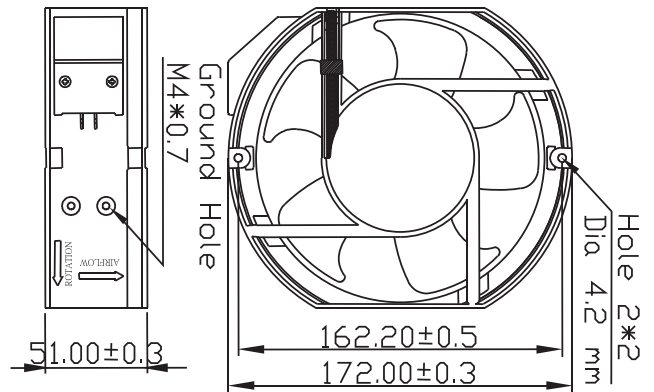
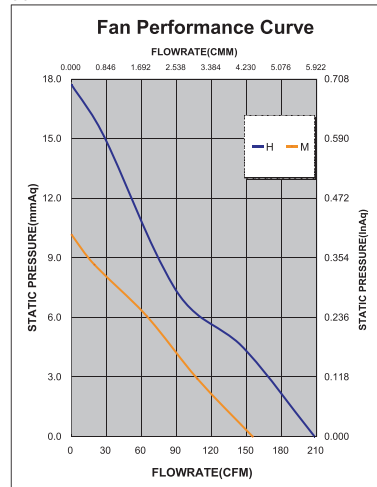
** Indicates "W" (Wire Leads) or "T" (Terminal)

Noise is measured at the distance of one (1) meter from the axis of intake.

50Hz



60Hz





Features:

- Motor: External Rotor Capacitor-Run Induction Motor
- Motor Protection: Thermal Protected
- Bearing Type: Two Ball
- Connection: UL 1015 AWG 22, 300mm Wire Leads or Terminal
- Frame Material: Aluminum Alloy
- Impeller Material: Plastic UL94V-0, or Steel
- **IP54 Certified**
- Operating Temp:
 - Two Ball: -20°C~70°C
- Life Expectancy:
 - Two Ball: 50,000 Hours
 - Two Ball: 100,000 Hours (-L)



Fan-S Division



Model No.	Volt.	Freq.	Current	Power	Rated Speed	Maximum AirFlow		Maximum Static Pressure		Noise Level	Weight
	(VAC)	(Hz)	(A)	(W)	(rpm)	(CMM)	(CFM)	(InAq)	(mmAq)	(dB/A)	(g)
FDA2-17251NBK * 3F #	115	50/60	0.22/0.24	24.0/27.0	2800/3300	6.51/7.78	230/275	0.649/0.768	16.5/19.5	54.0/60.0	890
FDA2-17251QBK * 3F #	230	50/60	0.11/0.12	24.0/27.0	2800/3300	6.51/7.78	230/275	0.649/0.768	16.5/19.5	54.0/60.0	890
FDA2-17251NBH ** F #	115	50/60	0.25/0.21	27.0/25.0	2700/3100	5.95/7.08	210/250	0.551/0.610	14.0/15.5	53.0/59.0	940
FDA2-17251QBH ** F #	230	50/60	0.11/0.12	26.0/27.0	2700/3100	5.95/7.08	210/250	0.551/0.610	14.0/15.5	53.0/59.0	940

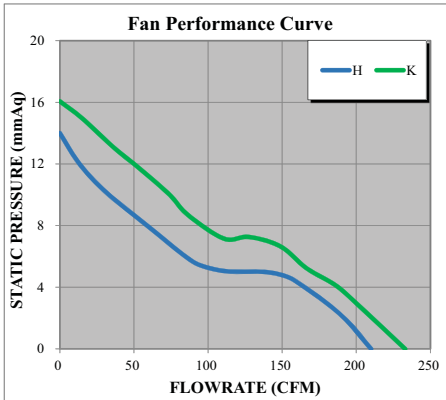
* Indicates "W" (Wire Leads) or "T" (Terminal)

Noise is measured at the distance of one (1) meter from the axis of intake.

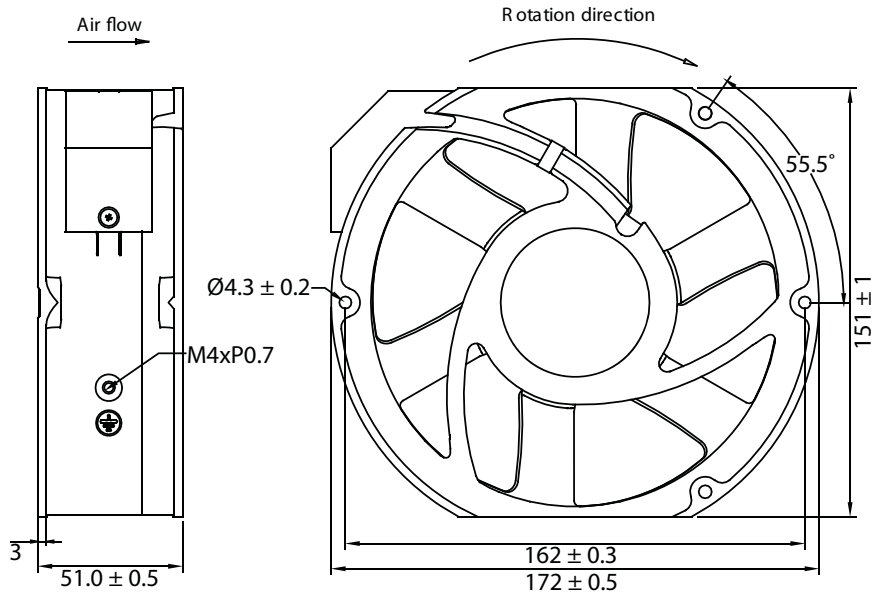
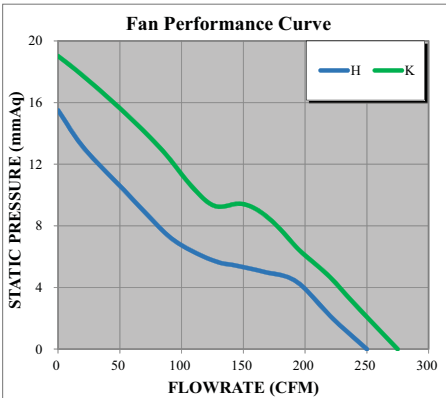
** Indicates "3" (Metal Frame, Plastic Impeller) or "4" (Metal Frame and Impeller)

Indicates "-L" (100,000 Hours Life Expectancy) or Leave Blank (50,000 Hours Life Expectancy)

50Hz



60Hz





Features:

- Motor: External Rotor Capacitor-Run Induction Motor
- Motor Protection: Thermal Protected
- Bearing Type: Two Ball
- Connection: UL 1015 AWG 22, 300mm Wire Leads or Terminal
- Frame Material: Aluminum Alloy
- Impeller Material: Plastic UL94V-0, or Steel
- **IP54 Certified**
- Operating Temp:
Two Ball: -20°C~70°C
- Life Expectancy:
Two Ball: 50,000 Hours
Two Ball: 100,000 Hours (-L)



Fan-S Division



Model No.	Volt.	Freq.	Current	Power	Rated Speed	Maximum AirFlow		Maximum Static Pressure		Noise Level	Weight
	(VAC)	(Hz)	(A)	(W)	(rpm)	(CMM)	(CFM)	(InAq)	(mmAq)	(dB/A)	(g)
FDA2-R17251NBK * ** F #	115	50/60	0.27/0.23	26.0/26.0	2800/3300	6.51/7.65	230/270	0.649/0.787	16.5/20.0	55.0/61.0	1080
FDA2-R17251QBK * ** F #	230	50/60	0.10/0.11	23.0/26.0	2800/3300	6.51/7.65	230/270	0.649/0.787	16.5/20.0	55.0/61.0	1080

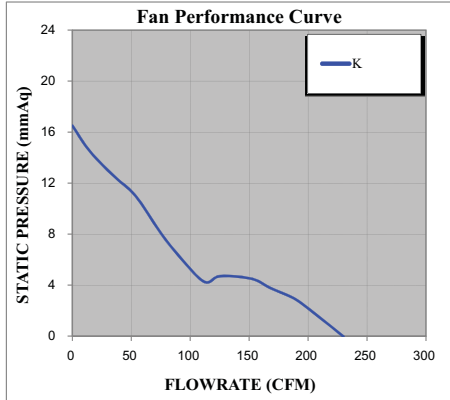
* Indicates "W" (Wire Leads) or "T" (Terminal)

** Indicates "3" (Metal Frame, Plastic Impeller) or "4" (Metal Frame and Impeller)

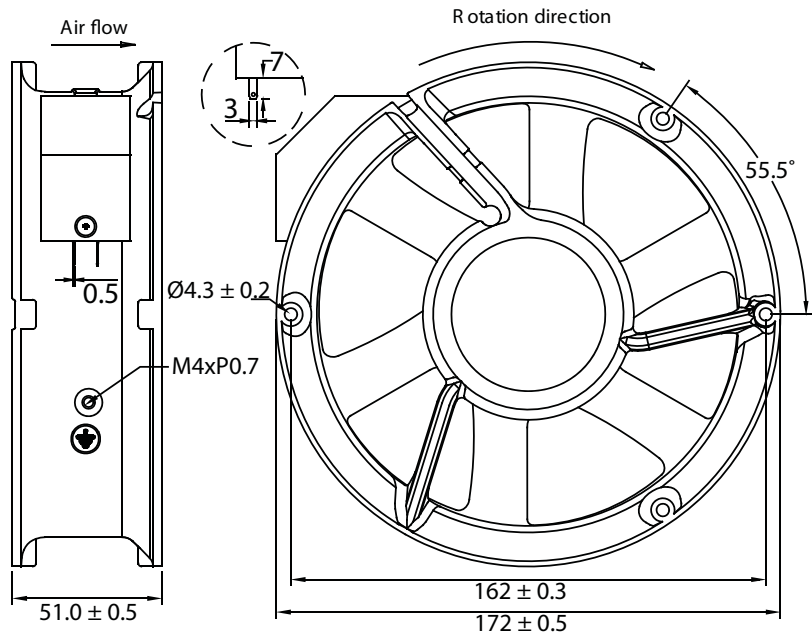
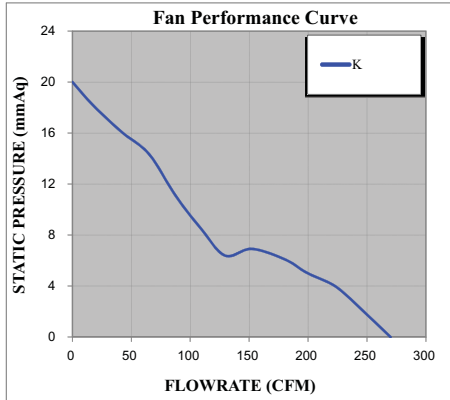
Indicates "-L" (100,000 Hours Life Expectancy) or Leave Blank (50,000 Hours Life Expectancy)

Noise is measured at the distance of one (1) meter from the axis of intake.

50Hz



60Hz





Features:

- Motor: External Rotor Capacitor-Run Induction Motor
- Motor Protection: Thermal Protected
- Bearing Type: Two Ball
- Connection: UL 1015 AWG 22, 360mm Wire Leads or Terminal
- Frame Material: Aluminum Alloy
- Impeller Material: Plastic UL94V-0, or Steel
- **IP54 Certified**
- Operating Temp:
Two Ball: -20°C~70°C
- Life Expectancy:
Two Ball: 50,000 Hours
Two Ball: 100,000 Hours (-L)



Fan-S Division



Model No.	Volt.	Freq.	Current	Power	Rated Speed	Maximum AirFlow		Maximum Static Pressure		Noise Level	Weight
	(VAC)	(Hz)	(A)	(W)	(rpm)	(CMM)	(CFM)	(InAq)	(mmAq)	(dB/A)	(g)
FDA2-17255NBH ** F #	115	50/60	0.25/0.21	27.0/25.0	2700/3100	5.95/6.80	210/240	0.492/0.531	12.5/13.5	57.0/61.0	840
FDA2-17255QBH ** F #	230	50/60	0.11/0.12	26.0/27.0	2700/3100	5.95/6.80	210/240	0.492/0.531	12.5/13.5	57.0/61.0	840

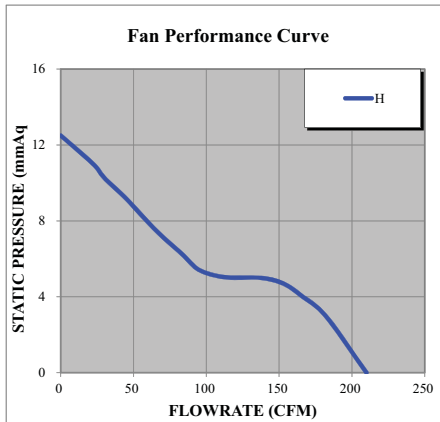
* Indicates "W" (Wire Leads) or "T" (Terminal)

Noise is measured at the distance of one (1) meter from the axis of intake.

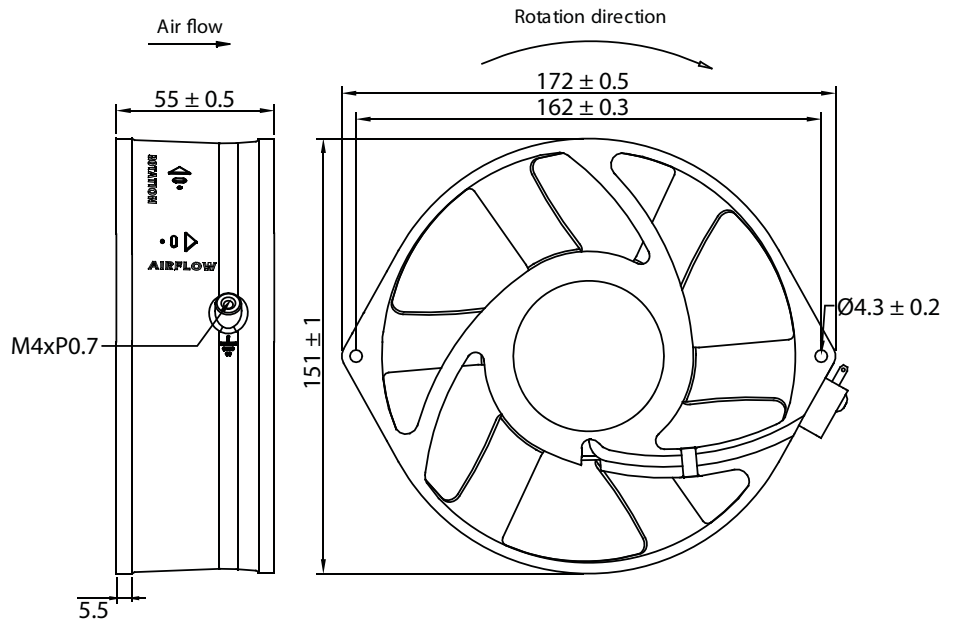
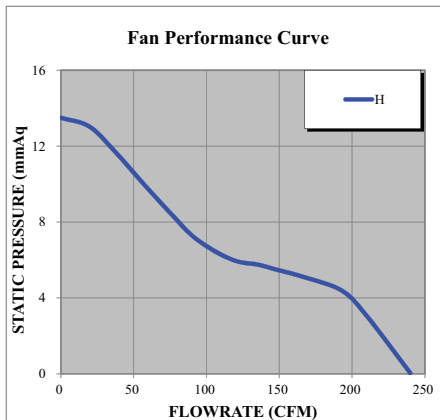
** Indicates "3" (Metal Frame, Plastic Impeller) or "4" (Metal Frame and Impeller)

Indicates "-L" (100,000 Hours Life Expectancy) or Leave Blank (50,000 Hours Life Expectancy)

50Hz



60Hz





Features:

- Motor: Capacitor-Run Induction Motor
- Motor Protection: Thermal Protected
- Bearing Type: Two Ball
- Connection: UL 1015 AWG 20, 300mm Wire Leads or Terminal
- Frame Material: Aluminum Alloy
- Impeller Material: Plastic UL94V-0
- Operating Temp:
Two Ball: -10°C~70°C
- Life Expectancy:
Two Ball: 50,000 Hours



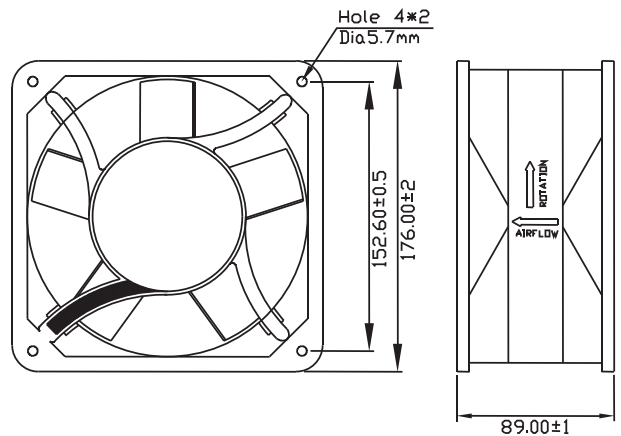
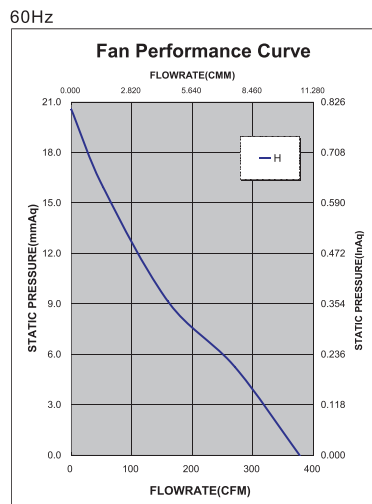
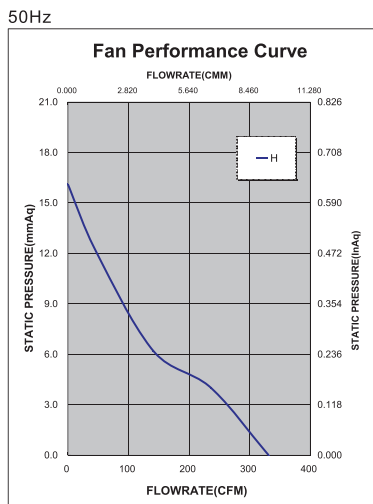
Fan-S Division



Model No.	Volt.	Freq.	Current	Power	Rated Speed	Maximum AirFlow		Maximum Static Pressure		Noise Level	Weight
	(VAC)	(Hz)	(A)	(W)	(rpm)	(CMM)	(CFM)	(InAq)	(mmAq)	(dB/A)	(g)
FKA2-17689NBH ** 3F	115	50/60	0.57/0.48	64.40/52.00	2800/3200	9.339/10.754	330/380	0.640/0.810	16.256/20.574	66.4/70.0	1800
FKA2-17689QBH ** 3F	230	50/60	0.21/0.23	40.90/49.50	2800/3200	9.339/10.754	330/380	0.640/0.810	16.256/20.574	66.4/70.0	1800

** Indicates "W" (Wire Leads) or "T" (Terminal)

Noise is measured at the distance of one (1) meter from the axis of intake.





Features:

- Motor: Capacitor-Run Induction Motor
- Motor Protection: Thermal Protected
- Bearing Type: Two Ball
- Connection: UL 1015 AWG 20, 300mm Wire Leads or Terminal
- Frame Material: Aluminum Alloy
- Impeller Material: Plastic UL94V-0
- Operating Temp:
Two Ball: -10°C~70°C
- Life Expectancy:
Two Ball: 50,000 Hours



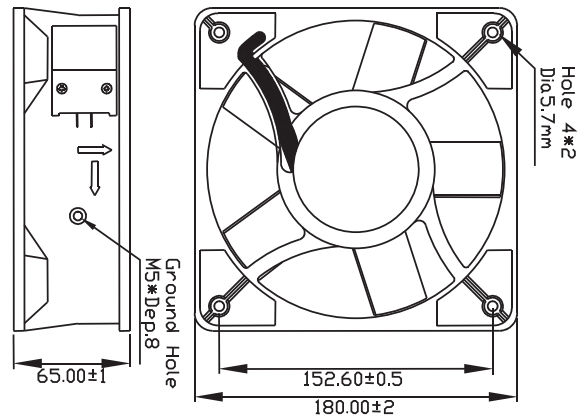
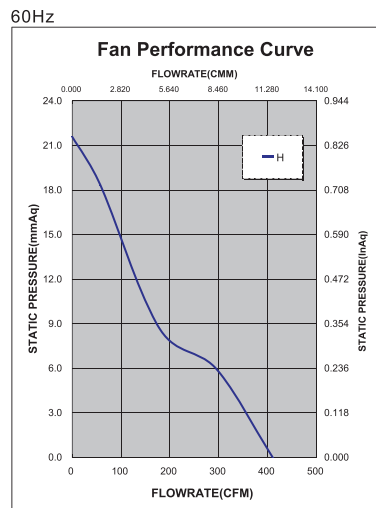
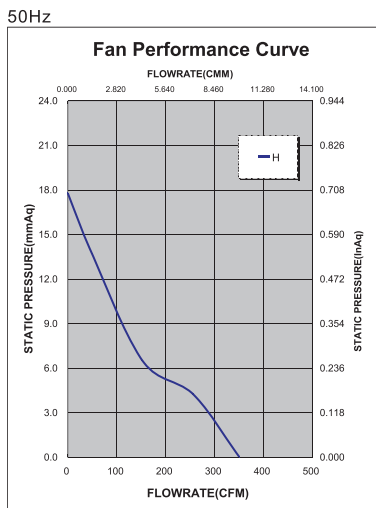
Fan-S Division



Model No.	Volt.	Freq.	Current	Power	Rated Speed	Maximum AirFlow		Maximum Static Pressure		Noise Level	Weight
	(VAC)	(Hz)	(A)	(W)	(rpm)	(CMM)	(CFM)	(InAq)	(mmAq)	(dB/A)	(g)
FKA2-18065NBH** 3F	115	50/60	0.53/0.50	59.80/55.20	2800/3200	9.905/11.603	350/410	0.700/0.850	17.780/21.590	70.0/72.0	1800
FKA2-18065QBH** 3F	230	50/60	0.23/0.24	46.50/51.10	2800/3200	9.905/11.603	350/410	0.700/0.850	17.780/21.590	70.0/72.0	1800

** Indicates "W" (Wire Leads) or "T" (Terminal)

Noise is measured at the distance of one (1) meter from the axis of intake.





Features:

- Motor: Capacitor-Run Induction Motor
- Motor Protection: Thermal Protected
- Bearing Type: Two Ball
- Connection: UL 1015 AWG 20, 300mm Wire Leads or Terminal
- Frame Material: Aluminum Alloy
- Impeller Material: Plastic UL94V-0
- Operating Temp:
Two Ball: -10°C~70°C
- Life Expectancy:
Two Ball: 50,000 Hours



Fan-S Division

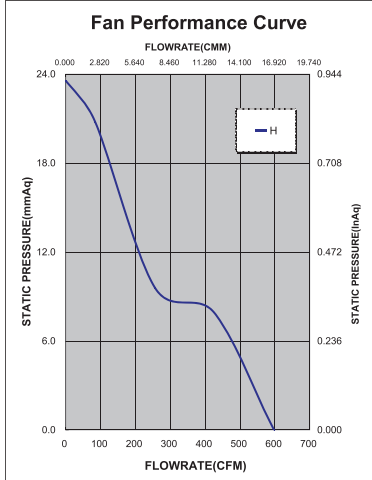


Model No.	Volt.	Freq.	Current	Power	Rated Speed	Maximum AirFlow		Maximum Static Pressure		Noise Level	Weight
	(VAC)	(Hz)	(A)	(W)	(rpm)	(CMM)	(CFM)	(InAq)	(mmAq)	(dB/A)	(g)
FKA2-20572NBH** 3F	115	50/60	0.60/0.88	67.90/100.0	2800/3200	16.98/18.819	600/665	0.930/0.500	23.622/12.700	72.0/75.4	2100
FKA2-20572QBH** 3F	230	50/60	0.32/0.47	63.20/95.20	2800/3200	16.98/18.819	600/665	0.930/0.500	23.622/12.700	72.0/75.4	2100

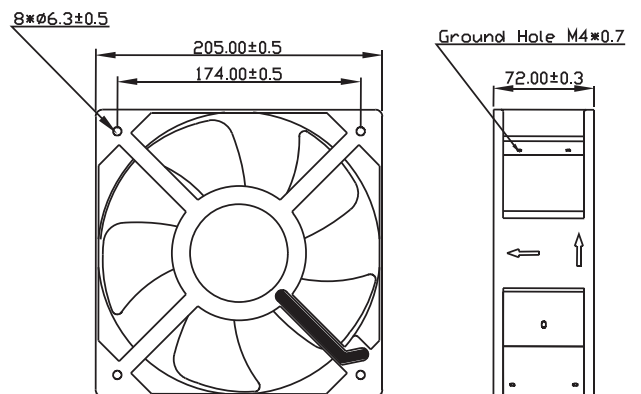
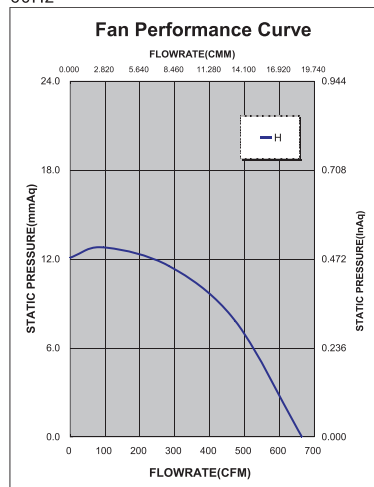
** Indicates "W" (Wire Leads) or "T" (Terminal)

Noise is measured at the distance of one (1) meter from the axis of intake.

50Hz



60Hz





Features:

- Motor: External Rotor Capacitor-Run Induction Motor
- Motor Protection: Thermal Protected
- Bearing Type: Two Ball
- Connection: Terminal Block
- Frame Material: Aluminum Alloy
- Impeller Material: Steel
- **IP54 Certified**
- Operating Temp:
Two Ball: -20°C~70°C
- Life Expectancy:
Two Ball: 50,000 Hours
Two Ball: 100,000 Hours (-L)



Fan-S Division

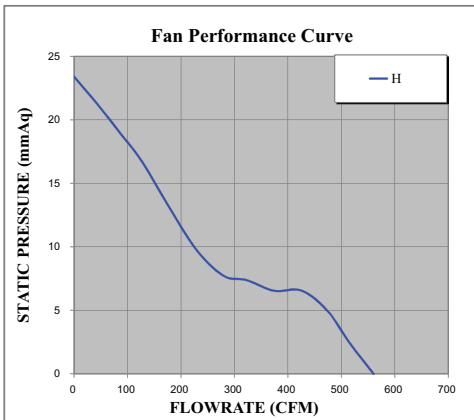


Model No.	Volt.	Freq.	Current	Power	Rated Speed	Maximum AirFlow		Maximum Static Pressure		Noise Level	Weight
	(VAC)	(Hz)	(A)	(W)	(rpm)	(CMM)	(CFM)	(InAq)	(mmAq)	(dB/A)	(g)
FDA2-22580NBHK4F #	115	50/60	0.61/0.62	53.0/68.0	2800/3200	16.4/19.0	580/670	0.925/0.807	23.5/20.5	68.0/71.0	2750
FDA2-22580QBHK4F #	230	50/60	0.26/0.31	53.0/68.0	2800/3200	16.4/19.0	580/670	0.925/0.807	23.5/20.5	68.0/71.0	2750

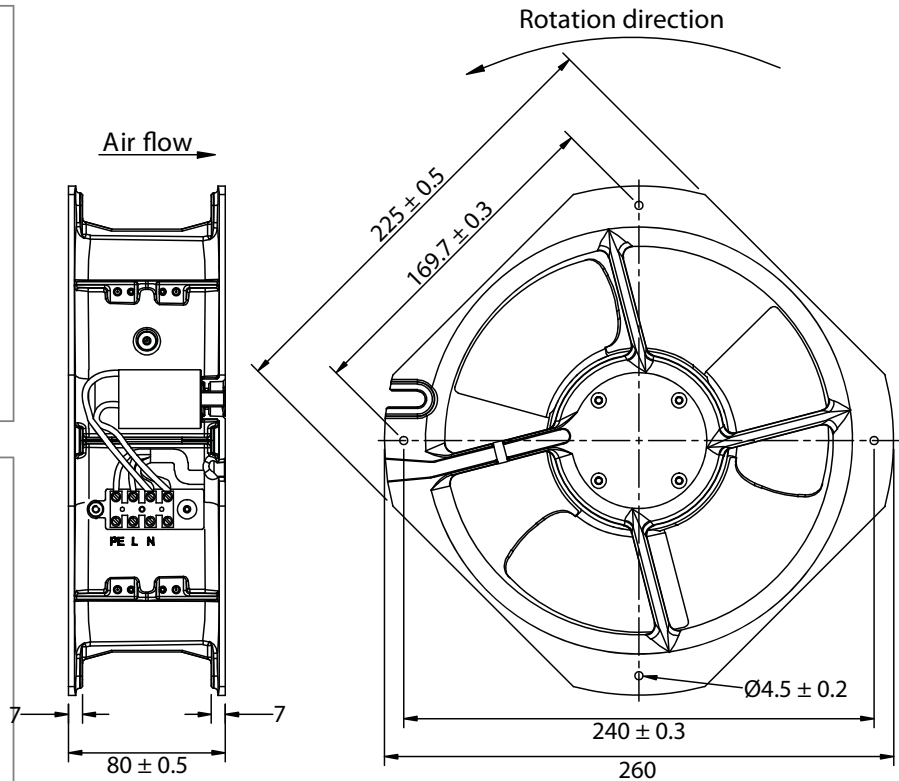
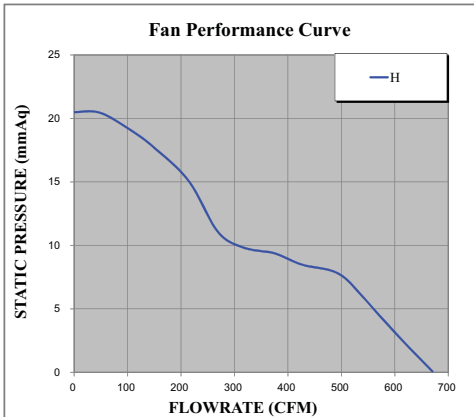
Indicates "-L" (100,000 Hours Life Expectancy) or Leave Blank (50,000 Hours Life Expectancy)

Noise is measured at the distance of one (1) meter from the axis of intake.

50Hz



60Hz





Features:

- Motor: Capacitor-Run Induction Motor
- Motor Protection: Thermal Protected
- Bearing Type: Two Ball
- Connection: UL 1015 AWG 20, 300mm Wire Leads or Terminal
- Frame Material: Aluminum Alloy
- Impeller Material: Plastic UL94V-0
- Operating Temp:
Two Ball: -10°C~70°C
- Life Expectancy:
Two Ball: 50,000 Hours



Fan-S Division

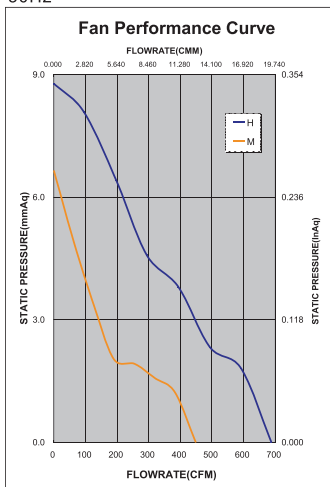


Model No.	Volt.	Freq.	Current	Power	Rated Speed	Maximum AirFlow		Maximum Static Pressure		Noise Level	Weight
	(VAC)	(Hz)	(A)	(W)	(rpm)	(CMM)	(CFM)	(InAq)	(mmAq)	(dB/A)	(g)
FKA2-25489NBH** 3F	115	50/60	0.55/0.62	56.00/67.80	2100/2000	19.244/17.829	680/630	0.346/0.276	8.788/7.010	66.0/62.0	2000
FKA2-25489QBH** 3F	230	50/60	0.26/0.30	55.40/62.80	2100/2000	19.244/17.829	680/630	0.346/0.276	8.788/7.010	66.0/62.0	2000
FKA2-25489NBM** 3F	115	50/60	0.22/0.24	24.20/26.50	1350/1600	12.735/14.999	450/530	0.262/0.322	6.650/8.190	55.6/57.0	2000
FKA2-25489QBM** 3F	230	50/60	0.16/0.14	32.20/28.80	1350/1600	12.735/14.999	450/530	0.262/0.322	6.650/8.190	55.6/57.0	2000

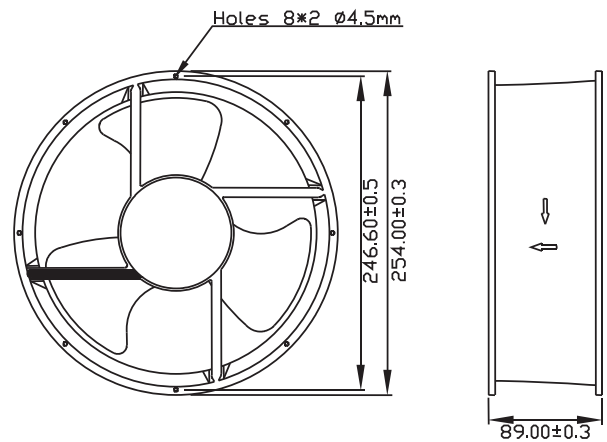
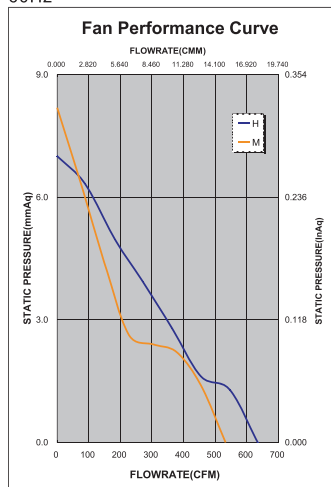
** Indicates "W" (Wire Leads) or "T" (Terminal)

Noise is measured at the distance of one (1) meter from the axis of intake.

50Hz



60Hz





Features:

- Motor: External Rotor Capacitor-Run Induction Motor
- Motor Protection: Thermal Protected
- Bearing Type: Two Ball
- Connection: UL 1015 AWG 22, 300mm Wire Leads or Terminal
- Frame Material: Aluminum Alloy
- Impeller Material: Steel
- **IP54 Certified**
- Operating Temp:
Two Ball: -20°C~70°C
- Life Expectancy:
Two Ball: 50,000 Hours
Two Ball: 100,000 Hours (-L)



Fan-S Division



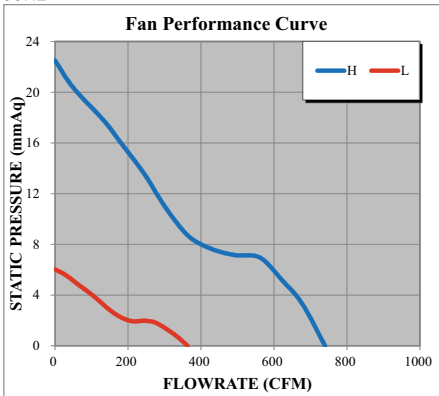
Model No.	Volt.	Freq.	Current	Power	Rated Speed	Maximum AirFlow		Maximum Static Pressure		Noise Level	Weight
	(VAC)	(Hz)	(A)	(W)	(rpm)	(CMM)	(CFM)	(InAq)	(mmAq)	(dB/A)	(g)
FDA2-25489NBH * 4F #	115	50/60	0.58/0.88	66.0/97.0	2800/3200	20.94/24.34	740/860	0.886/0.846	22.5/21.5	66.0/68.0	2750
FDA2-25489QBH * 4F #	230	50/60	0.28/0.42	64.0/92.0	2800/3200	20.94/24.34	740/860	0.886/0.846	22.5/21.5	66.0/68.0	2750
FDA2-25489NBL * 4F #	115	50/60	0.34/0.28	30.0/29.0	1400/1650	9.54/12.45	337/440	0.240/0.307	6.1/7.8	50.0/52.0	2750
FDA2-25489QBL * 4F #	230	50/60	0.17/0.14	32.0/32.0	1400/1650	9.54/12.45	337/440	0.240/0.307	6.1/7.8	50.0/52.0	2750

* Indicates "W" (Wire Leads) or "T" (Terminal)

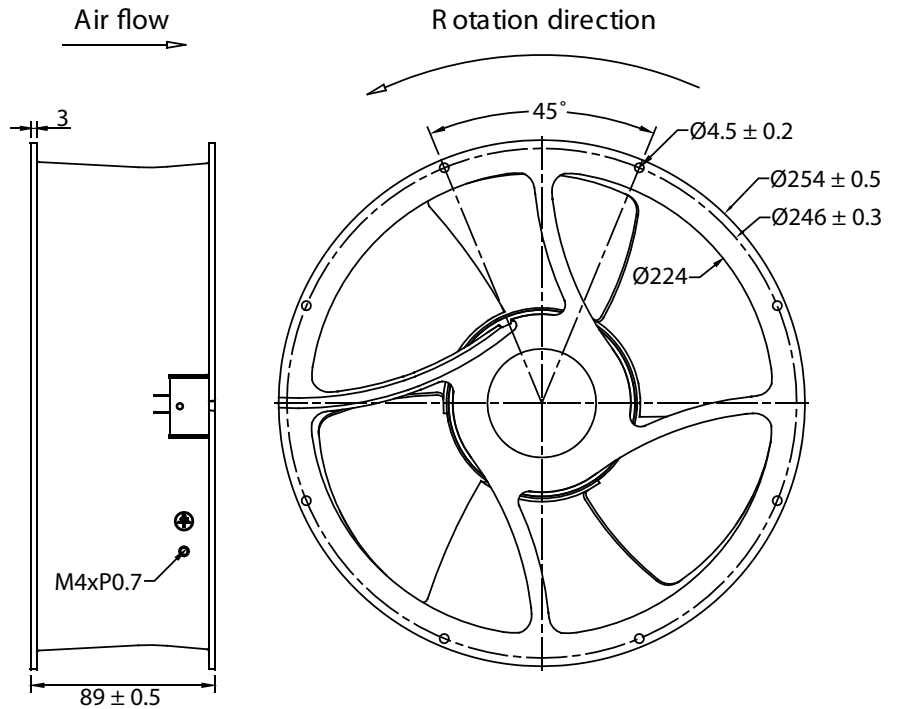
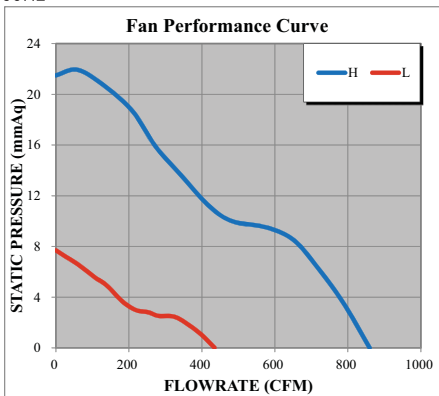
Indicates "-L" (100,000 Hours Life Expectancy) or Leave Blank (50,000 Hours Life Expectancy)

Noise is measured at the distance of one (1) meter from the axis of intake.

50Hz



60Hz





Features:

- Motor: External Rotor Capacitor-Run Induction Motor
- Motor Protection: Thermal Protected
- Bearing Type: Two Ball
- Connection: Terminal Block
- Frame Material: Aluminum Alloy
- Impeller Material: Steel
- **IP54 Certified**
- Operating Temp:
Two Ball: -20°C~70°C
- Life Expectancy:
Two Ball: 50,000 Hours
Two Ball: 100,000 Hours (-L)



Fan-S Division

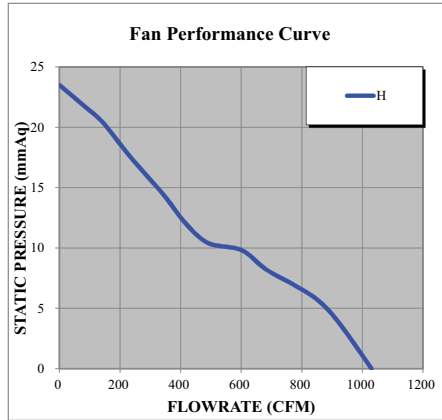


Model No.	Volt.	Freq.	Current	Power	Rated Speed	Maximum AirFlow		Maximum Static Pressure		Noise Level	Weight
	(VAC)	(Hz)	(A)	(W)	(rpm)	(CMM)	(CFM)	(InAq)	(mmAq)	(dB/A)	(g)
FDA2-28080NBHK4F #	115	50/60	0.81/1.20	94.0/136.0	2650/2900	29.15/32.55	1030/1150	0.925/0.807	23.5/20.5	70.0/73.0	3050
FDA2-28080QBHK4F #	230	50/60	0.43/0.63	95.0/138.0	2650/2900	29.15/32.55	1030/1150	0.925/0.807	23.5/20.5	70.0/73.0	3050

Indicates "L" (100,000 Hours Life Expectancy) or Leave Blank (50,000 Hours Life Expectancy)

Noise is measured at the distance of one (1) meter from the axis of intake.

50Hz



60Hz

