



Chipsmall Limited consists of a professional team with an average of over 10 year of expertise in the distribution of electronic components. Based in Hongkong, we have already established firm and mutual-benefit business relationships with customers from,Europe,America and south Asia,supplying obsolete and hard-to-find components to meet their specific needs.

With the principle of “Quality Parts,Customers Priority,Honest Operation,and Considerate Service”,our business mainly focus on the distribution of electronic components. Line cards we deal with include Microchip,ALPS,ROHM,Xilinx,Pulse,ON,Everlight and Freescale. Main products comprise IC,Modules,Potentiometer,IC Socket,Relay,Connector.Our parts cover such applications as commercial,industrial, and automotives areas.

We are looking forward to setting up business relationship with you and hope to provide you with the best service and solution. Let us make a better world for our industry!



## Contact us

Tel: +86-755-8981 8866 Fax: +86-755-8427 6832

Email & Skype: info@chipsmall.com Web: www.chipsmall.com

Address: A1208, Overseas Decoration Building, #122 Zhenhua RD., Futian, Shenzhen, China



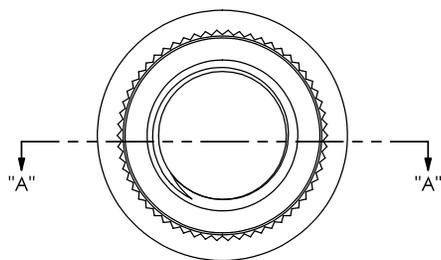
**DESIGNED AND DIMENSIONED  
IN MILLIMETERS UNLESS OTHERWISE STATED**

QSPR-XX

STYLE

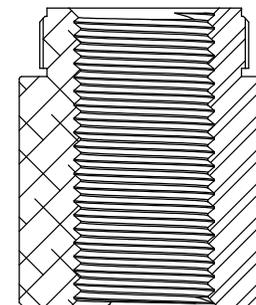
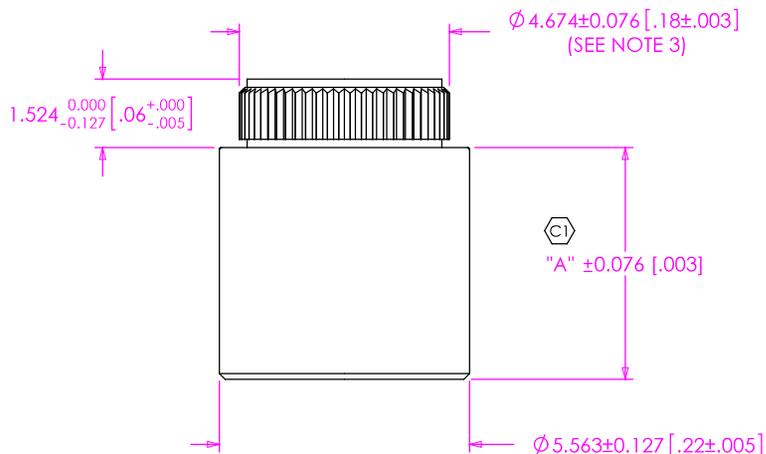
- 01: BOARD TO BOARD (SHEET 2, FIG. 2)
- 02: BOARD TO HFEM2 FLEX (SHEET 2, FIG. 3)
- 03: BOARD TO HFEM FLEX (SHEET 2, FIG. 3)

DO NOT  
SCALE FROM  
THIS PRINT



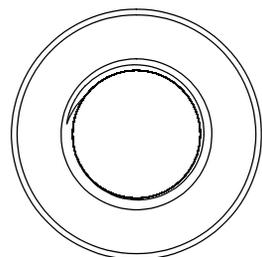
**FIG. 1**

TABLE 1	
STYLE	"A"
-01	5.150 [.2028]
-02	5.410 [.2130]
-03	5.612 [.2209]



THREAD, 4-40 UNC-2B

**SECTION "A"- "A"**



NOTES:

1. REPRESENTS A CRITICAL DIMENSION.
2. STANDOFF MUST ACCEPT A #4-40 THREADED STUD.
3. STANDOFFS TO BE USED WITH .062" THICK BOARDS.  
RECOMMENDED NON-PLATED HOLE SIZE IN PC BOARD: 4.52[.178]
4. PARTS TO BE PACKAGED IN BAGS.
5. RECOMMENDED INSERTION FORCE OF 400LBS.

**B**

UNLESS OTHERWISE SPECIFIED,  
DIMENSIONS ARE IN MILLIMETERS.  
TOLERANCES ARE:  
DECIMALS ANGLES  
.XX:  $\pm .3$  [.01] 2°  
.XXX:  $\pm .08$  [.003]  
.XXXX:  $\pm .038$  [.0015]

**PROPRIETARY NOTE**  
THIS DOCUMENT CONTAINS INFORMATION  
CONFIDENTIAL AND PROPRIETARY TO  
SAMTEC, INC. AND SHALL NOT BE REPRODUCED  
OR TRANSFERRED TO OTHER DOCUMENTS OR  
DISCLOSED TO OTHERS OR USED FOR ANY  
PURPOSE OTHER THAN THAT WHICH IT WAS  
OBTAINED WITHOUT THE EXPRESSED WRITTEN  
CONSENT OF SAMTEC, INC.

**SAMTEC**

520 PARK EAST BLVD, NEW ALBANY, IN 47150  
\* PHONE: 812.944.6733 FAX: 812.948.5047  
e-Mail: [INFO@SAMTEC.COM](mailto:INFO@SAMTEC.COM) CODE: 55322

**MATERIAL:** BRASS DO NOT SCALE DRAWING

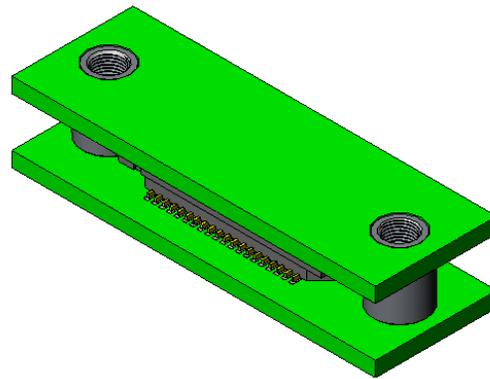


SHEET SCALE: 1:0.1666

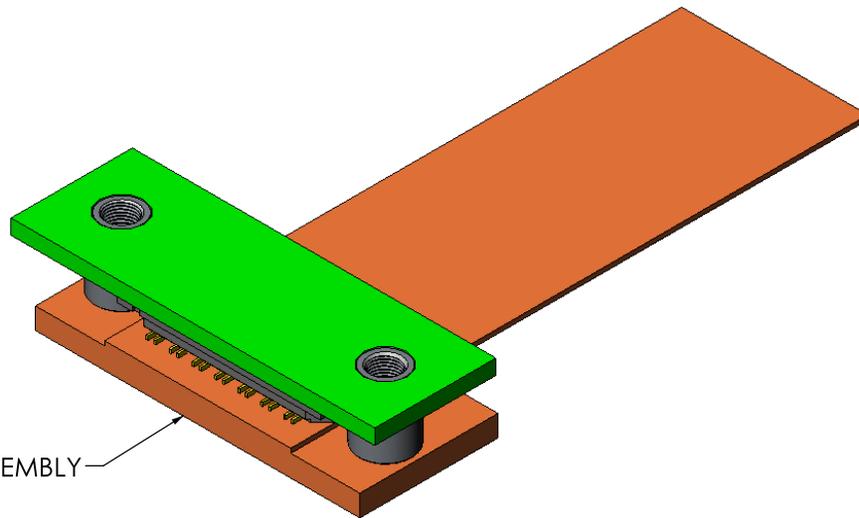
DESCRIPTION: QXX SERIES STANDOFF

DWG. NO. QSPR-XX

BY: CLAY W 10/17/2005 SHEET 1 OF 2



**FIG. 2**  
**-01: BOARD TO BOARD**



HFEM/HFEM2 ASSEMBLY

**FIG. 3**  
**-02/-03: BOARD TO FLEX**

**PROPRIETARY NOTE**  
THIS DOCUMENT CONTAINS INFORMATION CONFIDENTIAL AND PROPRIETARY TO SAMTEC, INC. AND SHALL NOT BE REPRODUCED OR TRANSFERRED TO OTHER DOCUMENTS OR DISCLOSED TO OTHERS OR USED FOR ANY PURPOSE OTHER THAN THAT WHICH IT WAS OBTAINED WITHOUT THE EXPRESSED WRITTEN CONSENT OF SAMTEC, INC.

DO NOT SCALE DRAWING

SHEET SCALE: 1:0.555556

**SAMTEC**

520 PARK EAST BLVD, NEW ALBANY, IN 47150  
\* PHONE: 812.944.6733 FAX: 812.948.5047  
e-Mail: [INFO@SAMTEC.COM](mailto:INFO@SAMTEC.COM) CODE: 55322

DESCRIPTION: QXX SERIES STANDOFF

DWG. NO. QSPR-XX

BY: CLAY W 10/17/2005 SHEET 2 OF 2