



Chipsmall Limited consists of a professional team with an average of over 10 year of expertise in the distribution of electronic components. Based in Hongkong, we have already established firm and mutual-benefit business relationships with customers from,Europe,America and south Asia,supplying obsolete and hard-to-find components to meet their specific needs.

With the principle of “Quality Parts,Customers Priority,Honest Operation,and Considerate Service”,our business mainly focus on the distribution of electronic components. Line cards we deal with include Microchip,ALPS,ROHM,Xilinx,Pulse,ON,Everlight and Freescale. Main products comprise IC,Modules,Potentiometer,IC Socket,Relay,Connector.Our parts cover such applications as commercial,industrial, and automotives areas.

We are looking forward to setting up business relationship with you and hope to provide you with the best service and solution. Let us make a better world for our industry!



Contact us

Tel: +86-755-8981 8866 Fax: +86-755-8427 6832

Email & Skype: info@chipsmall.com Web: www.chipsmall.com

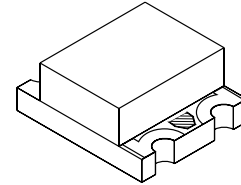
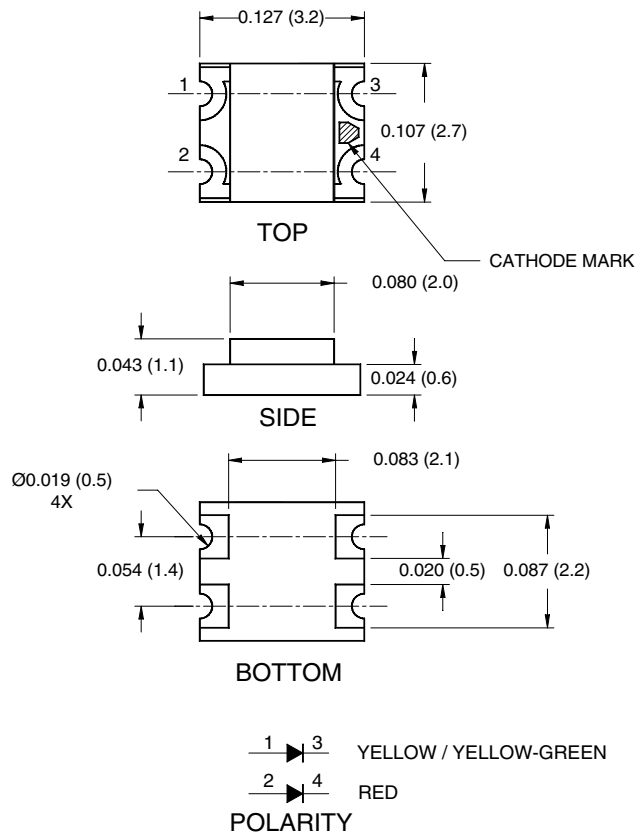
Address: A1208, Overseas Decoration Building, #122 Zhenhua RD., Futian, Shenzhen, China



QTLP650C-RY Red/Yellow

QTLP650C-RAG Red/Yellow-Green

PACKAGE DIMENSIONS



NOTE:

Dimensions for all drawings are in inches (mm).

APPLICATIONS

- Keypad backlighting
- Push-button backlighting
- LCD backlighting

DESCRIPTION

These super bright bi-color surface mount chip LEDs are designed to fit industry standard footprint. Small size, low profile and wide viewing angle make these LEDs ideal for backlighting applications and panel illumination.

FEATURES

- Miniature footprint - 3.2(L) X 2.7(W) X 1.1(H) mm
- AllnGaP technology
- Wide viewing angle of 140°
- Water clear optics
- Moisture-proof packaging
- Available in 0.315" (8mm) width tape on 7" (178mm) diameter reel; 2,000 units per reel

QTLP650C-RY Red/Yellow

QTLP650C-RAG Red/Yellow-Green

ABSOLUTE MAXIMUM RATINGS ($T_A = 25^\circ\text{C}$ Unless otherwise specified)

Parameter	Symbol	QTLP650C		Units
		-RY	-RAG	
Continuous Forward Current	I_F	30 / 25	30 / 30	mA
Peak Forward Current ($f = 1.0 \text{ KHz}$, Duty Factor = 1/10)	I_{FM}	160 / 120	160 / 160	mA
Reverse Voltage	V_R	5	5	V
Power Dissipation	P_D	72 / 60	72 / 72	mW
Operating Temperature	T_{OPR}	-40 to +85		$^\circ\text{C}$
Storage Temperature	T_{STG}	-40 to +90		$^\circ\text{C}$
Lead Soldering Time	T_{SOL}	260 for 5 sec		$^\circ\text{C}$

ELECTRICAL / OPTICAL CHARACTERISTICS ($T_A = 25^\circ\text{C}$)

Parameter	Symbol	QTLP650C		Units
		-RY	-RAG	
Luminous Intensity (mcd)	I_V			$I_F = 20\text{mA}$
Minimum		15 / 15	15 / 10	
Typical		35 / 35	35 / 15	
Forward Voltage (V)	V_F			$I_F = 20\text{mA}$
Maximum		2.4 / 2.4	2.4 / 2.4	
Typical		2.0 / 2.0	2.0 / 2.0	
Wavelength (nm)	λ_P			$I_F = 20\text{mA}$
Peak		630 / 590	630 / 575	
Dominant	λ_D	624 / 589	624 / 573	
Spectral Line Half Width (nm)	$\Delta\lambda$	20 / 15	20 / 20	$I_F = 20\text{mA}$
Viewing Angle ($^\circ$)	$2\Theta_{1/2}$	140	140	$I_F = 20\text{mA}$

TYPICAL PERFORMANCE CURVES

Fig. 1 Forward Current vs. Forward Voltage

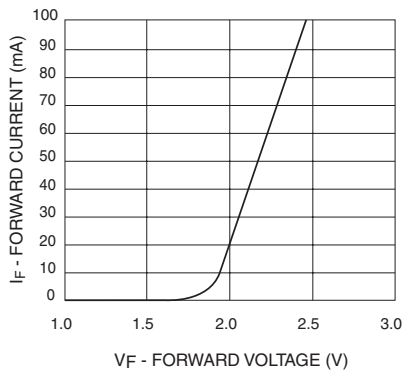


Fig. 2 Relative Luminous Intensity vs. DC Forward Current

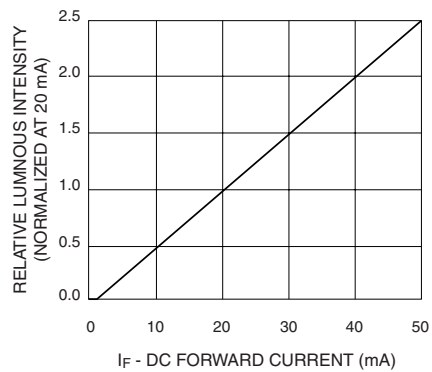


Fig. 3 Relative Intensity vs. Peak Wavelength

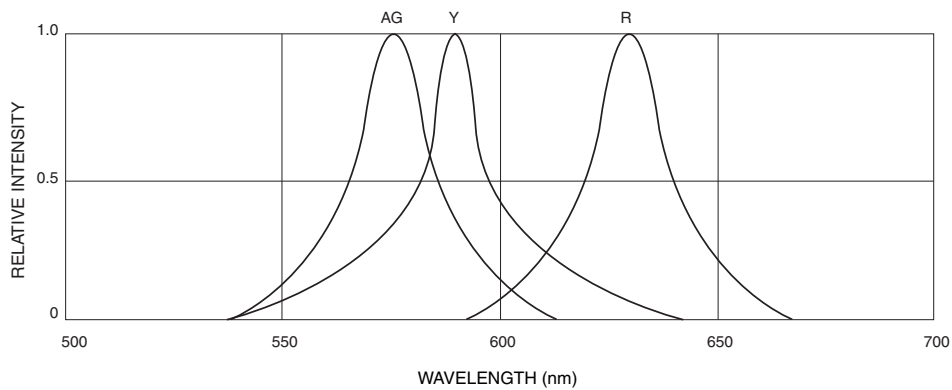


Fig.4 Radiation Diagram

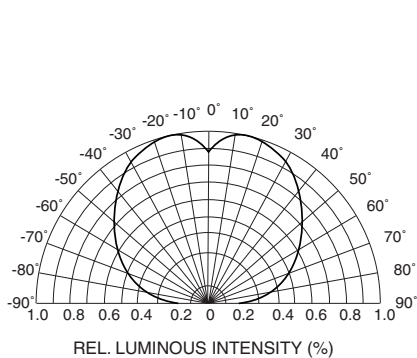
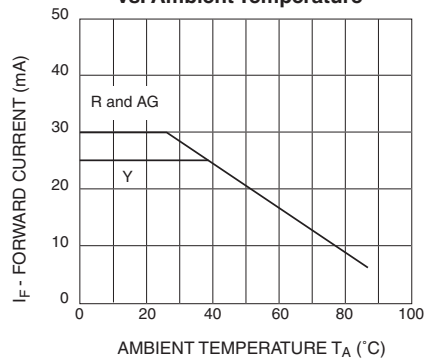


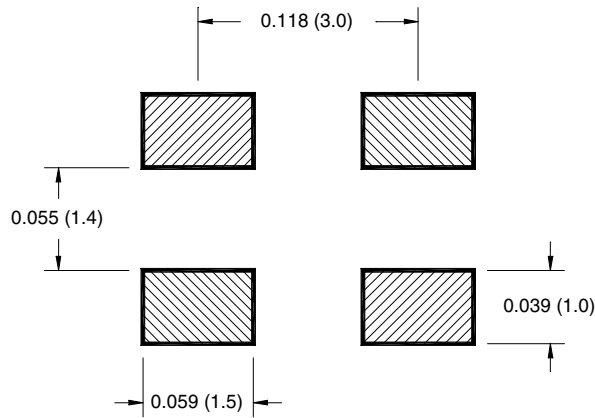
Fig.5 Maximum Forward Current vs. Ambient Temperature



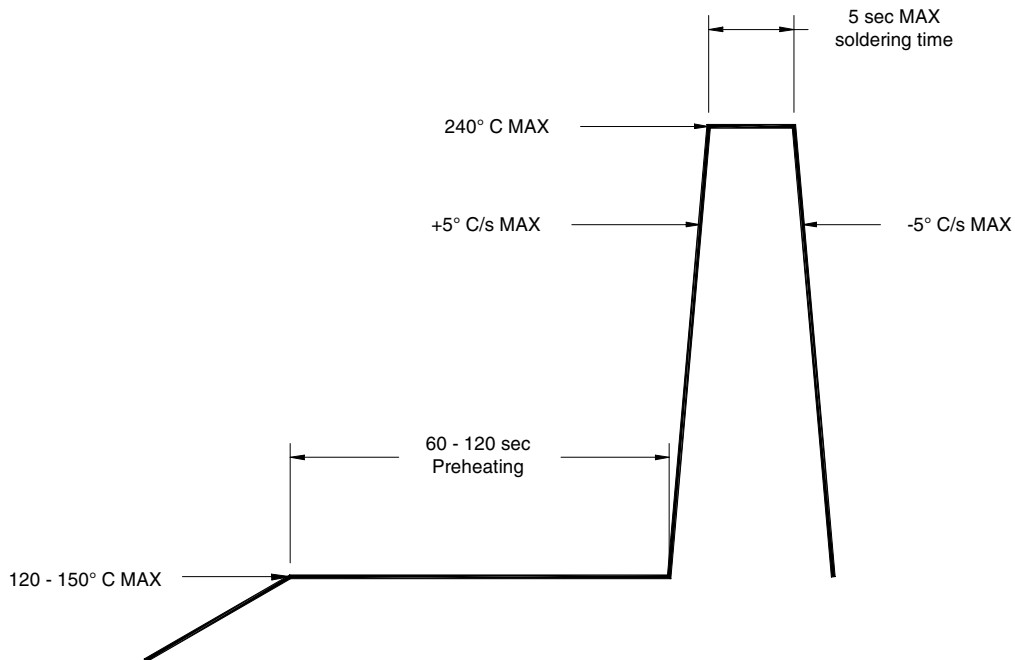
QTLP650C-RY Red/Yellow

QTLP650C-RAG Red/Yellow-Green

RECOMMENDED PRINTED CIRCUIT BOARD PATTERN



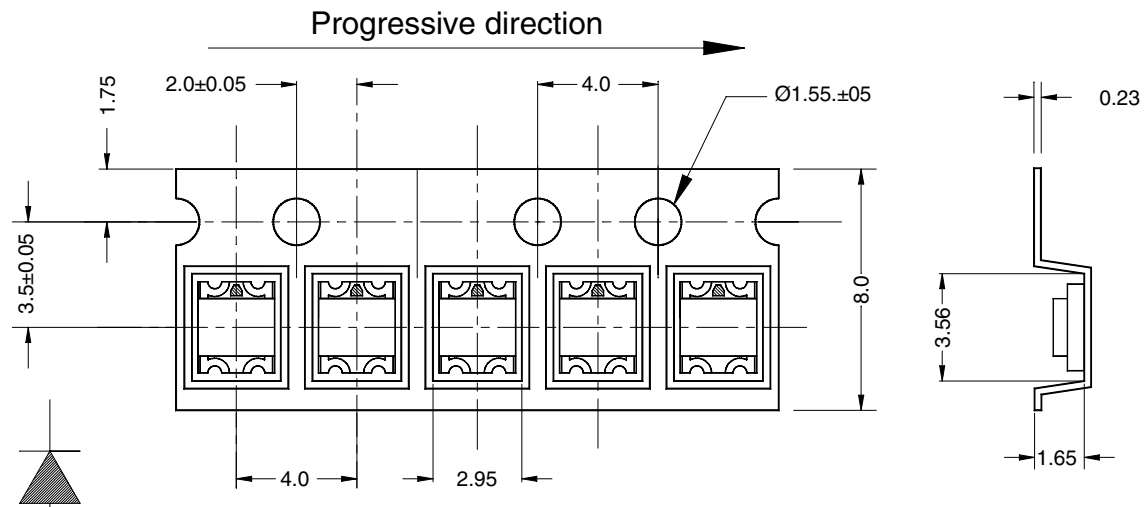
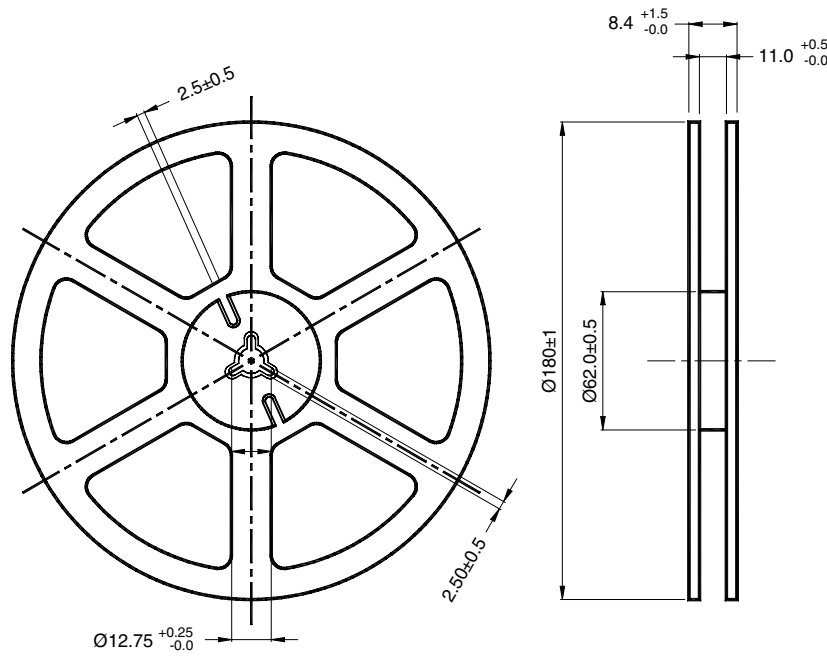
RECOMMENDED IR REFLOW SOLDERING PROFILE



QTLP650C-RY Red/Yellow

QTLP650C-RAG Red/Yellow-Green

TAPE AND REEL DIMENSIONS



Polarity

Dimensional tolerance is ± 0.1 mm unless otherwise specified

Angle: ± 0.5

Unit: mm

QTLP650C-RY Red/Yellow

QTLP650C-RAG Red/Yellow-Green

DISCLAIMER

FAIRCHILD SEMICONDUCTOR RESERVES THE RIGHT TO MAKE CHANGES WITHOUT FURTHER NOTICE TO ANY PRODUCTS HEREIN TO IMPROVE RELIABILITY, FUNCTION OR DESIGN. FAIRCHILD DOES NOT ASSUME ANY LIABILITY ARISING OUT OF THE APPLICATION OR USE OF ANY PRODUCT OR CIRCUIT DESCRIBED HEREIN; NEITHER DOES IT CONVEY ANY LICENSE UNDER ITS PATENT RIGHTS, NOR THE RIGHTS OF OTHERS.

LIFE SUPPORT POLICY

FAIRCHILD'S PRODUCTS ARE NOT AUTHORIZED FOR USE AS CRITICAL COMPONENTS IN LIFE SUPPORT DEVICES OR SYSTEMS WITHOUT THE EXPRESS WRITTEN APPROVAL OF THE PRESIDENT OF FAIRCHILD SEMICONDUCTOR CORPORATION. As used herein:

1. Life support devices or systems are devices or systems which, (a) are intended for surgical implant into the body, or (b) support or sustain life, and (c) whose failure to perform when properly used in accordance with instructions for use provided in labeling, can be reasonably expected to result in a significant injury of the user.
2. A critical component in any component of a life support device or system whose failure to perform can be reasonably expected to cause the failure of the life support device or system, or to affect its safety or effectiveness.