



Chipsmall Limited consists of a professional team with an average of over 10 year of expertise in the distribution of electronic components. Based in Hongkong, we have already established firm and mutual-benefit business relationships with customers from,Europe,America and south Asia,supplying obsolete and hard-to-find components to meet their specific needs.

With the principle of “Quality Parts,Customers Priority,Honest Operation,and Considerate Service”,our business mainly focus on the distribution of electronic components. Line cards we deal with include Microchip,ALPS,ROHM,Xilinx,Pulse,ON,Everlight and Freescale. Main products comprise IC,Modules,Potentiometer,IC Socket,Relay,Connector.Our parts cover such applications as commercial,industrial, and automotives areas.

We are looking forward to setting up business relationship with you and hope to provide you with the best service and solution. Let us make a better world for our industry!



Contact us

Tel: +86-755-8981 8866 Fax: +86-755-8427 6832

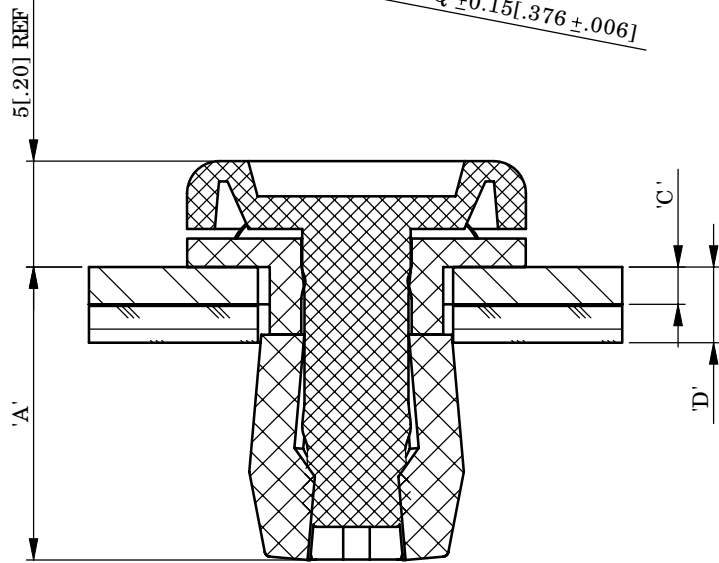
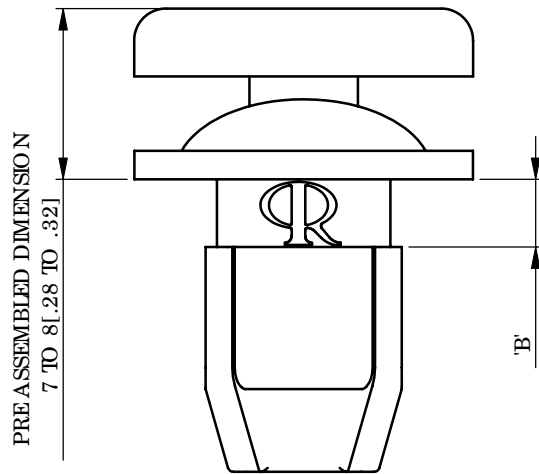
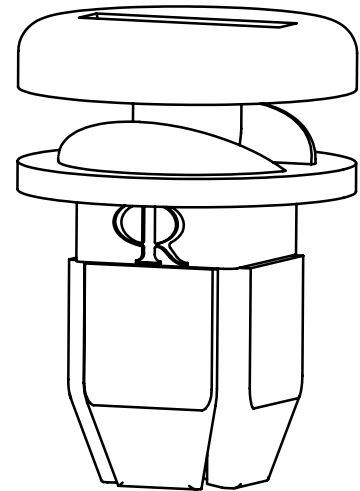
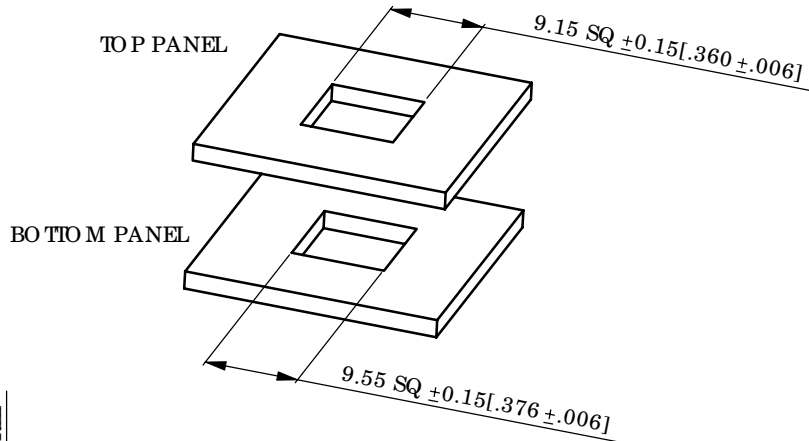
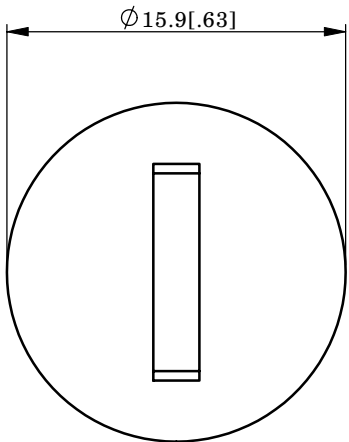
Email & Skype: info@chipsmall.com Web: www.chipsmall.com

Address: A1208, Overseas Decoration Building, #122 Zhenhua RD., Futian, Shenzhen, China



A B C D E F

REV.	MODIFICATION.	DATE	DRN
01	PRODUCTION RELEASE	17/12/08	PH
02	CO2010789	26/08/09	MT



ALTERNATE UNITS FOR REFERENCE ONLY

INFORMATION CONTAINED IN THIS DOCUMENT IS CONFIDENTIAL TO RICHCO INTERNATIONAL Co., Ltd. AND MAY NOT BE DISCLOSED OR REPRODUCED IN WHOLE OR PART WITHOUT THEIR WRITTEN CONSENT

RIC HCO, INC.
 WWW.RICHCO-INC.COM

ALL DIMENSIONS IN mm
 GENERAL TOLERANCES ±0.25
 UNLESS OTHERWISE STATED
 1 DECIMAL PLACE ±
 2 DECIMAL PLACES ±
 ANGULAR ±1°

THIRD ANGLE

PART NUMBER	'A'	'B'	TOP PANEL THICKNESS 'C'	TOTAL PANEL THICKNESS 'D'
QTPF-1BK	12.3 [.48]	1.7 [.07]	0.5 TO 1.6 [.020 TO .063]	2 TO 5 [.078 TO .196]
QTPF-2BK	13.7 [.54]	3.1 [.12]	1.8 TO 3.1 [.071 TO .122]	4 TO 6.2 [.157 TO .244]

MATERIAL: ACETAL - UL94 HB (RMS -14)		COLOUR: BLACK	
DESCRIPTION: QUARTER TURN PANEL FASTENER		PART No : SEE TABLE	
DRG No : 08-121		NPR No : GB08-0042	
SHEET SIZE A4			
DRN PH	DATE 17/12/08	CHKD TC	DATE 19/12/08
SCALE NTS	SHEET No . 1 OF 1		

AVAILABLE IN WHITE BY SPECIAL ORDER, TO ORDER REPLACE BK WITH WH

A B C D E F