



Chipsmall Limited consists of a professional team with an average of over 10 year of expertise in the distribution of electronic components. Based in Hongkong, we have already established firm and mutual-benefit business relationships with customers from,Europe,America and south Asia,supplying obsolete and hard-to-find components to meet their specific needs.

With the principle of "Quality Parts,Customers Priority,Honest Operation,and Considerate Service",our business mainly focus on the distribution of electronic components. Line cards we deal with include Microchip,ALPS,ROHM,Xilinx,Pulse,ON,Everlight and Freescale. Main products comprise IC,Modules,Potentiometer,IC Socket,Relay,Connector.Our parts cover such applications as commercial,industrial, and automotives areas.

We are looking forward to setting up business relationship with you and hope to provide you with the best service and solution. Let us make a better world for our industry!



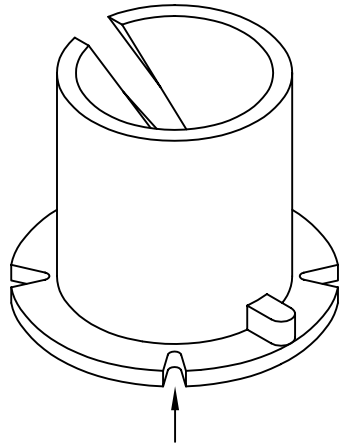
## Contact us

Tel: +86-755-8981 8866 Fax: +86-755-8427 6832

Email & Skype: info@chipsmall.com Web: www.chipsmall.com

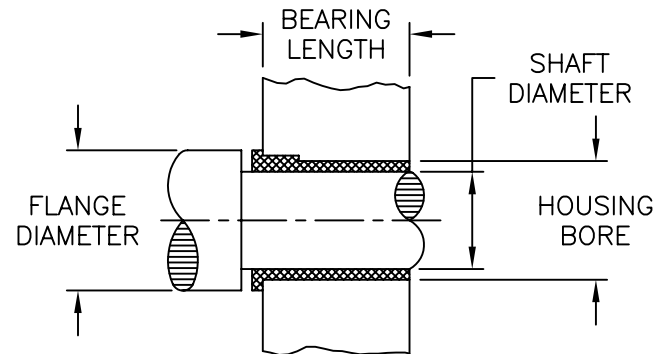
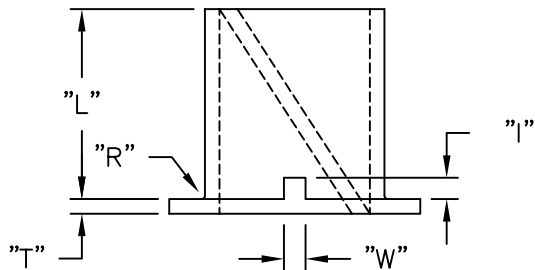
Address: A1208, Overseas Decoration Building, #122 Zhenhua RD., Futian, Shenzhen, China





SLOTS ON FLANGE APPEAR ON PART NO. R10L5.5-A THROUGH R16L16-A ONLY

PART NO.	NOMINAL BRG. I.D.	BEARING I.D. +.001/- .000	MAXIMUM SHAFT DIAMETER	HOUSING BORE ±.0005	BEARING LENGTH "L" +.000 -1/64	RADIUS "R" MAX.	FLANGE			KEY	
							DIA. ±1/64	"T" +.000 - .005	"W" +.000 - .010	"T" +0 -1/64	"T" +0 -1/64
R3L3-A	3/16	.1885	.1875	.2345	3/16	.010	5/16	.025	1/16	1/16	
R4L4-A	1/4	.2510	.2500	.2970	1/4		13/32				
R5L5-A	5/16	.3135	.3125	.3750	5/16	.015	1/2	.030	3/32	3/32	
R5L7-A					7/16						
R5L10-A					5/8						
R6L6-A	3/8	.3760	.3750	.4375	3/8		19/32				
R6L11-A					11/16						
R7L7-A	7/16	.4385	.4375	.5000	7/16		21/32				
R8L3.5-A	1/2	.5010	.5000	.5625	7/32		3/4				
R8L5.5-A					11/32						
R8L8-A					1/2						
R8L12-A					23/32						
R10L5.5-A	5/8	.6260	.6250	.6875	11/32	15/16					
R10L7-A					7/16						
R10L10-A					5/8						
R10L14-A					7/8						
R10L18-A					1-1/8						
R12L12-A	3/4	.7510	.7500	.8125	3/4	1-1/8					
R12L18-A					1-1/8						
R14L7.5-A	7/8	.8760	.8750	.9375	15/32	1-5/16					
R14L14-A					7/8						
R16L16-A	1	1.0015+.0015	1.0000	1.0940	1	.020	1-1/2	.045	5/32	5/32	



NOTES:

1. MATERIAL: NYLON 6/6 (RMS-48).
2. COLOR: WHITE.
3. MAX. CONTINUOUS NON-LUBRICATED OPERATION: 500 RPM.

REV	DESCRIPTION	ENGR	DATE
C	UPDATED PRINT AND ADDED NOTE 3.	SM	02.25.02
B	CHANGED FILE NO. AND TITLE BLOCK	SM	11.09.01
A	SLOTS ADDED TO ISOMETRIC	PB	092394

TITLE: MODEL A: FLANGED SLEEVE BEARING W/POSITIONING KEY				DWG IN INCHES	FINAL
TOLERANCES UNLESS NOTED .XX=±.010 .XXX=±.005 FRAC=±1/64 ANG=±1°	FILE # RXLX-A,B,C	DWN: P.B.	APP:	PART # SEE TABLE	PRINT TYPE CA
MAT'L: SEE NOTES	RE: RICHCO, INC.	DT: 05-05-94	DT:		
			RICHCO INC. PO BOX 804238, CHICAGO, 60680 (773) 539-4060		