



Chipsmall Limited consists of a professional team with an average of over 10 year of expertise in the distribution of electronic components. Based in Hongkong, we have already established firm and mutual-benefit business relationships with customers from,Europe,America and south Asia,supplying obsolete and hard-to-find components to meet their specific needs.

With the principle of “Quality Parts,Customers Priority,Honest Operation,and Considerate Service”,our business mainly focus on the distribution of electronic components. Line cards we deal with include Microchip,ALPS,ROHM,Xilinx,Pulse,ON,Everlight and Freescale. Main products comprise IC,Modules,Potentiometer,IC Socket,Relay,Connector.Our parts cover such applications as commercial,industrial, and automotives areas.

We are looking forward to setting up business relationship with you and hope to provide you with the best service and solution. Let us make a better world for our industry!



## Contact us

Tel: +86-755-8981 8866 Fax: +86-755-8427 6832

Email & Skype: info@chipsmall.com Web: www.chipsmall.com

Address: A1208, Overseas Decoration Building, #122 Zhenhua RD., Futian, Shenzhen, China





# SERIES R1973 SWITCHES

## ROCKER SWITCHES - ILLUMINATED



### SPECIFICATIONS

Contact Rating:	9A@125 VAC (cURus) 6A@250 VAC
Life Expectancy (Mechanical):	30,000 cycles
Life Expectancy (Electrical):	10,000 cycles
Contact Resistance:	20 mΩ max., initial @ 2-4 VDC
Insulation Resistance:	>1,000MΩ
Dielectric Strength:	>1,500 VAC, terminal to terminal >3,000 VAC, terminal to case
Operating Temp:	-30°C to 55°C
Safety Standard Approval:	cURus

### MATERIALS

Body:	Nylon 6/6 (UL94 V-2)
Rocker:	Polycarbonate (UL94 V-2)
Contact Surface:	Coin silver, silver plated
Terminal:	Silver plated copper alloy
Illuminated Rockers:	Neon lamp or Incandescent bulb

### FEATURES & BENEFITS

- ▶ Industry standard panel cut-out size
- ▶ Single & double pole options
- ▶ Fully illuminated actuator option

### APPLICATIONS/MARKETS

- ▶ Audio/Visual
- ▶ Consumer Electronics
- ▶ Test/instrumentation

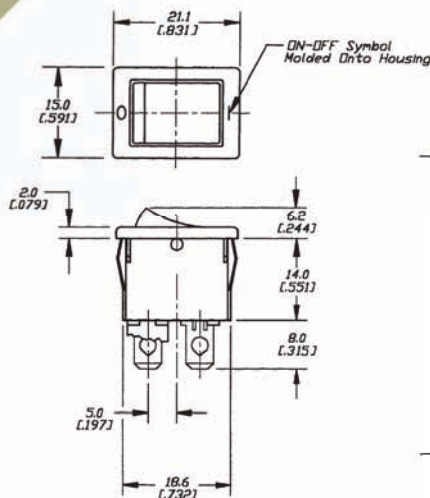
### HOW TO ORDER

SERIES	CIRCUIT	HOUSING COLOR	ACTUATOR COLOR	MARKING	TERMINATION	LAMP VOLTAGE
R1973	<input type="checkbox"/>	<input type="checkbox"/>	<input type="checkbox"/>	<input type="checkbox"/>	<input type="checkbox"/>	<input type="checkbox"/>
	A = SPST B = DPST	BLK = Black WHT = White GRY = Grey	BLK = Black WHT = White GRY = Grey RED = Red ORG = Orange YIL = Yellow ILL. GIL = Green ILL. RIL = Red ILL. BIL = Blue ILL.	A B C D E F G H I J K L	F = Faston R = Rt. Angle PC Pin L = Left Angle PC Pin	0 = No Lamp 1 = 125V AC <sup>1</sup> 2 = 250V AC <sup>1</sup> 3 = 12V DC <sup>2</sup> 4 = 24V DC <sup>2</sup> 6 = 6V DC <sup>2</sup>  <sup>1</sup> Neon Bulb <sup>2</sup> Incandescent Bulb

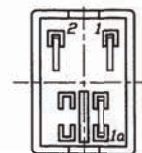
▶ ▶ ▶ Example Ordering Number  
R1973-B-BLK-RED-E-F-2

Specifications subject to change without notice.

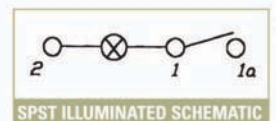
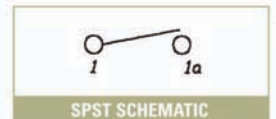
### A SPST



### Bottom View



Circuit	POS 1	POS 2
SPST	ON	OFF
Term. Comm.	1-1a	OPEN





# SERIES R1973 SWITCHES

## ROCKER SWITCHES - ILLUMINATED

TACT SWITCHES

NAVIGATION SWITCHES

PUSHBUTTON SWITCHES

TOGGLE SWITCHES

ROCKER SWITCHES

SLIDE SWITCHES

SNAP-ACTION SWITCHES

DIP SWITCHES

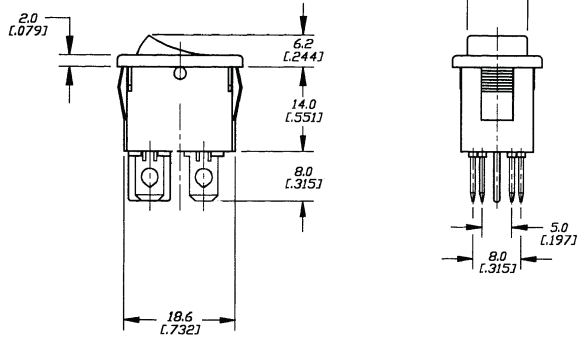
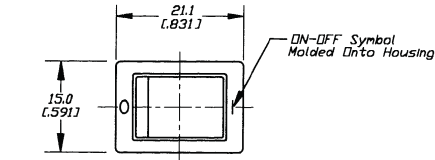
KEYLOCK SWITCHES

ROTARY SWITCHES

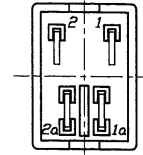
DETECTOR SWITCHES

CAP OPTIONS

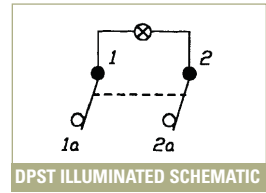
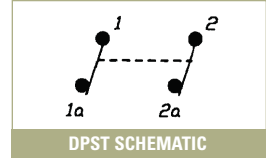
### B DPST



### Bottom View

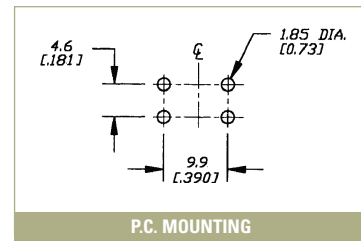


Circuit	POS 1	POS 2
DPST	ON	OFF
Term. Comm.	1-1a, 2-2a	OPEN

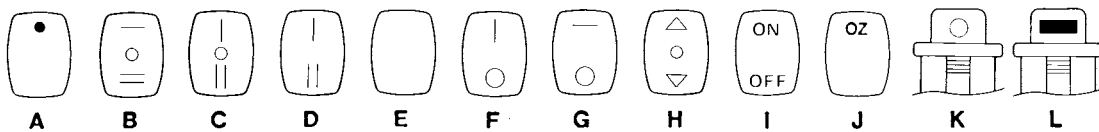


Panel Thickness	X
.75 - 1.25 (.030) - (.049)	19.2 ± 0.1 (.756 ± 0.004)
1.25 - 2.00 (.049) - (.079)	19.3 ± 0.1 (.760 ± 0.004)
2.00 - 3.00 (.079) - (.118)	19.5 ± 0.1 (.768 ± 0.004)

PANEL MOUNTING



### MARKING OPTIONS



### TERMINATION OPTIONS

#### F FASTON

0.81 (.032) THK terminals designed for Quick Connect connectors available from AMP Industries, Harrisburg, PA 17105. (Or equivalent).

#### R RIGHT ANGLE PC PIN

#### L LEFT ANGLE PC PIN