



Chipsmall Limited consists of a professional team with an average of over 10 year of expertise in the distribution of electronic components. Based in Hongkong, we have already established firm and mutual-benefit business relationships with customers from,Europe,America and south Asia,supplying obsolete and hard-to-find components to meet their specific needs.

With the principle of “Quality Parts,Customers Priority,Honest Operation,and Considerate Service”,our business mainly focus on the distribution of electronic components. Line cards we deal with include Microchip,ALPS,ROHM,Xilinx,Pulse,ON,Everlight and Freescale. Main products comprise IC,Modules,Potentiometer,IC Socket,Relay,Connector.Our parts cover such applications as commercial,industrial, and automotives areas.

We are looking forward to setting up business relationship with you and hope to provide you with the best service and solution. Let us make a better world for our industry!



Contact us

Tel: +86-755-8981 8866 Fax: +86-755-8427 6832

Email & Skype: info@chipsmall.com Web: www.chipsmall.com

Address: A1208, Overseas Decoration Building, #122 Zhenhua RD., Futian, Shenzhen, China



R1G133-AA65-02

EC centrifugal fan

backward curved, single inlet



ebm-papst Mulfingen GmbH & Co. KG

Bachmühle 2

74673 Mulfingen

Phone: +49 7938 81-0

Fax: +49 7938 81-110

www.ebmpapst.com

info1@de.ebmpapst.com

Nominal data

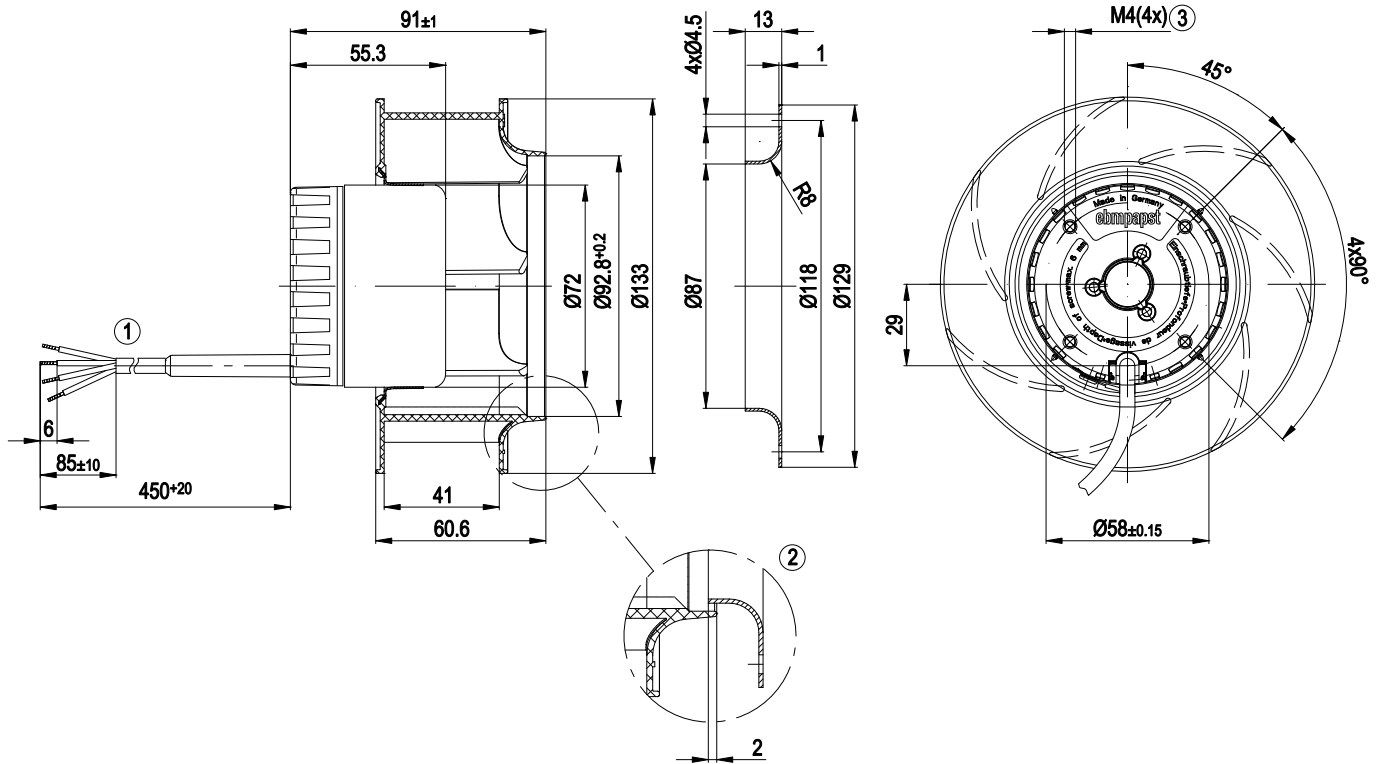
Type	R1G133-AA65-02	
Motor	M1G055-BD	
Nominal voltage	[VDC]	48
Nominal voltage range	[VDC]	36 .. 57
Type of data definition		rfa
Speed	[min ⁻¹]	3900
Power input	[W]	28
Current draw	[A]	0.7
Min. ambient temperature	[°C]	- 25
Max. ambient temperature	[°C]	+60

ml = max. load · me = max. efficiency · rfa = running at free air · cs = customer specs · cu = customer unit
Subject to alterations

Technical features

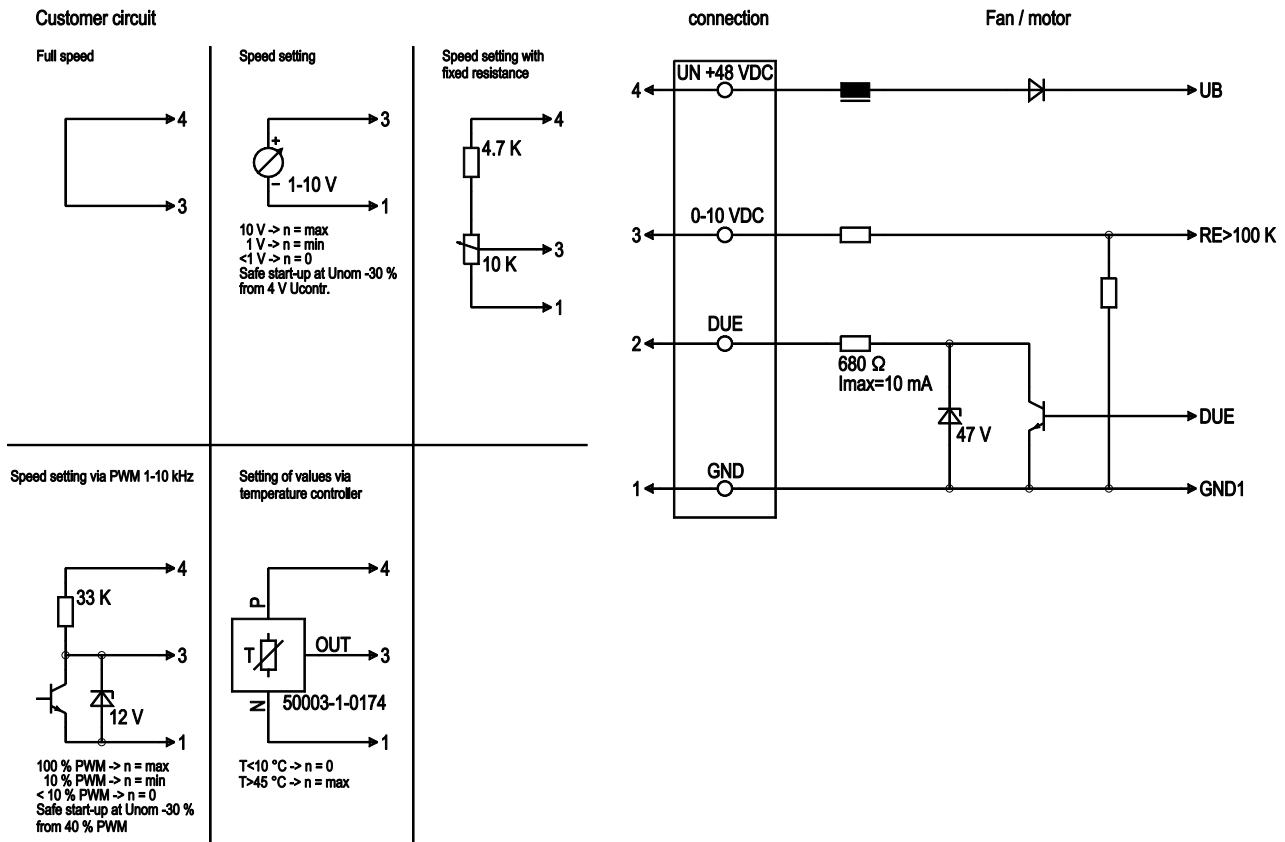
Size	133 mm
Operation mode	S1
Direction of rotation	Clockwise, seen on rotor
Mounting position	Any
EMC interference emission	Acc. to EN 61000-6-3 (household environment)
EMC interference immunity	Acc. to EN 61000-6-2 (industrial environment)
Insulation class	"B"
Cable exit	Variable
Condensate discharge holes	Rotor-side
Bearing motor	Ball bearing
Mass	0.67 kg
Material of electronics housing	Die-cast aluminium
Material of impeller	Plastic PA66, fibreglass-reinforced
Motor protection	Reverse polarity and locked-rotor protection
Surface of rotor	Thick layer passivated
Number of blades	7
Type of protection	IP 20
Technical features	<ul style="list-style-type: none"> - Control input 0-10 VDC / PWM - Tach output - Motor current limit - Soft start
Max. permissible ambient motor temp. (transp./ storage)	+80 °C
Min. permissible ambient motor temp. (transp./storage)	-40 °C
Approval	CCC; CSA C22.2 Nr.77; UL 1004

Product drawing



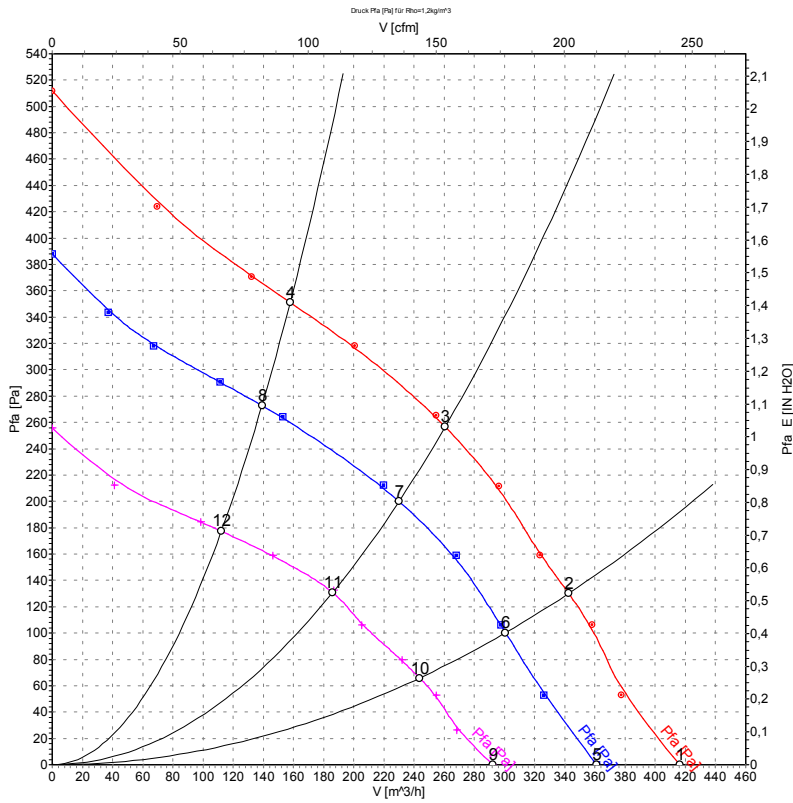
1	Connection line AWG20; 4 x brass lead tips crimped
2	Accessory part: Inlet nozzle 09566-2-4013, not included in the standard scope of delivery
3	Depth of screw max. 6 mm

Connection screen



Line	No.	Signal	Colour	Function / assignment
1	1	GND	blue	Reference mass
1	2	DUE	white	Speed monitoring output, 2 pulses per rotation, Isink max = 10 mA
1	3	0-10 VDC	yellow	Control input Re > 100 K
1	4	Un +48 VDC	red	Power supply 48 VDC, residual ripple 3.5 %

Charts: Air flow



Measurement: LU-54696
 Measurement: LU-54695
 Measurement: LU-54697

Measured values

	U	n	P ₁	I	\hat{V}	p _{fa}
	[V]	[min ⁻¹]	[W]	[A]	[m ³ /h]	[Pa]
1	57	4445	39	0.76	415	0
2	57	4275	44	0.84	340	130
3	57	4270	44	0.85	260	258
4	57	4345	42	0.81	160	351
5	48	3900	28	0.70	360	0
6	48	3775	31	0.71	300	100
7	48	3775	31	0.72	230	200
8	48	3825	30	0.69	140	275
9	36	3150	15	0.50	290	0
10	36	3050	17	0.55	245	66
11	36	3055	17	0.54	185	133
12	36	3100	16	0.52	110	177