



Chipsmall Limited consists of a professional team with an average of over 10 year of expertise in the distribution of electronic components. Based in Hongkong, we have already established firm and mutual-benefit business relationships with customers from,Europe,America and south Asia,supplying obsolete and hard-to-find components to meet their specific needs.

With the principle of "Quality Parts,Customers Priority,Honest Operation,and Considerate Service",our business mainly focus on the distribution of electronic components. Line cards we deal with include Microchip,ALPS,ROHM,Xilinx,Pulse,ON,Everlight and Freescale. Main products comprise IC,Modules,Potentiometer,IC Socket,Relay,Connector.Our parts cover such applications as commercial,industrial, and automotives areas.

We are looking forward to setting up business relationship with you and hope to provide you with the best service and solution. Let us make a better world for our industry!



## Contact us

Tel: +86-755-8981 8866 Fax: +86-755-8427 6832

Email & Skype: info@chipsmall.com Web: www.chipsmall.com

Address: A1208, Overseas Decoration Building, #122 Zhenhua RD., Futian, Shenzhen, China



# Customer Information Sheet

DRAWING No.: R30-620XX14

SHEET 2 OF 2

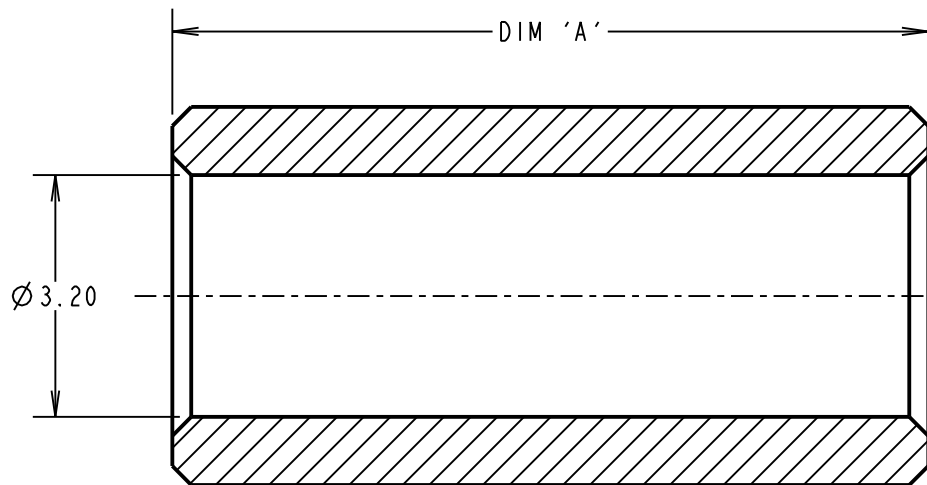
IF IN DOUBT - ASK

©

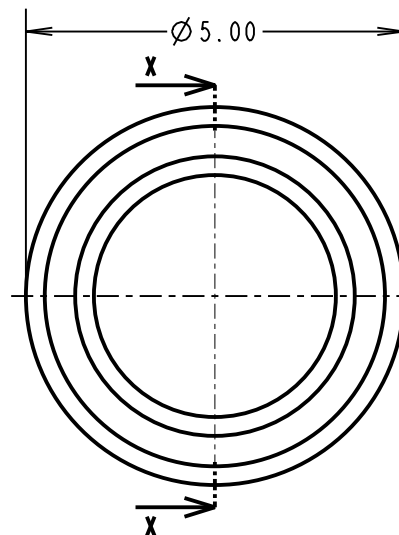
NOT TO SCALE

THIRD ANGLE PROJECTION

ALL DIMENSIONS IN mm



SECTION X-X



ORDER CODE:  
**R30-620XX14**  
 LENGTH: \_\_\_\_\_  
 SEE DIM 'A' IN TABLE

PART No.	DIM 'A' ±0.10mm	PART No.	DIM 'A' ±0.15mm
R30-6200314	3.00	R30-6201314	13.00
R30-6200414	4.00	R30-6201414	14.00
R30-6200514	5.00	R30-6201514	15.00
R30-6200614	6.00	R30-6201614	16.00
R30-6200714	7.00	R30-6201814	18.00
R30-6200814	8.00	R30-6202014	20.00
R30-6300914	9.00	R30-6202514	25.00
R30-6201014	10.00	R30-6203014	30.00
R30-6201114	11.00		
R30-6201214	12.00		

MSP	7	23.05.16	13422
NAME	ISS.	DATE	C/NOTE
APPROVED: M.PERREN			
CHECKED: M.PLESTED			
DRAWN: S.BENNETT			
CUSTOMER REF.:			
ASSEMBLY DRG:			

NOTES:  
 1. 0.25mm CHAMFER ON OUTER AND INNER DIAMETER.

## HARWIN

www.harwin.com  
 technical@harwin.com

THIS DRAWING AND ANY INFORMATION OR DESCRIPTIVE MATTER SET OUT HEREON ARE CONFIDENTIAL AND COPYRIGHT PROPERTY OF THE HARWIN GROUP AND MUST NOT BE DISCLOSED, LOANED, COPIED OR USED FOR MANUFACTURING, TENDERING OR FOR ANY OTHER PURPOSE WITHOUT THEIR WRITTEN PERMISSION.

TOLERANCES  
 X. = ±1mm  
 X.X = ±0.50mm  
 X.XX = ±0.10mm  
 X.XXX = ±0.01mm  
 ANGLES = ±5°  
 UNLESS STATED

MATERIAL:  
 ALUMINIUM  
 1050A H08 TO BS1471  
 (ALM1458)  
 FINISH: CLEAR PASSIVATE  
 S/AREA: mm<sup>2</sup>

TITLE:  
 M3 CIRCULAR  
 CLEARANCE SPACER  
 DRAWING NUMBER:  
**R30-620XX14**