



Chipsmall Limited consists of a professional team with an average of over 10 year of expertise in the distribution of electronic components. Based in Hongkong, we have already established firm and mutual-benefit business relationships with customers from,Europe,America and south Asia,supplying obsolete and hard-to-find components to meet their specific needs.

With the principle of “Quality Parts,Customers Priority,Honest Operation,and Considerate Service”,our business mainly focus on the distribution of electronic components. Line cards we deal with include Microchip,ALPS,ROHM,Xilinx,Pulse,ON,Everlight and Freescale. Main products comprise IC,Modules,Potentiometer,IC Socket,Relay,Connector.Our parts cover such applications as commercial,industrial, and automotives areas.

We are looking forward to setting up business relationship with you and hope to provide you with the best service and solution. Let us make a better world for our industry!



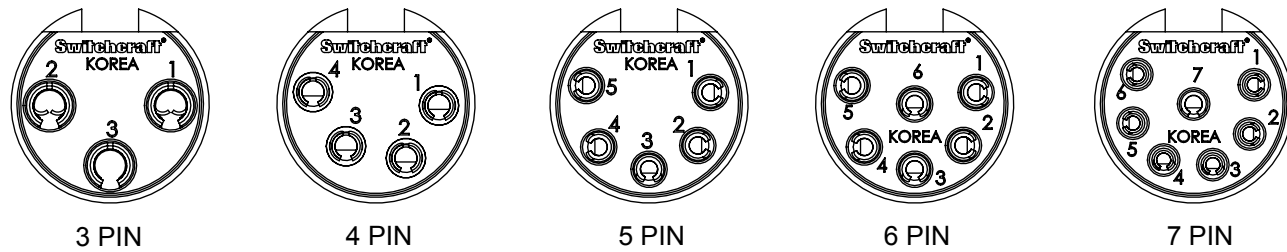
Contact us

Tel: +86-755-8981 8866 Fax: +86-755-8427 6832

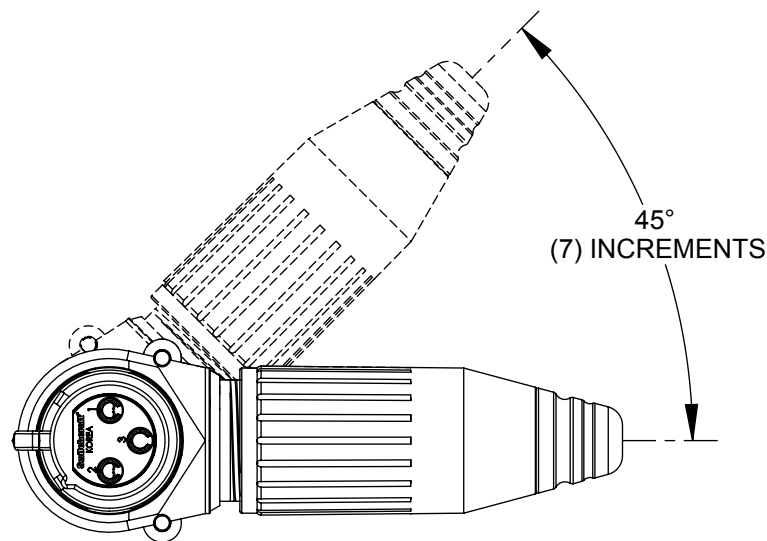
Email & Skype: info@chipsmall.com Web: www.chipsmall.com

Address: A1208, Overseas Decoration Building, #122 Zhenhua RD., Futian, Shenzhen, China



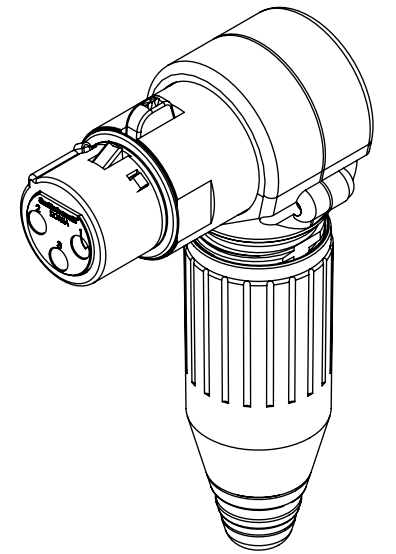
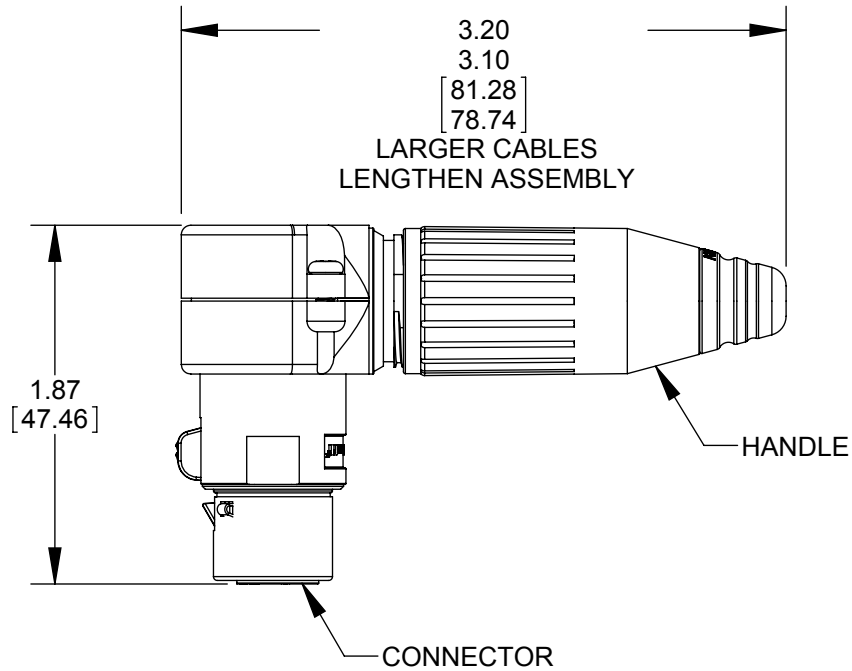
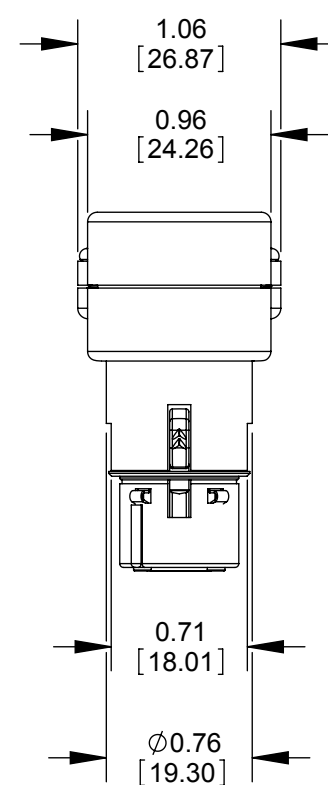


CONTACT ARRANGEMENT
(SHOWN ARE FRONT VIEWS OF FEMALE CONNECTORS)



R3FZ SHOWN

PART NUMBER	CONTACTS		CONNECTOR	HANDLE
	QTY	FINISH		
R3FZ	3	SILVER	NICKEL	NICKEL
R3FBZ	3	SILVER	BLACK	BLACK
R3FBAUZ	3	GOLD	BLACK	BLACK
R4FZ	4	SILVER	NICKEL	NICKEL
R4FBZ	4	SILVER	BLACK	BLACK
R4FBAUZ	4	GOLD	BLACK	BLACK
R5FZ	5	SILVER	NICKEL	NICKEL
R5FBZ	5	SILVER	BLACK	BLACK
R5FBAUZ	5	GOLD	BLACK	BLACK
R6FZ	6	SILVER	NICKEL	NICKEL
R6FBZ	6	SILVER	BLACK	BLACK
R6FBAUZ	6	GOLD	BLACK	BLACK
R7FZ	7	SILVER	NICKEL	NICKEL
R7FBZ	7	SILVER	BLACK	BLACK
R7FBAUZ	7	GOLD	BLACK	BLACK



NOTE:

- HANDLE AND CONNECTOR SHIPPED UNASSEMBLED.
- MATERIALS:
HANDLE, HOUSING, AND LATCH - ZINC ALLOY (SEE TABLE FOR FINISH)
INSULATOR AND FLEX RELIEF - THERMOPLASTIC
SOCKET CONTACTS - COPPER ALLOY (SEE TABLE FOR FINISH)
SCREWS - STEEL, FINISH SAME AS CONNECTOR
- THIS PRODUCT IS RoHS COMPLIANT.

CUSTOMER DRAWING

★ STAR SYMBOL DENOTES CRITICAL DIMENSION					THIS DRAWING DESCRIBES A DESIGN CONSIDERED PROPRIETARY IN NATURE, DEVELOPED AND MANUFACTURED BY SWITCHCRAFT INC. AND IS RELEASED ON A CONFIDENTIAL BASIS FOR IDENTIFICATION PURPOSES ONLY.					
SIZE	WIDTH	MULT	LBS/M	TEMPER	FINISH		MATERIAL			
					SPEC No.		SPEC No.			
					FIRST USED ON		SCALE 1:1			
C	24636	2-19-04	RS	TJK	DATE DRAWN	BY	CHKD	APVD	Switchcraft [®]	
B	24577	10-27-03	JL	BRH	3-11-03	BRH	BRH	BRH		
A	24446	8-12-03	JL	BRH			8-12-03	8-12-03	SHEET 1 OF 1	
REV	ECO NUMBER	DATE	BY	APVD	NAME		PART No.		REV	
REVISIONS					DO NOT SCALE DRAWING		FEMALE RIGHT ANGLE, RoHS		R_FZ_SERIES	C