



Chipsmall Limited consists of a professional team with an average of over 10 year of expertise in the distribution of electronic components. Based in Hongkong, we have already established firm and mutual-benefit business relationships with customers from,Europe,America and south Asia,supplying obsolete and hard-to-find components to meet their specific needs.

With the principle of “Quality Parts,Customers Priority,Honest Operation,and Considerate Service”,our business mainly focus on the distribution of electronic components. Line cards we deal with include Microchip,ALPS,ROHM,Xilinx,Pulse,ON,Everlight and Freescale. Main products comprise IC,Modules,Potentiometer,IC Socket,Relay,Connector.Our parts cover such applications as commercial,industrial, and automotives areas.

We are looking forward to setting up business relationship with you and hope to provide you with the best service and solution. Let us make a better world for our industry!



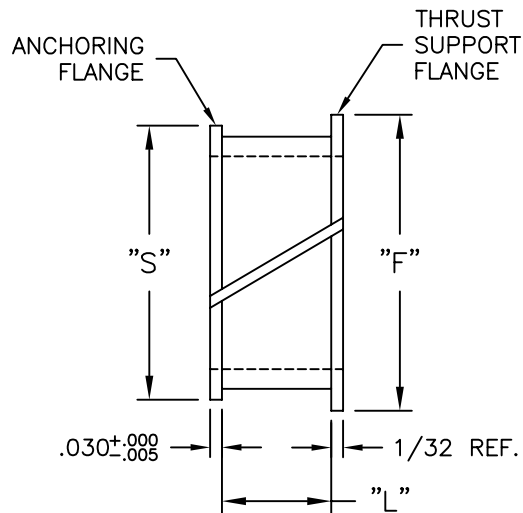
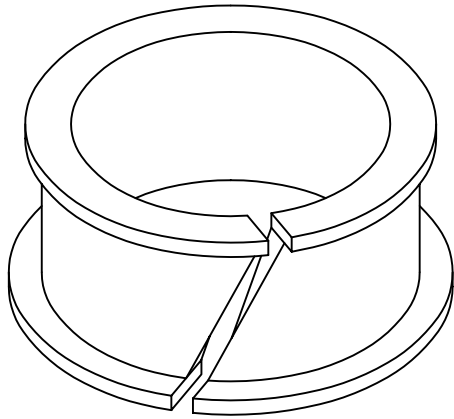
Contact us

Tel: +86-755-8981 8866 Fax: +86-755-8427 6832

Email & Skype: info@chipsmall.com Web: www.chipsmall.com

Address: A1208, Overseas Decoration Building, #122 Zhenhua RD., Futian, Shenzhen, China

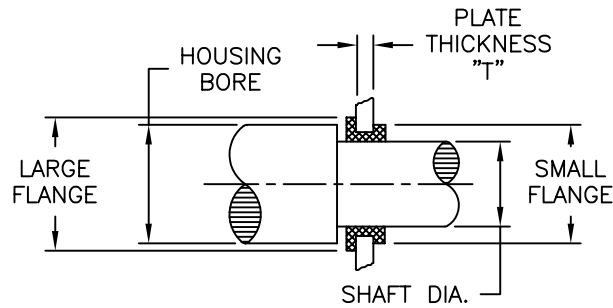




| BEARING NUMBER | MAXIMUM SHAFT DIA. | *MINIMUM HOUSING BORE | BEARING I.D.** +.003 -.000 | FLANGE DIAMETER ±1/64 | | BEARING LENGTH "L"+1/64 -.000 | RECOMMENDED PLATE THICKNESS "T" |
|----------------|--------------------|-----------------------|----------------------------------|--------------------------|-------|-------------------------------------|------------------------------------|
| | | | | "F" | "S" | | |
| R2L1-C | .125 | .1718 | .1260 | 1/4 | 3/16 | .078 | .040 TO .075 |
| R2L2-C | | | | | | .140 | .072 TO .135 |
| R3L1-C | .1875 | .2343 | .1885 | 5/16 | 1/4 | .078 | .040 TO .075 |
| R3L2-C | | | | | | .140 | .072 TO .135 |
| R4L1-C | .250 | .3125 | .2510 | 7/16 | 11/32 | .078 | .040 TO .075 |
| R4L2-C | | | | | | .140 | .072 TO .135 |
| R5L1-C | .3125 | .3750 | .3135 | 1/2 | 13/32 | .078 | .040 TO .075 |
| R5L2-C | | | | | | .140 | .072 TO .135 |
| R6L1-C | .375 | .4375 | .3760 | 9/16 | 15/32 | .078 | .040 TO .075 |
| R6L2-C | | | | | | .140 | .072 TO .135 |
| R7L1-C | .4375 | .500 | .4385 | 5/8 | 17/32 | .078 | .040 TO .075 |
| R7L2-C | | | | | | .140 | .072 TO .135 |
| R8L1-C | .500 | .5625 | .5010 | 11/16 | 19/32 | .078 | .040 TO .075 |
| R8L2-C | | | | | | .140 | .072 TO .135 |
| R10L1-C | .625 | .6875 | .6260 | 7/8 | 23/32 | .078 | .040 TO .075 |
| R10L2-C | | | | | | .140 | .072 TO .135 |
| R12L1-C | .750 | .8125 | .7510 | 1 | 27/32 | .078 | .040 TO .075 |
| R12L2-C | | | | | | .140 | .072 TO .135 |

* THE MINIMUM CLEARANCE FOR MODEL "C" SNAP-IN BEARINGS IS .001". HOWEVER, SNAP IN BEARINGS CAN BE USED WITH SHAFT DIAMETERS A FEW THOUSANDS LARGER OR SMALLER THAN SHOWN IF HOUSING BORE IS VARIED A CORRESPONDING AMOUNT.

** WHEN INSTALLED IN HOUSING BORE DIAMETER SHOWN.



NOTES:

1. MATERIAL: NYLON 6/6 (RMS-48).
2. COLOR: WHITE.
3. MAX. CONTINUOUS NON-LUBRICATED OPERATION: 500 RPM.

| | | | | | | |
|---------------------------------|---|-------------|--|-------------------|--|------------|
| TITLE: MODEL C: SNAP-IN BEARING | | | DWG IN INCHES | | FINAL | |
| C | UPDATED PRINT; ADDED NOTE "THE..." AND NOTE 3. | SM 02.25.02 | TOLERANCES UNLESS NOTED | FILE # RXLX-A,B,C | DWN: P.B. | APP: |
| B | CHANGED FILE NO. AND TITLE BLOCK | SM 11.09.01 | .XX=±.010 .XXX=±.005 FRAC=±1/64 ANG=±1' | MAT'L: SEE NOTES | DT: 05-05-94 | DT: |
| A | DIM L CHANGED; FRACTIONS REMOVED FROM MAX SHAFT DIA AND MIN HOUSING BORE COLUMNS; ASTERISKS ADDED | PB 111694 | | RE: RICHCO, INC. | RICHCO INC. PO BOX 804238, CHICAGO, 60680 (773) 539-4060 | |
| REV | DESCRIPTION | ENGR DATE | | | PART # | PRINT TYPE |
| | | | | | SEE TABLE | CA |