



Chipsmall Limited consists of a professional team with an average of over 10 year of expertise in the distribution of electronic components. Based in Hongkong, we have already established firm and mutual-benefit business relationships with customers from,Europe,America and south Asia,supplying obsolete and hard-to-find components to meet their specific needs.

With the principle of “Quality Parts,Customers Priority,Honest Operation,and Considerate Service”,our business mainly focus on the distribution of electronic components. Line cards we deal with include Microchip,ALPS,ROHM,Xilinx,Pulse,ON,Everlight and Freescale. Main products comprise IC,Modules,Potentiometer,IC Socket,Relay,Connector.Our parts cover such applications as commercial,industrial, and automotives areas.

We are looking forward to setting up business relationship with you and hope to provide you with the best service and solution. Let us make a better world for our industry!



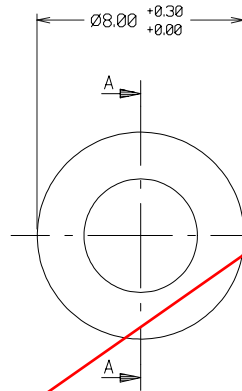
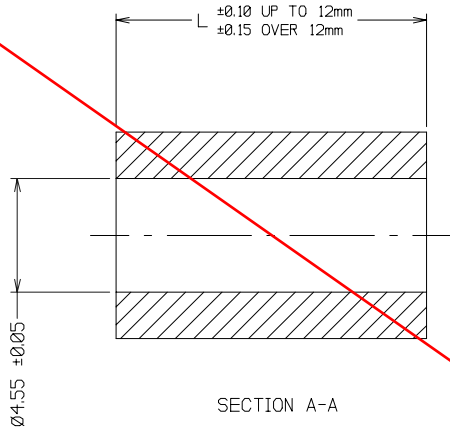
Contact us

Tel: +86-755-8981 8866 Fax: +86-755-8427 6832

Email & Skype: info@chipsmall.com Web: www.chipsmall.com

Address: A1208, Overseas Decoration Building, #122 Zhenhua RD., Futian, Shenzhen, China





ORDER CODE:
R40-661XX00
LENGTH IN mm

OBSOLETE

SECTION A-A

NOTES:
1. REMOVE ALL BURRS.

PART No.	L	PART No.	L
R40-6610300	3.00	R40-6611600	16.00
R40-6610400	4.00	R40-6611800	18.00
R40-6610500	5.00	R40-6612000	20.00
R40-6610600	6.00	R40-6612500	25.00
R40-6610700	7.00	R40-6613000	30.00
R40-6610800	8.00		
R40-6610900	9.00		
R40-6611000	10.00		
R40-6611100	11.00		
R40-6611200	12.00		
R40-6611300	13.00		
R40-6611400	14.00		
R40-6611500	15.00		

3	06.03.97	3786
2	14.12.95	3130
1	15.11.95	----
ISS.	DATE	C/N
APPROVED:		
CHECKED:		
DRAWN: W. BOURNE		
CUSTOMER REF.		
ASSEMBLY DRG:		



HARWIN INC U.S.A. TEL: (812) 285 0055 FAX: (812) 285 0056	HARWIN PLC U.K. TEL: (01705) 370451 FAX: (01705) 324010	HARWIN PTE SINGAPORE TEL: 7794909 FAX: 7793868
--	--	---

TOLERANCES
X. = ±1mm
X.X = ±0.25mm
X.XX = ±0.10mm
X.XXX = ±0.01mm
ANGLES = ±1°
UNLESS STATED

MATERIAL:
NYLON 66 (PLM1561)

FINISH: CLEAN

S/AREA: mm²

TITLE:
M4 CIRCULAR
CLEARANCE SPACER

DRAWING NUMBER:
R40-661XX00

SHT
OF