



Chipsmall Limited consists of a professional team with an average of over 10 year of expertise in the distribution of electronic components. Based in Hongkong, we have already established firm and mutual-benefit business relationships with customers from,Europe,America and south Asia,supplying obsolete and hard-to-find components to meet their specific needs.

With the principle of “Quality Parts,Customers Priority,Honest Operation,and Considerate Service”,our business mainly focus on the distribution of electronic components. Line cards we deal with include Microchip,ALPS,ROHM,Xilinx,Pulse,ON,Everlight and Freescale. Main products comprise IC,Modules,Potentiometer,IC Socket,Relay,Connector.Our parts cover such applications as commercial,industrial, and automotives areas.

We are looking forward to setting up business relationship with you and hope to provide you with the best service and solution. Let us make a better world for our industry!



Contact us

Tel: +86-755-8981 8866 Fax: +86-755-8427 6832

Email & Skype: info@chipsmall.com Web: www.chipsmall.com

Address: A1208, Overseas Decoration Building, #122 Zhenhua RD., Futian, Shenzhen, China



R4E225 Series

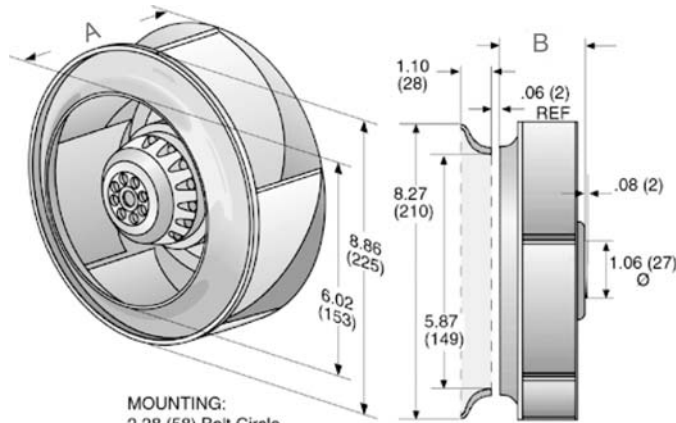
Motorized Impeller



Ø 225mm Backward Curved

- Backward curved centrifugal fans feature extremely long blades. These impellers are highly resistant to dirt and dust. Their hydraulic efficiency is very high.
- Impeller completely made of plastic PA 6.
- Maintenance-free ball bearings.
- Insulation class "B". Cable exit: variable. Direction of rotation is CW as seen from intake side.
- UL, CSA, VDE approvals on most models, please contact application engineering.
- Recommended inlet ring:
R4E225-AC/AI = 9607-2-4013
R4E225-AT = 96358-2-4013

Part Number	Curve	CFM @ 0	VAC	Hertz	Power (W)	dBA	Max Amb. Temp. C	Bearing Type	Features	Capacitor (µF)	Wgt. (lbs)
R4E225-AC15-18	2	410	115	60	63	54	75	Ball	Leads	6	4.00
R4E225-AT15-10	3	450	115	60	50	58	70	Ball	Leads	5	4.19
R4E225-AI01-10	1	310	230	50/60	45	62	75	Ball	Leads	-	3.50
R4E225-AT01-05	3	450	230	50/60	41	59	80	Ball	Leads	1.5	4.19



MOUNTING:
2.28 (58) Bolt Circle
4 x 90° M4 Holes

Type	A	B
R4E225-AC/AI	24.9 (63.3)	2.72 (69)
R4E225-AT	3.52(89.3)	3.90 (99)

