



Chipsmall Limited consists of a professional team with an average of over 10 year of expertise in the distribution of electronic components. Based in Hongkong, we have already established firm and mutual-benefit business relationships with customers from,Europe,America and south Asia,supplying obsolete and hard-to-find components to meet their specific needs.

With the principle of "Quality Parts,Customers Priority,Honest Operation,and Considerate Service",our business mainly focus on the distribution of electronic components. Line cards we deal with include Microchip,ALPS,ROHM,Xilinx,Pulse,ON,Everlight and Freescale. Main products comprise IC,Modules,Potentiometer,IC Socket,Relay,Connector.Our parts cover such applications as commercial,industrial, and automotives areas.

We are looking forward to setting up business relationship with you and hope to provide you with the best service and solution. Let us make a better world for our industry!



## Contact us

Tel: +86-755-8981 8866 Fax: +86-755-8427 6832

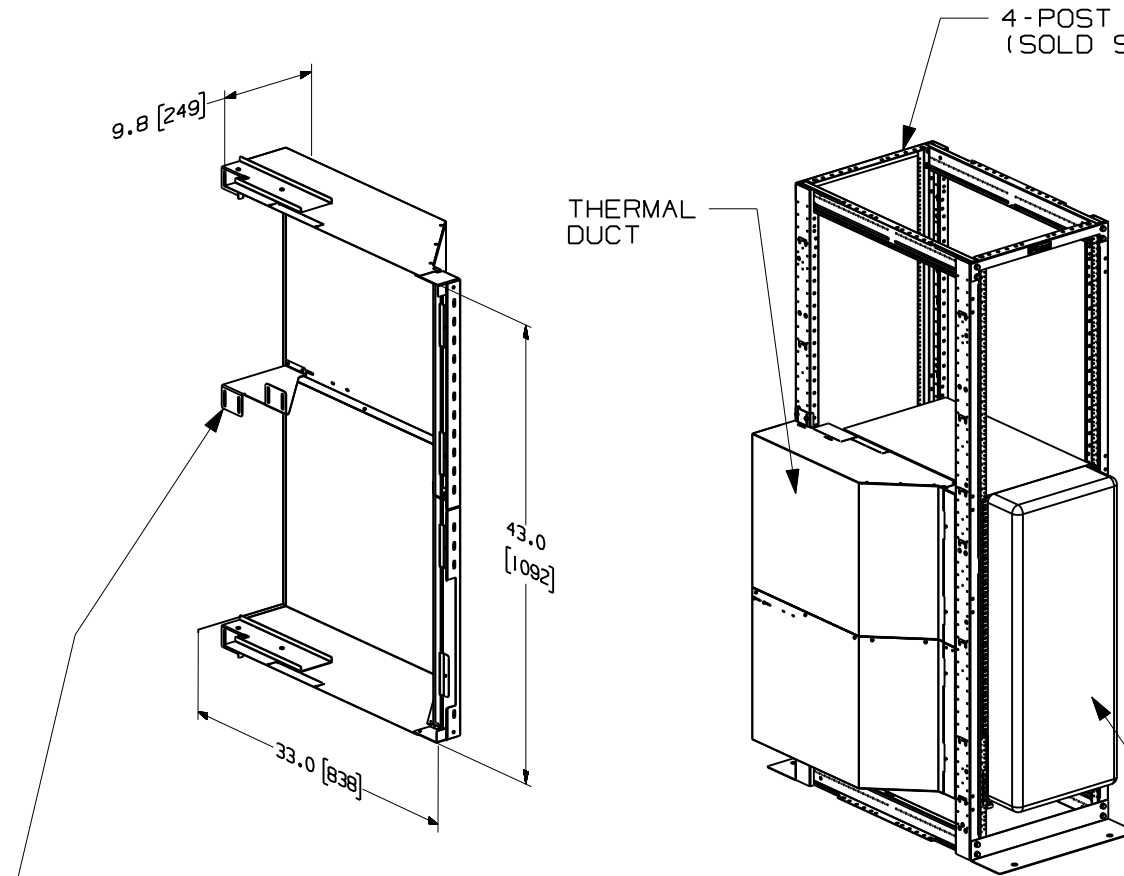
Email & Skype: info@chipsmall.com Web: www.chipsmall.com

Address: A1208, Overseas Decoration Building, #122 Zhenhua RD., Futian, Shenzhen, China



THIS COPY IS PROVIDED ON A RESTRICTED BASIS AND IS NOT TO BE USED IN ANY WAY DETRIMENTAL TO THE INTERESTS OF PANDUIT CORP.

PANDUIT P/N	WEIGHT
R4PAE2	30.7 LBS/ EA. (14.0 kg/ EA.)



NOTES:

- VISIT OUR ON-LINE CATALOG AT [WWW.PANDUIT.COM](http://WWW.PANDUIT.COM) FOR A CURRENT LIST OF PRODUCTS APPLICABLE FOR USE WITH THIS PART.
- COMPONENTS:
  - (1) TOP DUCT SECTION
  - (1) BOTTOM DUCT SECTION
  - (1) TOP FRONT MOUNTING BRACKET
  - (1) BOTTOM FRONT MOUNTING BRACKET
  - (2) REAR MOUNTING BRACKETS
  - (1) REAR CENTER MOUNTING BRACKET
  - (12) #8-32 X 1/4" SCREWS
  - (2) PACKS OF (4) #12-24 SCREWS
  - (2) #10-32 X 1/2" SCREWS
  - (2) #10-32 NUTS WITH STAR WASHERS
- DIMENSIONS IN PARENTHESIS ARE METRIC.
- MOUNTING BRACKETS ARE ADJUSTABLE SO THAT THE DUCT MAY FIT 30", 36", OR 42" DEEP 4 POST RACK.

SLOTS IN DUCT AND REVERSIBLE CENTER BRACKET ALLOW DUCT TO BE USE ON 30", 36" AND 42" 4 POST RACKS

MODEL FILENAME	V10679JF/01
CAD FILENAME/LAYERS	V10679JF_DC/01A
<h1>PANDUIT</h1> CORP. TINLEY PARK, ILLINOIS	
EXHAUST DUCT FOR A 4 POST RACK AND 7018 SWITCH (R4PAE2) CUSTOMER DRAWING	

UNLESS OTHERWISE SPECIFIED,  
 DIMENSIONAL TOLERANCES ARE:  
 (.X) ±                      (.XXX) ±  
 (.XX) ±                     ANGLES ±

UNLESS OTHERWISE SPECIFIED,  
 ALL DIMENSIONS ARE GIVEN  
 IN INCHES, THIRD ANGLE PROJECTION.

DRAWN BY BAME	MAT'L:  STEEL	SCALE NONE
DATE 5-31-11		DRAWING NO. V10679JF-DC
CHK'D		DWG A SIZE

REV	DATE	BY	CHK	DESCRIPTION	ECN	R	CUST	SUP	OTH
O1A	5-31-11	BAME		DRAWING RELEASED	V10679JF-DC				