



Chipsmall Limited consists of a professional team with an average of over 10 year of expertise in the distribution of electronic components. Based in Hongkong, we have already established firm and mutual-benefit business relationships with customers from,Europe,America and south Asia,supplying obsolete and hard-to-find components to meet their specific needs.

With the principle of “Quality Parts,Customers Priority,Honest Operation,and Considerate Service”,our business mainly focus on the distribution of electronic components. Line cards we deal with include Microchip,ALPS,ROHM,Xilinx,Pulse,ON,Everlight and Freescale. Main products comprise IC,Modules,Potentiometer,IC Socket,Relay,Connector.Our parts cover such applications as commercial,industrial, and automotives areas.

We are looking forward to setting up business relationship with you and hope to provide you with the best service and solution. Let us make a better world for our industry!



Contact us

Tel: +86-755-8981 8866 Fax: +86-755-8427 6832

Email & Skype: info@chipsmall.com Web: www.chipsmall.com

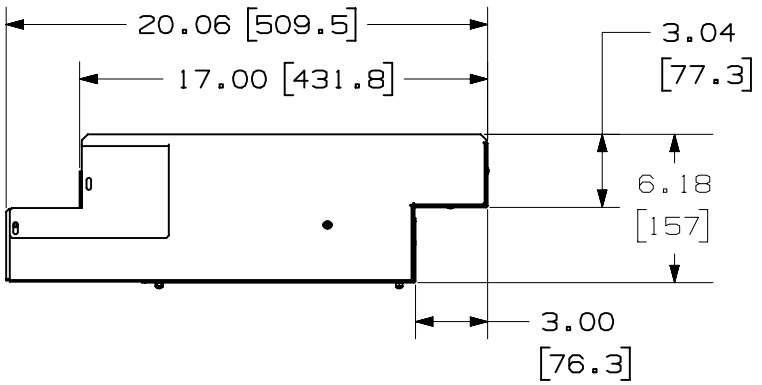
Address: A1208, Overseas Decoration Building, #122 Zhenhua RD., Futian, Shenzhen, China



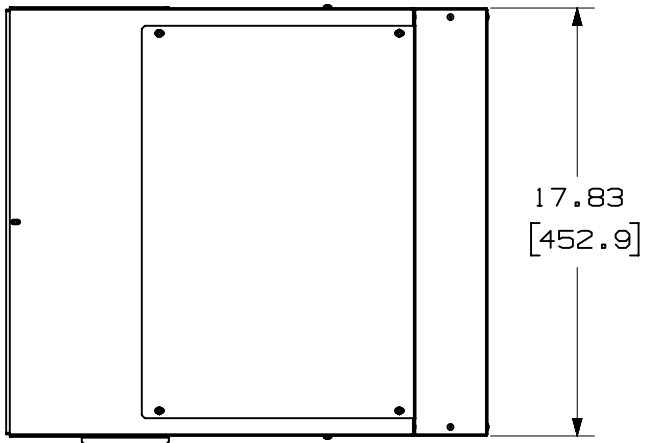
2

1

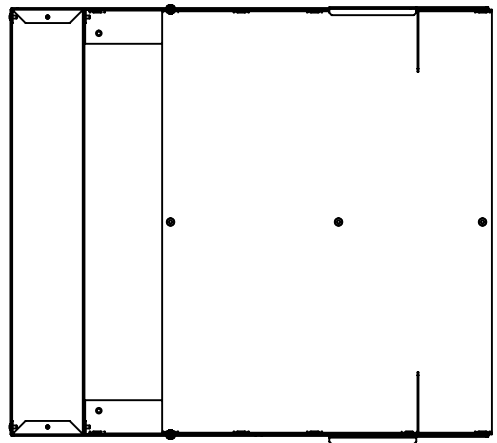
THIS COPY IS PROVIDED ON A RESTRICTED BASIS AND IS NOT TO BE USED IN ANY WAY DETRIMENTAL TO THE INTERESTS OF PANDUIT CORP.



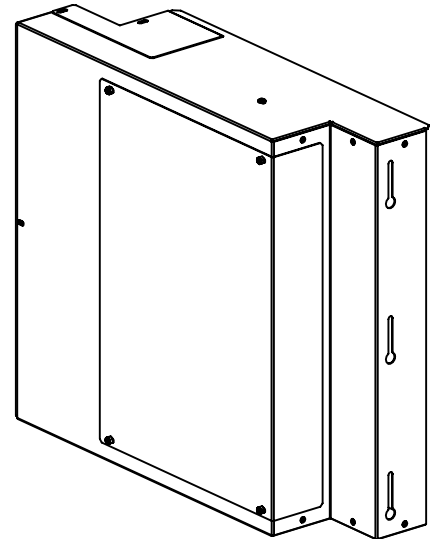
- NOTES:
- VISIT OUR ON-LINE CATALOG AT WWW.PANDUIT.COM FOR A CURRENT LIST OF PRODUCTS APPLICABLE FOR USE WITH THIS PART.
 - COMPONENTS:
 - MAIN DUCT
 - DUCT EXTENSION
 - REMOVABLE OUTER ACCESS PANEL
 - RECESSED SWITCH MOUNT BRACKETS
 - DIMENSIONS IN PARENTHESES ARE METRIC.
 - PANDUIT REQUIRES A 3" SETBACK OF THE SWITCH MOUNTED TO THE 4 POST RACK TO IMPROVE AIRFLOW.



OUTSIDE



INSIDE



00B	7/14/14	RYB	RyB		RELEASED TO PRODUCTION	13V389AE_DC
00A	10/31/13	RYB			RELEASED FOR REVIEW	

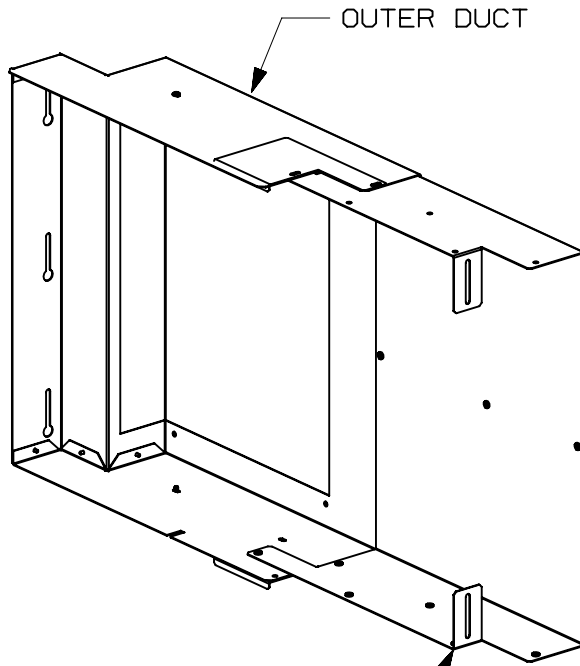
TITLE	
R4PAE4 EXHAUST DUCT	
CUSTOMER DRAWING	
ITEM REVISION NAME	13V389AE/00
DATASET FILE NAME	13V389AE_DC/00B
UNLESS OTHERWISE SPECIFIED, DIMENSIONAL TOLERANCES ARE: IN [mm]	
.x ± .1 [2.54]	.xxx ± .005 [.127]
.xx ± .01 [.25]	ANGLES ± 5 °
THIRD ANGLE PROJECTION	
DRAWING NUMBER: 13V389AE_DC	
DRAWN BY	RYB
DATE	10/31/13
CHK	RyB
SCALE	NONE
SHT 1 OF 2	
SIZE	A

REV	DATE	BY	CHK	APR	DESCRIPTION	ECN
-----	------	----	-----	-----	-------------	-----

2

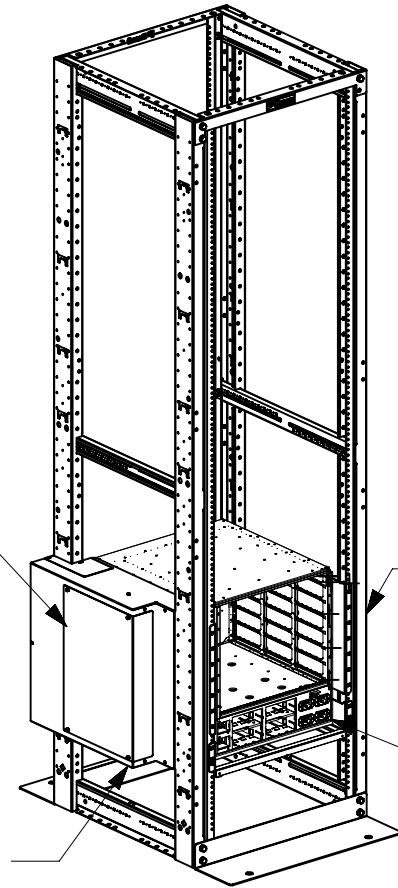
1

THIS COPY IS PROVIDED ON A RESTRICTED BASIS AND IS NOT TO BE USED IN ANY WAY DETRIMENTAL TO THE INTERESTS OF PANDUIT CORP.



DUCT EXTENSION ALLOWS
DUCT TO BE USED ON
23", 30" AND 36" DEEP RACKS

REMOVABLE
OUTER
PANEL



4-POST RACK
(SOLD SEPARATELY)

CISCO CATALYST
6807-XL SWITCH
(NOT INCLUDED)

EXHAUST DUCT

00B	7/14/14	RYB	RYB		SEE SHEET 1 OF 2	13V389AE_DC
00A	10/31/13	RYB			SEE SHEET 1 OF 2	
REV	DATE	BY	CHK	APR	DESCRIPTION	ECN

TITLE		R4PAE4 EXHAUST DUCT	
CUSTOMER DRAWING			
ITEM REVISION NAME		13V389AE/00	
DATASET FILE NAME		13V389AE_DC/00B	
UNLESS OTHERWISE SPECIFIED, DIMENSIONAL TOLERANCES ARE: IN [mm]		MATERIAL: SEE NOTES	
.x ± .1 [2.54] .xxx ± .005 [.127] .xx ± .01 [.25] ANGLES ± 5 °			
		DRAWING NUMBER: 13V389AE_DC	
DRAWN BY	DATE	CHK	SCALE
RYB	10/31/13	RYB	NONE
SHT 2 OF 2			SIZE A