



Chipsmall Limited consists of a professional team with an average of over 10 year of expertise in the distribution of electronic components. Based in Hongkong, we have already established firm and mutual-benefit business relationships with customers from,Europe,America and south Asia,supplying obsolete and hard-to-find components to meet their specific needs.

With the principle of “Quality Parts,Customers Priority,Honest Operation,and Considerate Service”,our business mainly focus on the distribution of electronic components. Line cards we deal with include Microchip,ALPS,ROHM,Xilinx,Pulse,ON,Everlight and Freescale. Main products comprise IC,Modules,Potentiometer,IC Socket,Relay,Connector.Our parts cover such applications as commercial,industrial, and automotives areas.

We are looking forward to setting up business relationship with you and hope to provide you with the best service and solution. Let us make a better world for our industry!



Contact us

Tel: +86-755-8981 8866 Fax: +86-755-8427 6832

Email & Skype: info@chipsmall.com Web: www.chipsmall.com

Address: A1208, Overseas Decoration Building, #122 Zhenhua RD., Futian, Shenzhen, China



Customer Information Sheet

DRAWING No.: R50-300XX02

SHEET 2 OF 2

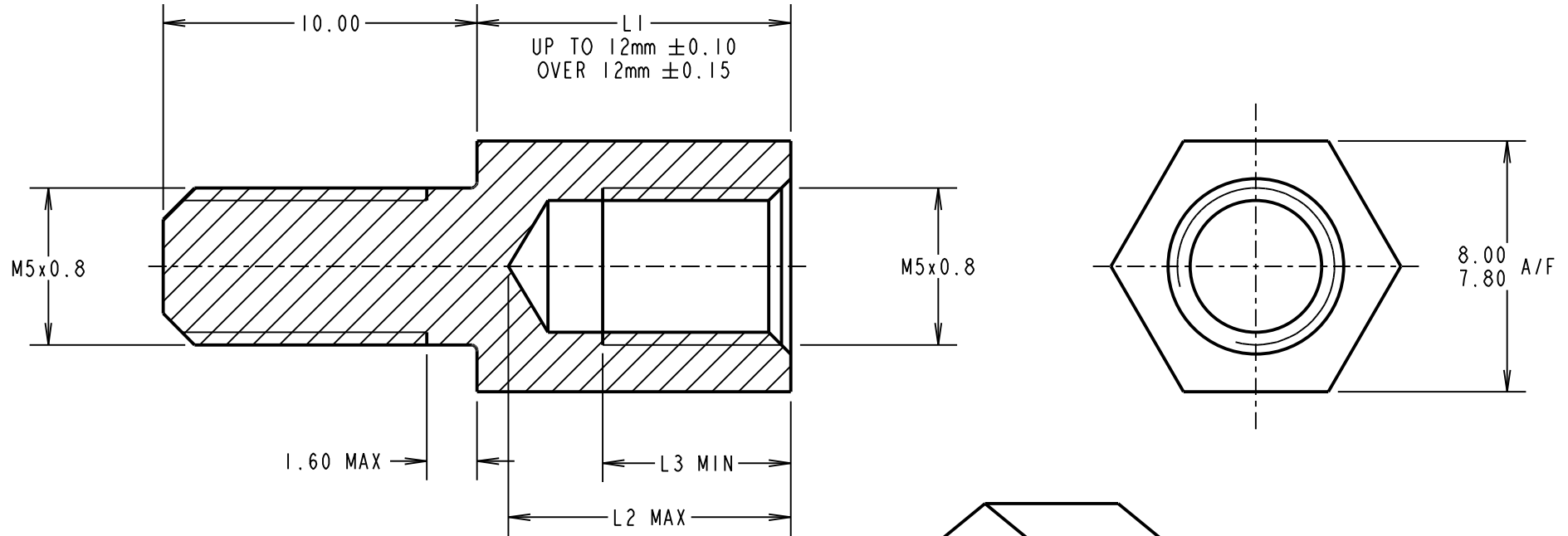
IF IN DOUBT - ASK

Ⓒ

NOT TO SCALE

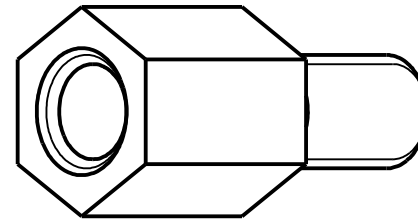
THIRD ANGLE PROJECTION

ALL DIMENSIONS IN mm



PART No.	L1	L2	L3
R50-3000802	8.00	7.3	4.00
R50-3000902	9.00	8.3	5.50
R50-3001002	10.00	9.3	6.00
R50-3001102	11.00	10.3	8.00
R50-3001202	12.00	11.3	8.00
R50-3001302	13.00	12.3	8.00
R50-3001402	14.00	13.3	10.00
R50-3001502	15.00	14.5	10.00

PART No.	L1	L2	L3
R50-3001602	16.00	14.5	10.00
R50-3001802	18.00	14.5	10.00
R50-3002002	20.00	14.5	10.00
R50-3002502	25.00	14.5	10.00
R50-3003002	30.00	14.5	10.00
R50-3003502	35.00	14.5	10.00
R50-3004002	40.00	14.5	10.00
R50-3005002	50.00	14.5	10.00



ORDER CODE:
R50-300XX02
LENGTH L1 IN mm _____

MSP	9	21.07.15	13021
NAME	ISS.	DATE	C/NOTE
APPROVED: M.PERREN			
CHECKED: S.BENNETT			
DRAWN: A. LIOTTA			
CUSTOMER REF.:			
ASSEMBLY DRG:			

HARWIN

www.harwin.com
technical@harwin.com

THIS DRAWING AND ANY INFORMATION OR DESCRIPTIVE MATTER SET OUT HEREON ARE CONFIDENTIAL AND COPYRIGHT PROPERTY OF THE HARWIN GROUP AND MUST NOT BE DISCLOSED, LOANED, COPIED OR USED FOR MANUFACTURING, TENDERING OR FOR ANY OTHER PURPOSE WITHOUT THEIR WRITTEN PERMISSION.

TOLERANCES
X. = ±1mm
X.X = ±0.50mm
X.XX = ±0.10mm
X.XXX = ±0.01mm
ANGLES = ±5°
UNLESS STATED

MATERIAL:
BRASS CW614N M TO BS EN 12164 (CuZn39Pb3)
FINISH: NICKEL
S/AREA: mm²

TITLE:
M5 HEXAGONAL MALE/FEMALE SPACER
DRAWING NUMBER:
R50-300XX02

SHT
2 OF 2