



Chipsmall Limited consists of a professional team with an average of over 10 year of expertise in the distribution of electronic components. Based in Hongkong, we have already established firm and mutual-benefit business relationships with customers from,Europe,America and south Asia,supplying obsolete and hard-to-find components to meet their specific needs.

With the principle of “Quality Parts,Customers Priority,Honest Operation,and Considerate Service”,our business mainly focus on the distribution of electronic components. Line cards we deal with include Microchip,ALPS,ROHM,Xilinx,Pulse,ON,Everlight and Freescale. Main products comprise IC,Modules,Potentiometer,IC Socket,Relay,Connector.Our parts cover such applications as commercial,industrial, and automotives areas.

We are looking forward to setting up business relationship with you and hope to provide you with the best service and solution. Let us make a better world for our industry!



## Contact us

Tel: +86-755-8981 8866 Fax: +86-755-8427 6832

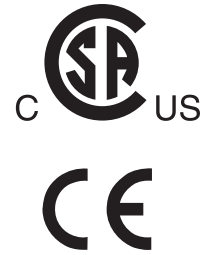
Email & Skype: info@chipsmall.com Web: www.chipsmall.com

Address: A1208, Overseas Decoration Building, #122 Zhenhua RD., Futian, Shenzhen, China



# Polyester Modular Enclosures - NEMA 4X

## R130 Series Enclosures


**Corrosion Resistant Junction Boxes**

### Application

- Designed for use as instrument enclosures, electrical junction boxes or terminal wiring enclosures.
- Provide outstanding protection against dust, oil and pressurized water.
- Impervious to atmospheric and marine corrosion.

### Standards

- CSA Type 4, 4X
- **Complies with**
  - NEMA 1, 2, 3, 3R, 4, 4X, 5, 12, 13
  - IEC 60529, IP66
- VO Flammability Rating

### Construction

- Two piece molded fiberglass reinforced polyester construction.
- Captive polyfibre cover screws are provided with a standard slot head.
- Cover screws fasten into pre-threaded holes.
- The threaded cover screw holes also provide single channel access to rear mounting positions.
- Recessed neoprene gasket with tongue and groove construction is oil and petroleum resistant.
- Threaded stainless steel inserts provide for internal mounting.
- Spring loaded stainless steel hinge pins are standard, allowing for quick lid removal.

### Finish

- Light beige RAL 7032

### Accessories

- External mounting feet...*see next page*
- Inner panels...*see next page*
- Cross rails...*see next page*
- Bonded acrylic glass windows are available on special request.

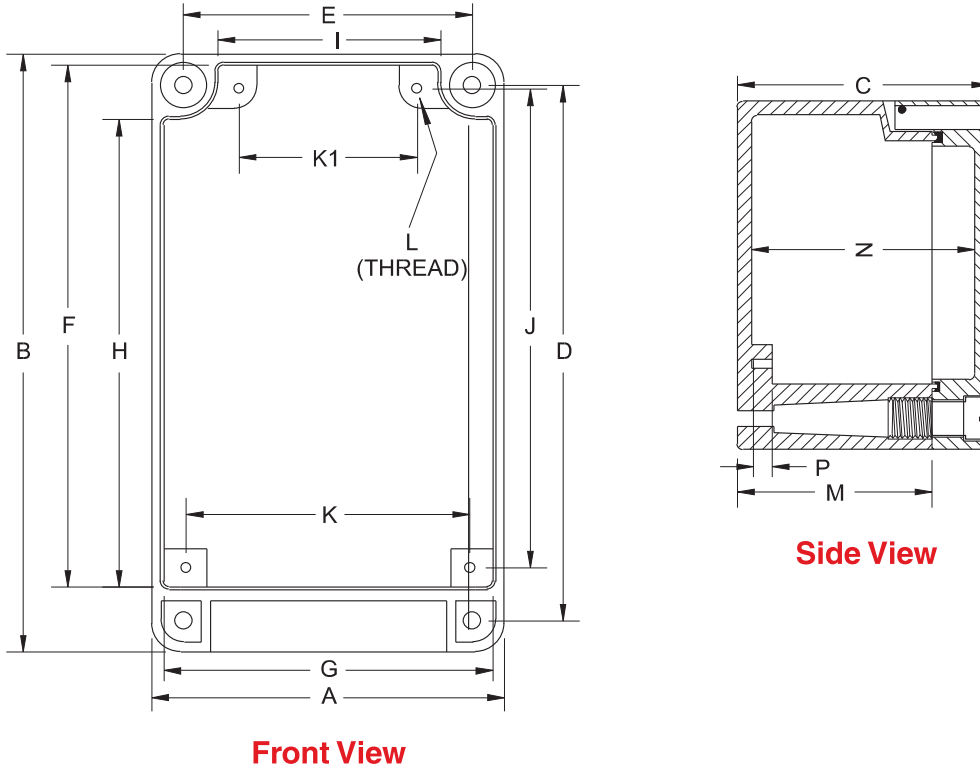
| Part No.            | Series | Units | Width |       | Length |       | Height |       |       |       |       |       |      |      |    |      |      |      |
|---------------------|--------|-------|-------|-------|--------|-------|--------|-------|-------|-------|-------|-------|------|------|----|------|------|------|
|                     |        |       | A     | B     | C      | D     | E      | F     | G     | H     | I     | J     | K    | K1   | L  | M    | N    | P    |
| <b>R130-120-000</b> | PD-120 | inch  | 4.72  | 5.51  | 3.94   | 4.65  | 3.86   | 4.33  | 4.25  | 3.62  | 2.81  | 3.82  | 3.74 | 2.28 |    | 2.76 | 3.62 | 0.28 |
|                     |        | mm    | 120   | 140   | 100    | 118   | 98     | 110   | 108   | 92    | 71.5  | 97    | 95   | 58   | M6 | 70   | 92   | 7    |
| <b>R130-122-000</b> | PD-122 | inch  | 4.72  | 7.87  | 3.94   | 7.01  | 3.86   | 6.69  | 4.25  | 5.98  | 2.81  | 6.18  | 3.74 | 2.28 |    | 2.76 | 3.62 | 0.28 |
|                     |        | mm    | 120   | 200   | 100    | 178   | 98     | 170   | 108   | 152   | 71.5  | 157   | 95   | 58   | M6 | 70   | 92   | 7    |
| <b>R130-124-000</b> | PD-124 | inch  | 4.72  | 10.24 | 3.94   | 9.37  | 3.86   | 9.06  | 4.25  | 8.35  | 2.81  | 8.54  | 3.74 | 2.28 |    | 2.76 | 3.62 | 0.28 |
|                     |        | mm    | 120   | 260   | 100    | 238   | 98     | 230   | 108   | 212   | 71.5  | 217   | 95   | 58   | M6 | 70   | 92   | 7    |
| <b>R130-160-000</b> | PD-160 | inch  | 6.30  | 7.09  | 3.94   | 6.22  | 5.43   | 5.91  | 5.83  | 5.20  | 4.39  | 5.39  | 5.31 | 3.86 |    | 2.76 | 3.62 | 0.28 |
|                     |        | mm    | 160   | 180   | 100    | 158   | 138    | 150   | 148   | 132   | 111.5 | 137   | 135  | 98   | M6 | 70   | 92   | 7    |
| <b>R130-162-000</b> | PD-162 | inch  | 6.30  | 10.24 | 3.94   | 9.37  | 5.43   | 9.06  | 5.83  | 8.35  | 4.39  | 8.54  | 5.31 | 3.86 |    | 2.76 | 3.62 | 0.28 |
|                     |        | mm    | 160   | 260   | 100    | 238   | 138    | 230   | 148   | 212   | 111.5 | 217   | 135  | 98   | M6 | 70   | 92   | 7    |
| <b>R130-164-000</b> | PD-164 | inch  | 6.30  | 13.39 | 3.94   | 12.52 | 5.43   | 12.20 | 5.83  | 11.50 | 4.39  | 11.69 | 5.31 | 3.86 |    | 2.76 | 3.62 | 0.28 |
|                     |        | mm    | 160   | 340   | 100    | 318   | 138    | 310   | 148   | 292   | 111.5 | 297   | 135  | 98   | M6 | 70   | 92   | 7    |
| <b>R130-200-000</b> | PD-200 | inch  | 7.87  | 8.66  | 4.72   | 7.80  | 7.01   | 7.46  | 7.38  | 6.73  | 5.94  | 6.97  | 6.89 | 5.43 |    | 3.54 | 4.41 | 0.28 |
|                     |        | mm    | 200   | 220   | 120    | 198   | 178    | 189.5 | 187.5 | 171   | 151   | 177   | 175  | 138  | M6 | 90   | 112  | 7    |
| <b>R130-202-000</b> | PD-202 | inch  | 7.87  | 12.60 | 4.72   | 11.73 | 7.01   | 11.40 | 7.38  | 10.67 | 5.94  | 10.91 | 6.89 | 5.43 |    | 3.54 | 4.41 | 0.28 |
|                     |        | mm    | 200   | 320   | 120    | 298   | 178    | 289.5 | 187.5 | 271   | 151   | 277   | 175  | 138  | M6 | 90   | 112  | 7    |

 Technical references and CAD downloads available at [www.hammondmfg.com](http://www.hammondmfg.com)

All dimensions in inches unless specified otherwise

# Polyester Modular Enclosures - NEMA 4X

## R130 Series Enclosures



### Accessories

| Part No.     | External Feet (Set of 4)<br>Stainless Steel | Inner Panel (1.5 mm)<br>Steel, Zinc Plated | Cross Rail (Pair)<br>(Low Bottom Part) |
|--------------|---|--|--|
| R130-120-000 | R501-000-001                                | R530-120-000                               | R531-120-000                           |
| R130-122-000 | R501-000-001                                | R530-122-000                               | R531-120-000                           |
| R130-124-000 | R501-000-001                                | R530-124-000                               | R531-120-000                           |
| R130-160-000 | R501-000-001                                | R530-160-000                               | R531-160-000                           |
| R130-162-000 | R501-000-001                                | R530-162-000                               | R531-160-000                           |
| R130-164-000 | R501-000-001                                | R530-164-000                               | R531-160-000                           |
| R130-200-000 | R501-000-001                                | R530-200-000                               | R531-200-000                           |
| R130-202-000 | R501-000-001                                | R530-202-000                               | R531-200-000                           |