



Chipsmall Limited consists of a professional team with an average of over 10 year of expertise in the distribution of electronic components. Based in Hongkong, we have already established firm and mutual-benefit business relationships with customers from,Europe,America and south Asia,supplying obsolete and hard-to-find components to meet their specific needs.

With the principle of “Quality Parts,Customers Priority,Honest Operation,and Considerate Service”,our business mainly focus on the distribution of electronic components. Line cards we deal with include Microchip,ALPS,ROHM,Xilinx,Pulse,ON,Everlight and Freescale. Main products comprise IC,Modules,Potentiometer,IC Socket,Relay,Connector.Our parts cover such applications as commercial,industrial, and automotives areas.

We are looking forward to setting up business relationship with you and hope to provide you with the best service and solution. Let us make a better world for our industry!



## Contact us

Tel: +86-755-8981 8866 Fax: +86-755-8427 6832

Email & Skype: info@chipsmall.com Web: www.chipsmall.com

Address: A1208, Overseas Decoration Building, #122 Zhenhua RD., Futian, Shenzhen, China



# Customer Information Sheet

DRAWING No.: R6003-00 - R6022-00

SHEET 2 OF 2

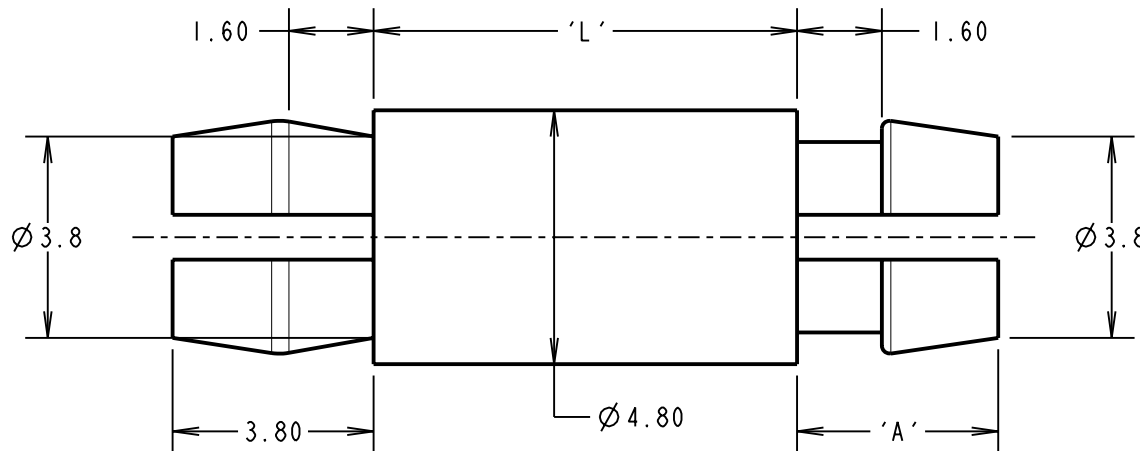
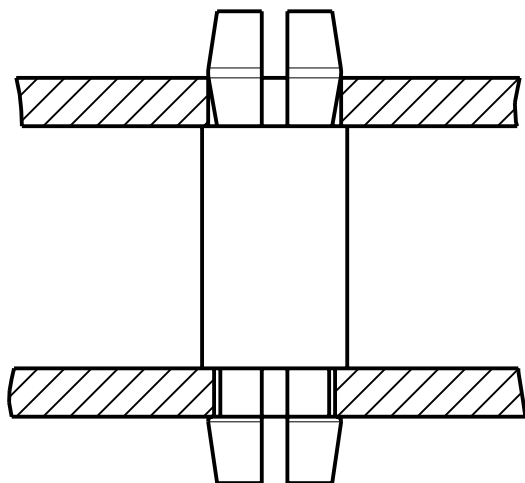
IF IN DOUBT - ASK

©

NOT TO SCALE

THIRD ANGLE PROJECTION

ALL DIMENSIONS IN mm



PART No.	'L'	'A'
R6003-00	3.20	3.80
R6006-00	6.30	3.80
R6008-00	8.00	3.80
R6010-00	10.50	3.80
R6013-00	12.70	5.60
R6022-00	22.20	5.60

**NOTES:**

- SUITABLE FOR 1.6mm THICK PCB.
- RECOMMENDED HOLE SIZE =  $\varnothing 4.0\text{mm} \pm 0.1\text{mm}$  FOR BOTH ENDS.

ORDER CODE:  
**R60XX-00**  
 LENGTH 'L' IN mm

CP	8	04.03.10	10702
NAME	ISS.	DATE	C/NOTE
APPROVED: C. PENROSE			
CHECKED: R. ADDE			
DRAWN: J. KEIR			
CUSTOMER REF.:			
ASSEMBLY DRG:			

**HARWIN**

HARWIN USA TEL: 603 893 5376 FAX: 603 893 5396 mis@harwin.com	HARWIN Europe (UK) TEL: 023 9231 4545 FAX: 023 9231 4590 mis@harwin.co.uk	HARWIN Asia TEL: +65 6 779 4909 FAX: +65 6 779 3868 mis@harwin.com.sg
--	--	--

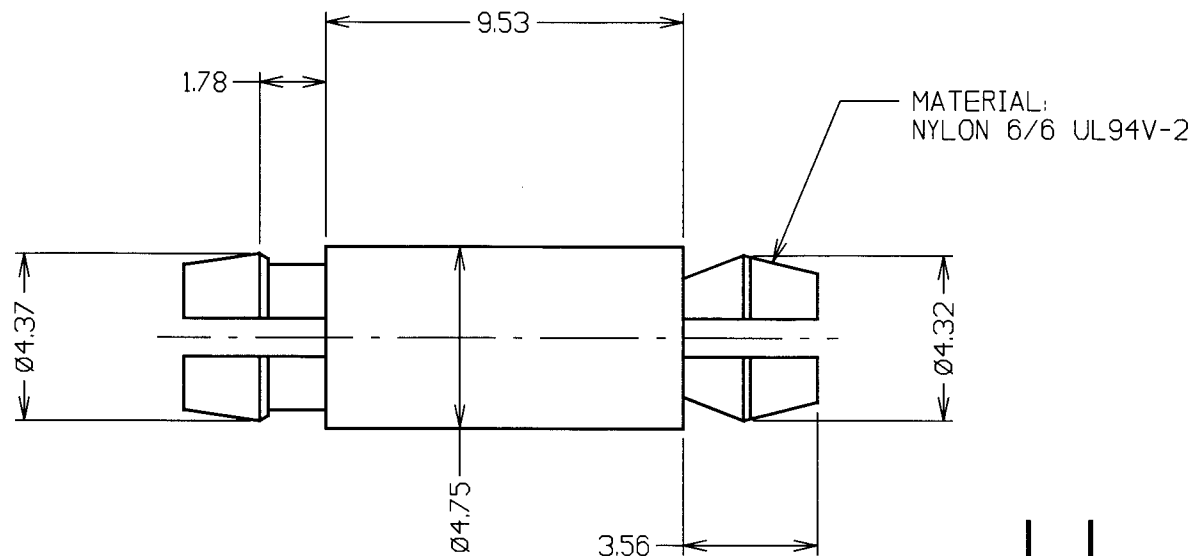
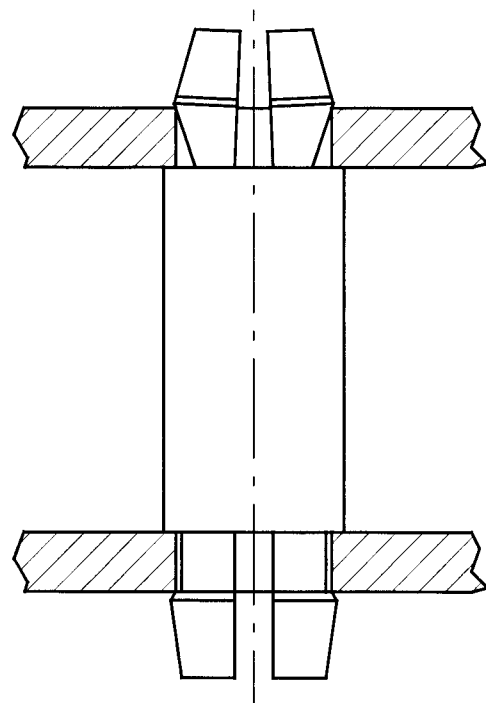
THIS DRAWING AND ANY INFORMATION OR DESCRIPTIVE MATTER SET OUT HEREON ARE CONFIDENTIAL AND COPYRIGHT PROPERTY OF THE HARWIN GROUP AND MUST NOT BE DISCLOSED, LOANED, COPIED OR USED FOR MANUFACTURING, TENDERING OR FOR ANY OTHER PURPOSE WITHOUT THEIR WRITTEN PERMISSION.

**TOLERANCES**  
 X. =  $\pm 1\text{mm}$   
 X.X =  $\pm 0.25\text{mm}$   
 X.XX =  $\pm 0.10\text{mm}$   
 X.XXX =  $\pm 0.01\text{mm}$   
 ANGLES =  $\pm 5^\circ$   
 UNLESS STATED

**MATERIAL:**  
 NYLON 66, UL94V-2  
 NATURAL  
**FINISH:** CLEAN  
**S/AREA:** mm<sup>2</sup>

**TITLE:**  
 PLASTIC SPACER  
 SELF LOCKING  
**DRAWING NUMBER:**  
**R6003-00 - R6022-00**  
 SHT 2 OF 2

CUSTOMER INFORMATION SHEET



5	03.03.97	----
ISS.	DATE	C/N
APPROVED:		
CHECKED: <i>WJSB</i>		
DRAWN: A. LIOTTA		
CUSTOMER REF.		
ASSEMBLY DRG:		

NOTES:

1. SUTABLE FOR 1.6mm THICK PCB.
2. RECOMMENDED HOLE SIZE Ø4.0mm FOR BOTH ENDS.
3. ALL TOLERANCES ±0.13mm UNLESS OTHERWISE STATED.

**HARWIN**

HARWIN INC U.S.A. TEL: (812) 285 0055 FAX: (812) 285 0056	HARWIN PLC U.K. TEL: 01705 370451 FAX: 01705 314590	HARWIN PTE SINGAPORE TEL: 65 7794909 FAX: 65 7793868	HARWIN CONNECTORS KOREA TEL: 822 521 0747 FAX: 822 521 0749
--	--	---	--

TOLERANCES X. = ±1mm X.X = ±0.25mm X.XX = ±0.10mm X.XXX = ±0.01mm ANGLES = ±1° UNLESS STATED
--

MATERIAL: SEE ABOVE
FINISH: CLEAN
S/AREA: mm <sup>2</sup>

TITLE: PLASTIC SPACER SELF LOCKING
DRAWING NUMBER: R6009-00
SHT 2 OF 2